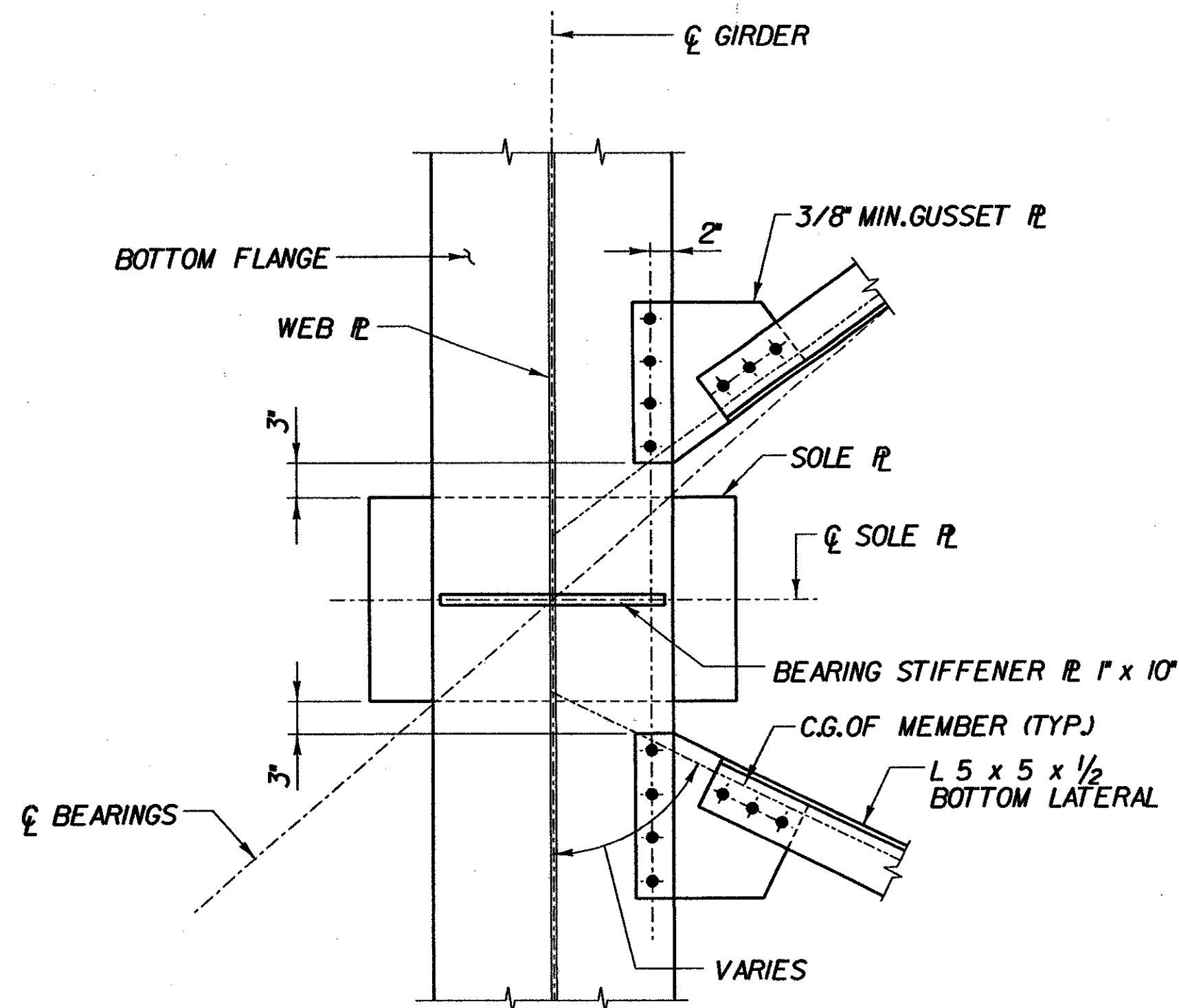
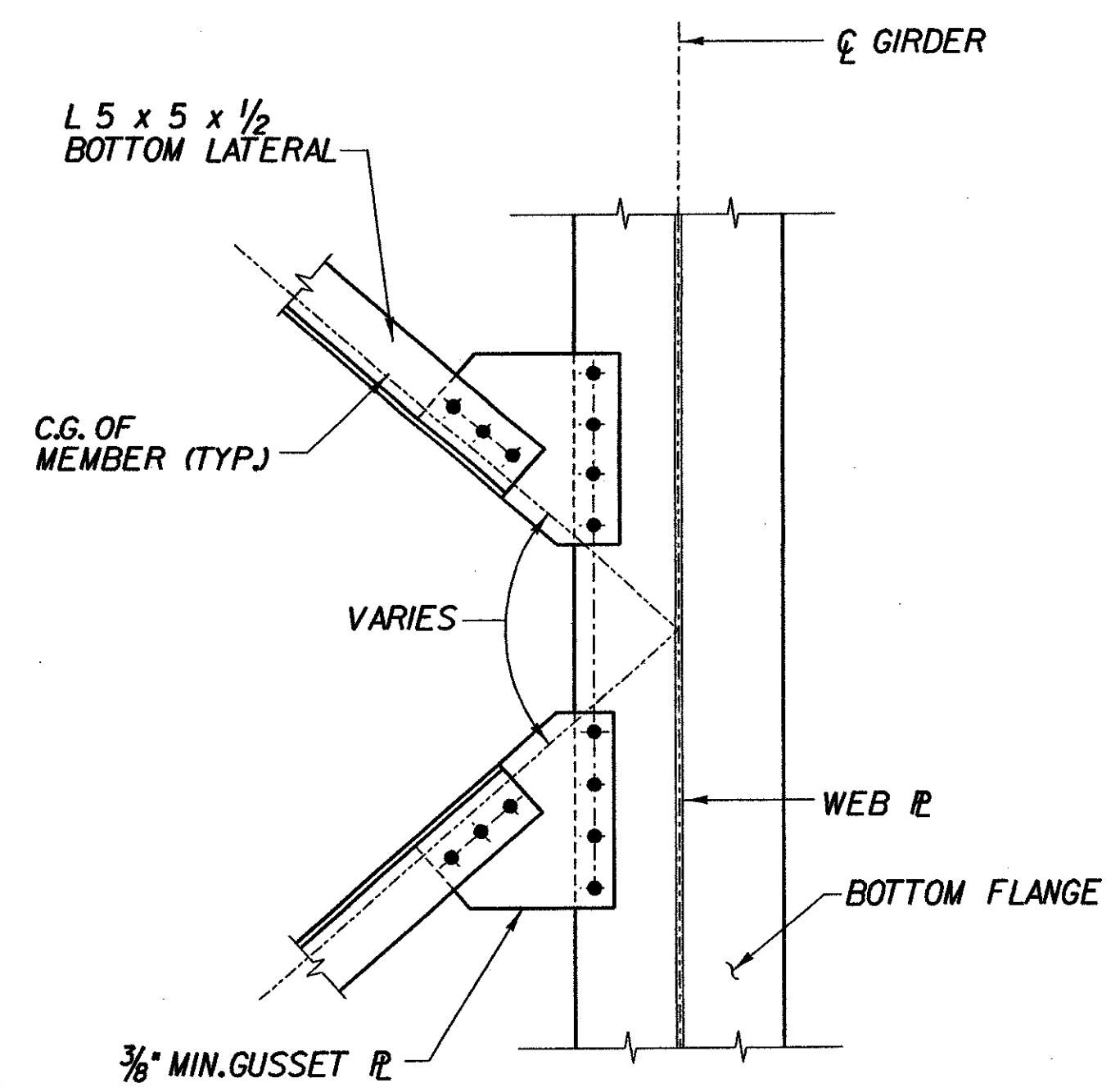


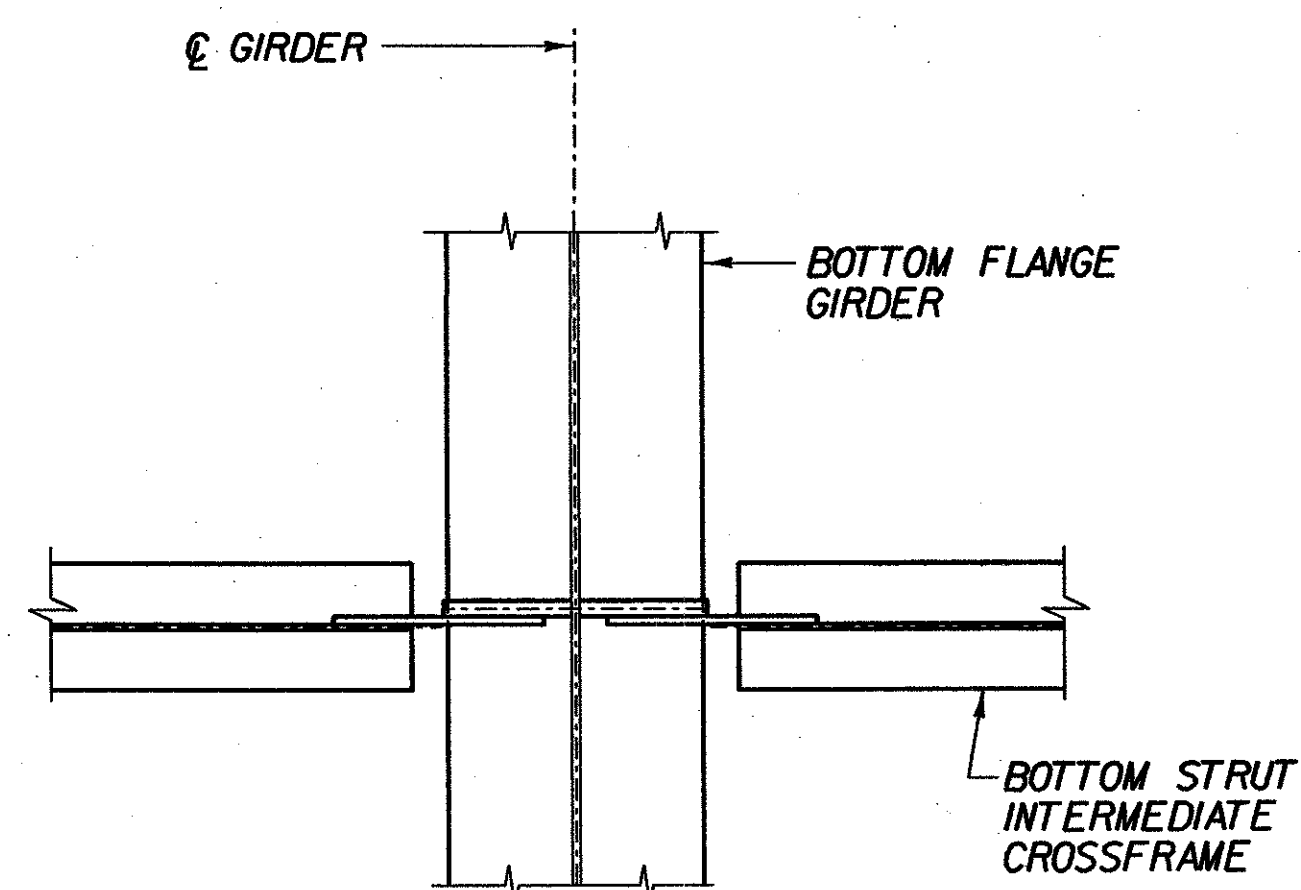
1 BOTTOM CONN. DETAIL (AT ABUT. 1. ABUT. 2 SIM.)
 BR211 SCALE 1" = 1'-0"
 1 9 6 3 0 1 2



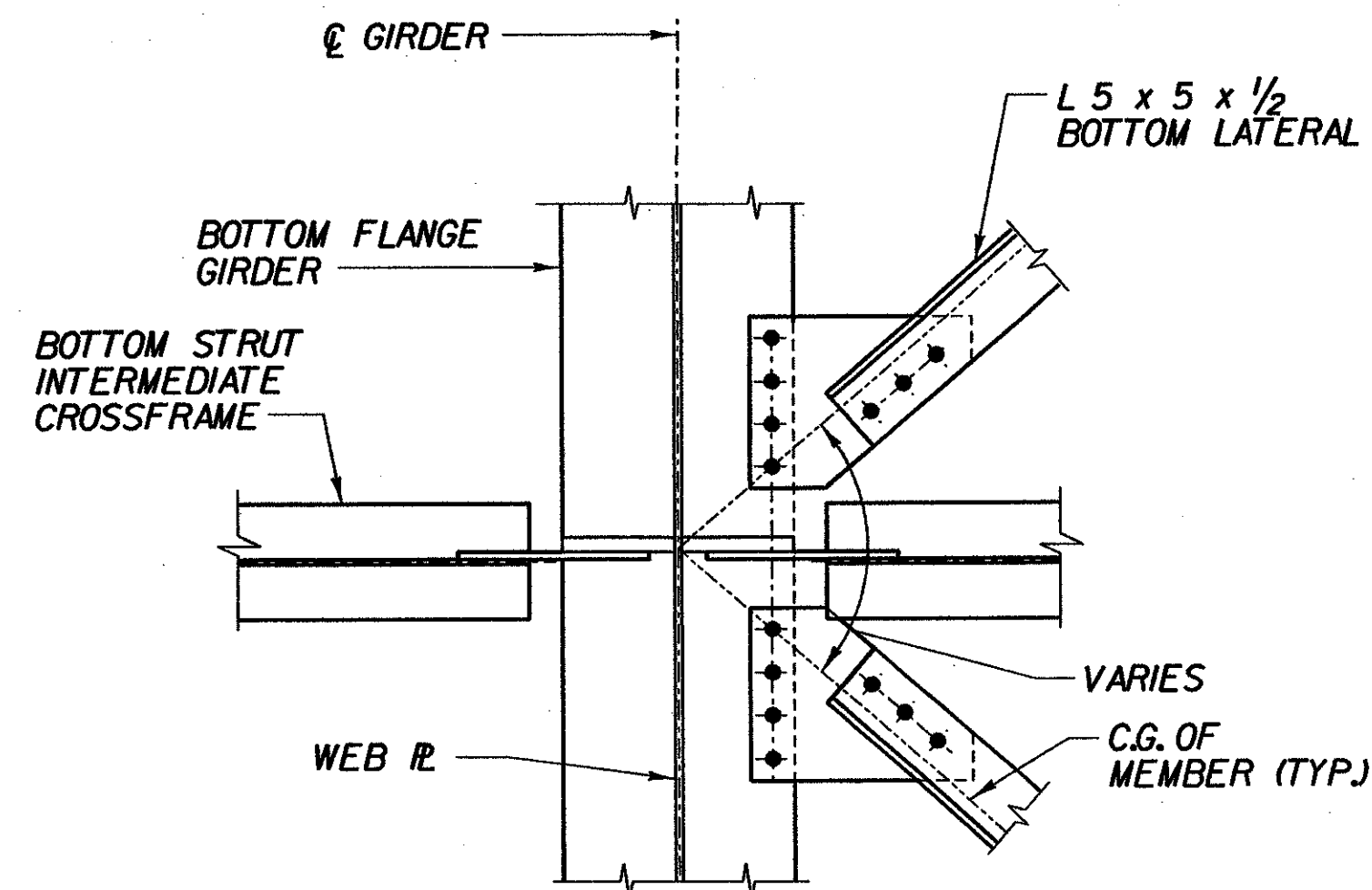
2 LATERAL CONN. DETAIL @ PIER
 BR211 SCALE 1" = 1'-0"
 1 9 6 3 0 1 2



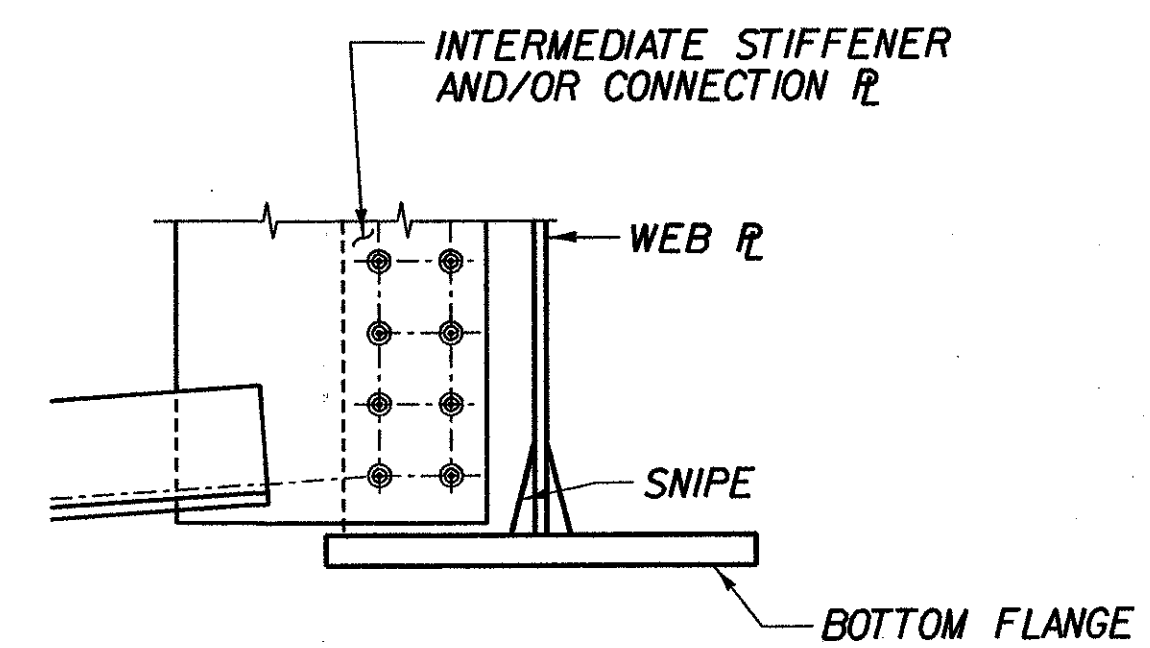
3 LATERAL BRACING CONN.
 BR211 SCALE 1" = 1'-0"
 1 9 6 3 0 1 2



4 CROSSFRAME BOTTOM CONN.
 BR211 SCALE 1" = 1'-0"
 1 9 6 3 0 1 2



5 CROSSFRAME & LATERAL BOTTOM CONN.
 BR211 SCALE 1" = 1'-0"
 1 9 6 3 0 1 2



6 CROSSFRAME CLIPPING DETAIL
 BR216 SCALE 1" = 1'-0"
 1 9 6 3 0 1 2

FILE NAME: \\S:\FRESHM\STN\15\BRG25\25.DWG DATE/TIME: 12/12/01 USER: JLAGONE

STATE OF VERMONT AGENCY OF TRANSPORTATION		
Town Of	SEARSBURG	Bridge No. 25
Highway No.	VT. RTE. 9	Log Sta.
		Surv. Sta.
VT. RTE. 9 OVER DEERFIELD RIVER		
CROSSFRAME DETAILS - (2) - BR 25		
Designed By	D. VIENI	Drawn by J. LAGONE
Checked By	M. OLSTAD	Bridge Design Supervisor
	12/2001	Date 12/2001
PROJECT	SEARSBURG - WILMINGTON	PROJECT NO. NHF 010-118)
I.G.C. Info.		
Bridge Sheet No. BR217		Sheet 144 of 435

CHA CLOUGH, HARBOUR & ASSOCIATES LLP
 ENGINEERS, SURVEYORS, PLANNERS & LANDSCAPE ARCHITECTS
 110 WINDERS CIRCLE ALBANY, NEW YORK, 12205