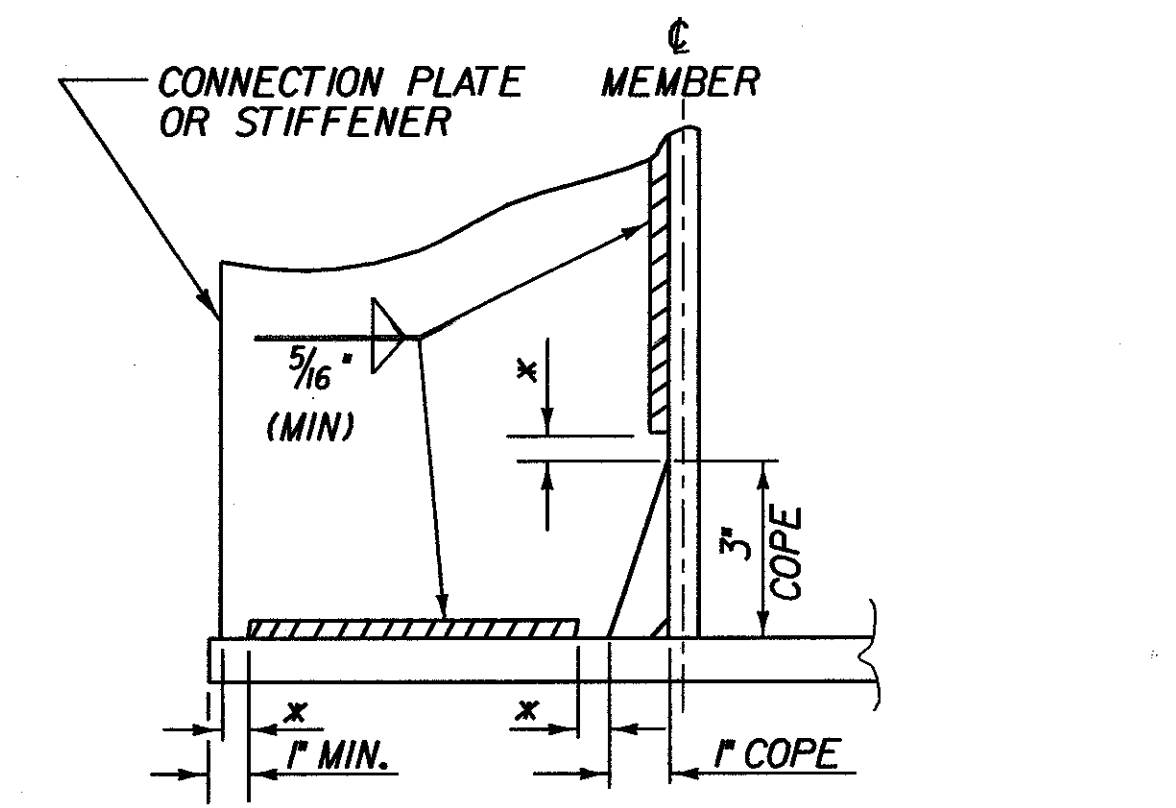


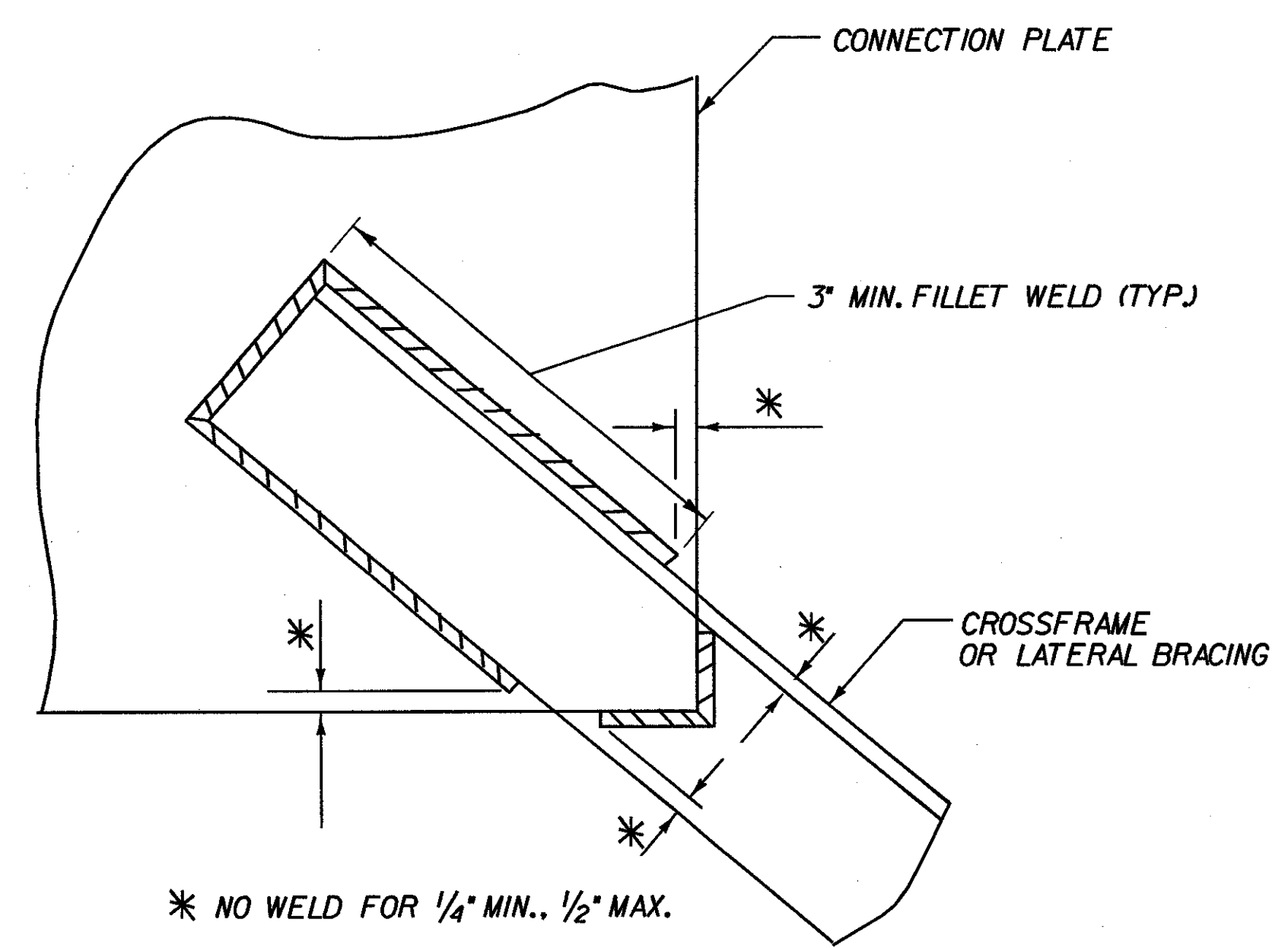
**6 PLAN - DRIP PLATE SECTION A-A**

BR211 NOTE: DRIP PLATES SHALL BE PLACED ON OUTSIDE EDGE OF FASCIA GIRDERS ON THE HIGH SIDE OF ALL PIERS, SPLICES AND ABUTMENTS OR AS INDICATED ON PROJECT PLANS.

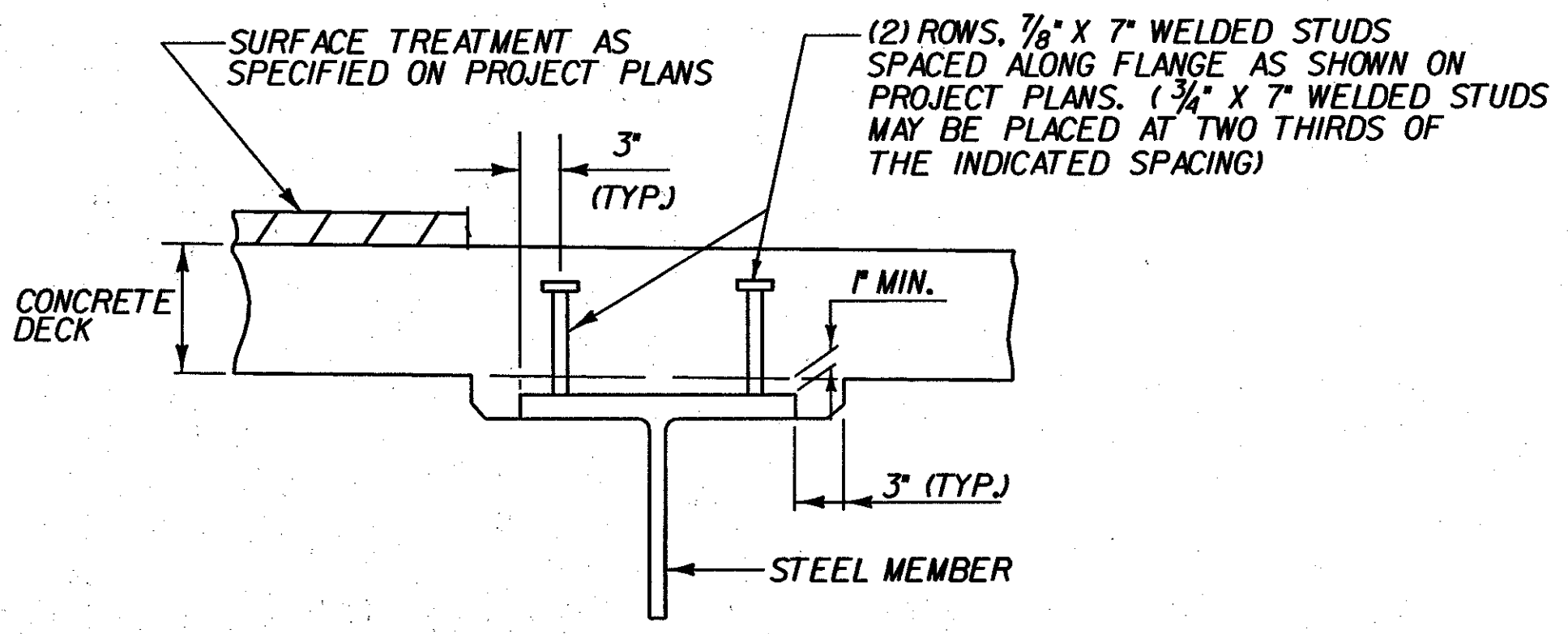


\* NO WELD FOR 1/4" MIN., 1/2" MAX. (EXCEPT MUST MAINTAIN 'r' MINIMUM FROM EDGE OF FLANGE)

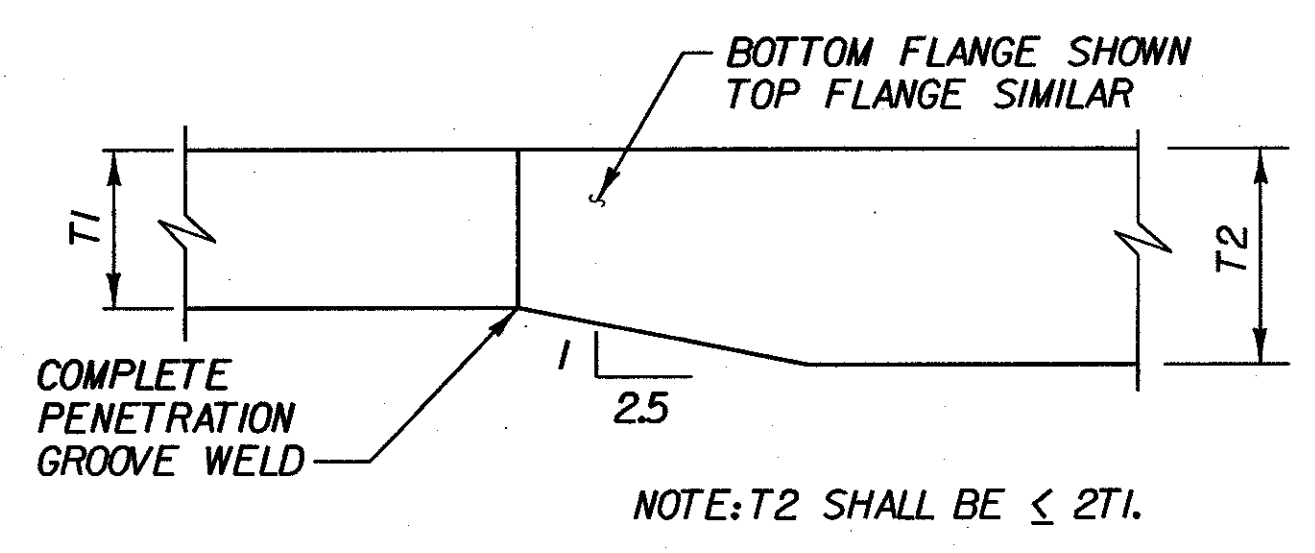
**WELD TERMINATION AND COPING DETAILS FOR STEEL MEMBERS (NOT TO SCALE)**



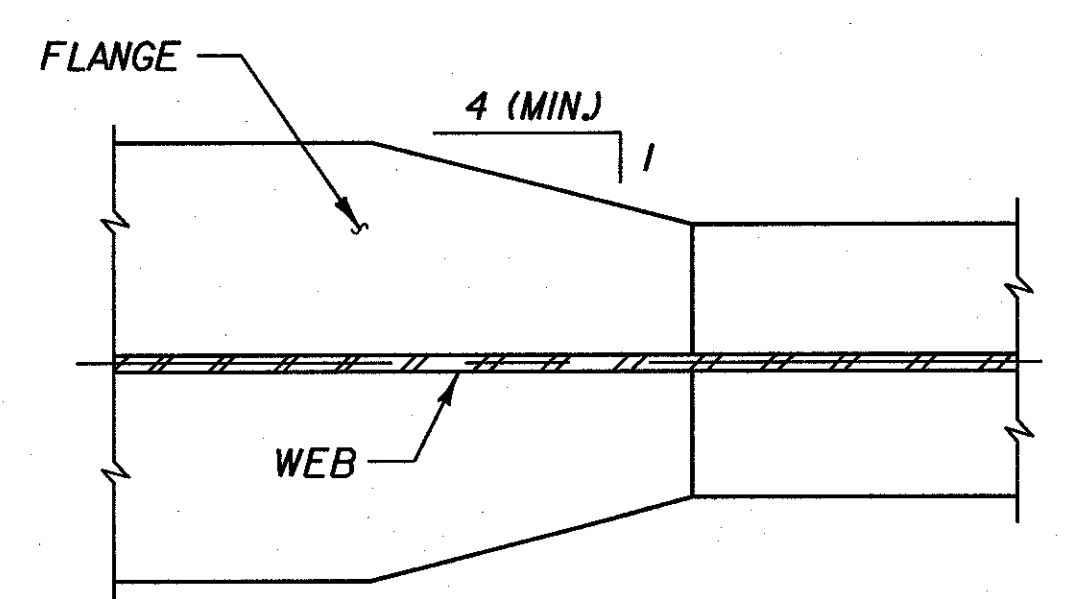
**WELD LOCATION DETAIL AT CROSSFRAMES AND LATERAL BRACING (NOT TO SCALE)**



**HAUNCH AND SHEAR CONNECTOR DETAILS (NOT TO SCALE)**

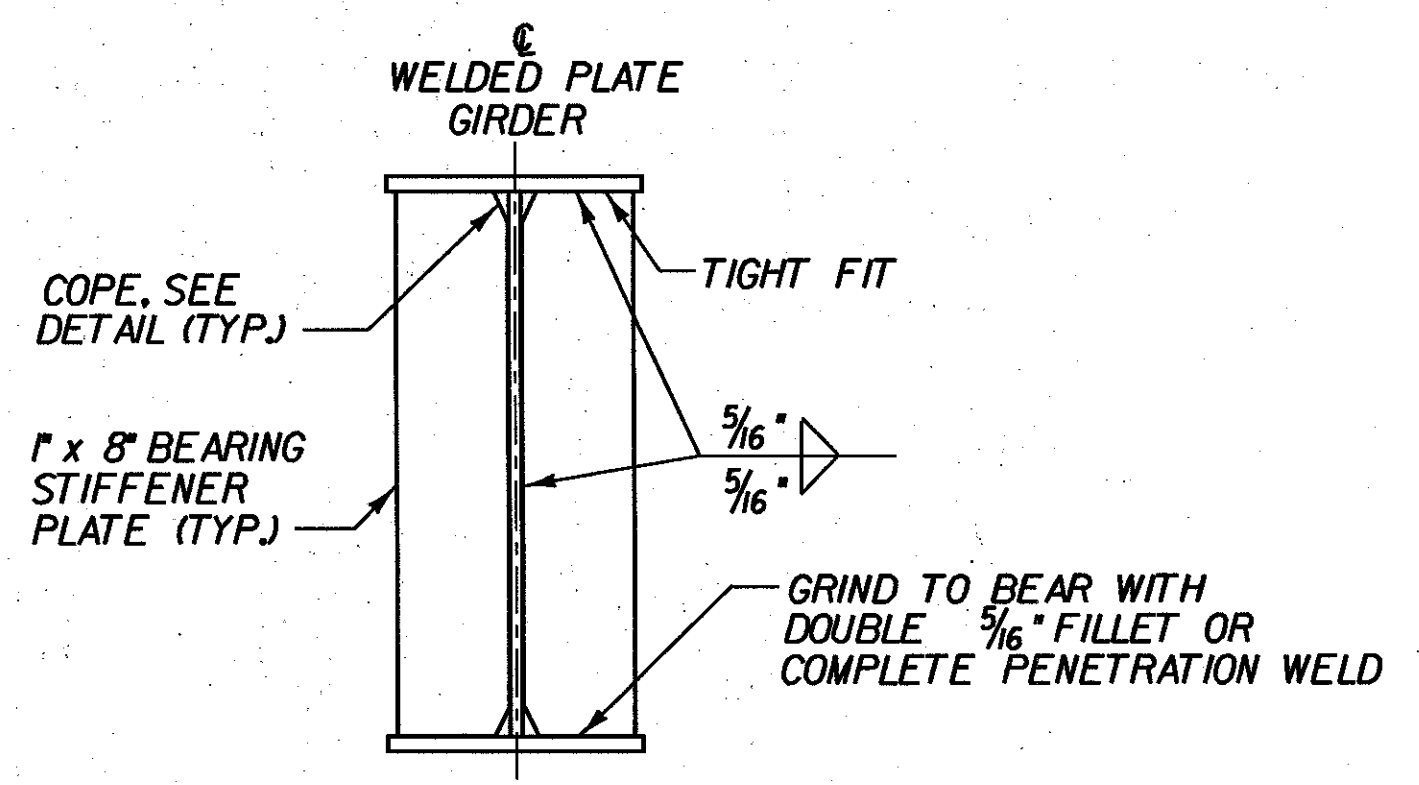


**1 FLANGE THICKNESS TAPER (NOT TO SCALE)**

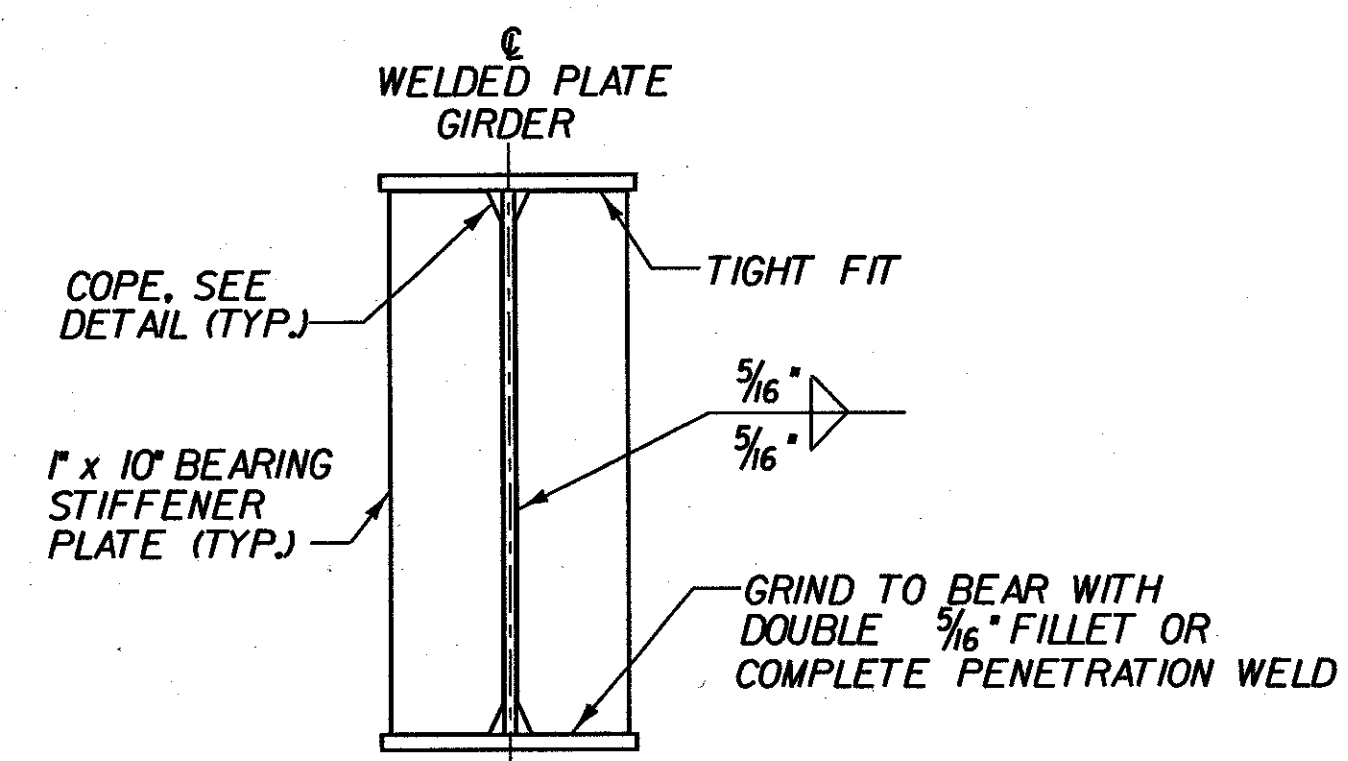


**2 FLANGE WIDTH TAPER (NOT TO SCALE)**

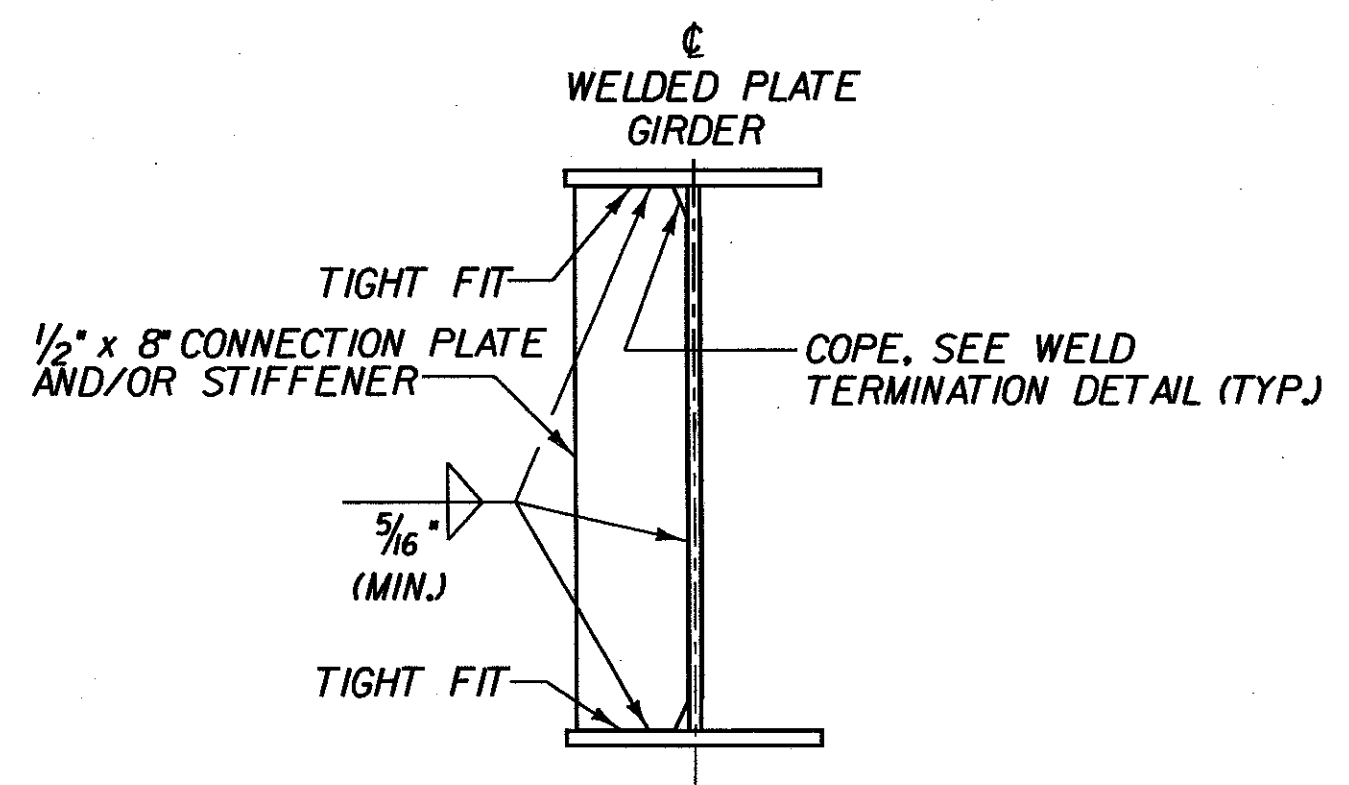
NOTE: 1. FOR CONNECTION PLATE AND/OR STIFFENER PLATE SIZE AND LOCATION, SEE DWG. BR216.



**ABUTMENT BEARING STIFFENERS FOR WELDED PLATE GIRDERS (NOT TO SCALE)**



**PIER BEARING STIFFENERS FOR WELDED PLATE GIRDERS (NOT TO SCALE)**



**INTERMEDIATE CONNECTION PLATES AND/OR STIFFENERS FOR WELDED PLATE GIRDERS (NOT TO SCALE)**

FILE NAME: s:\19755\15\BR025.25.dwg  
DATE: 2/20/02  
USER: kdetrick

<b>STATE OF VERMONT AGENCY OF TRANSPORTATION</b>			
Town Of	SEARSBURG	Bridge No.	25
Highway No.	VT. RTE. 9	Log Sta.	
		Surv. Sta.	
VT. RTE. 9 OVER DEERFIELD RIVER			
GIRDER DETAILS - BR 25			
Designed By	D. VIENI	Drawn by	K. DETRICK
Checked By	M. OLSTAD	Bridge Design Supervisor	M. OLSTAD
Date	2/2002	Date	2/2002
PROJECT	SEARSBURG - WILMINGTON	PROJECT NO.	NHF 010-118
I.C.C. Info.		Bridge Sheet No. BR214	

**CHA CLOUGH, HARBOUR & ASSOCIATES LLP**  
ENGINEERS, SURVEYORS, PLANNERS & LANDSCAPE ARCHITECTS  
11 WINNERS CIRCLE ALBANY, NEW YORK, 12205