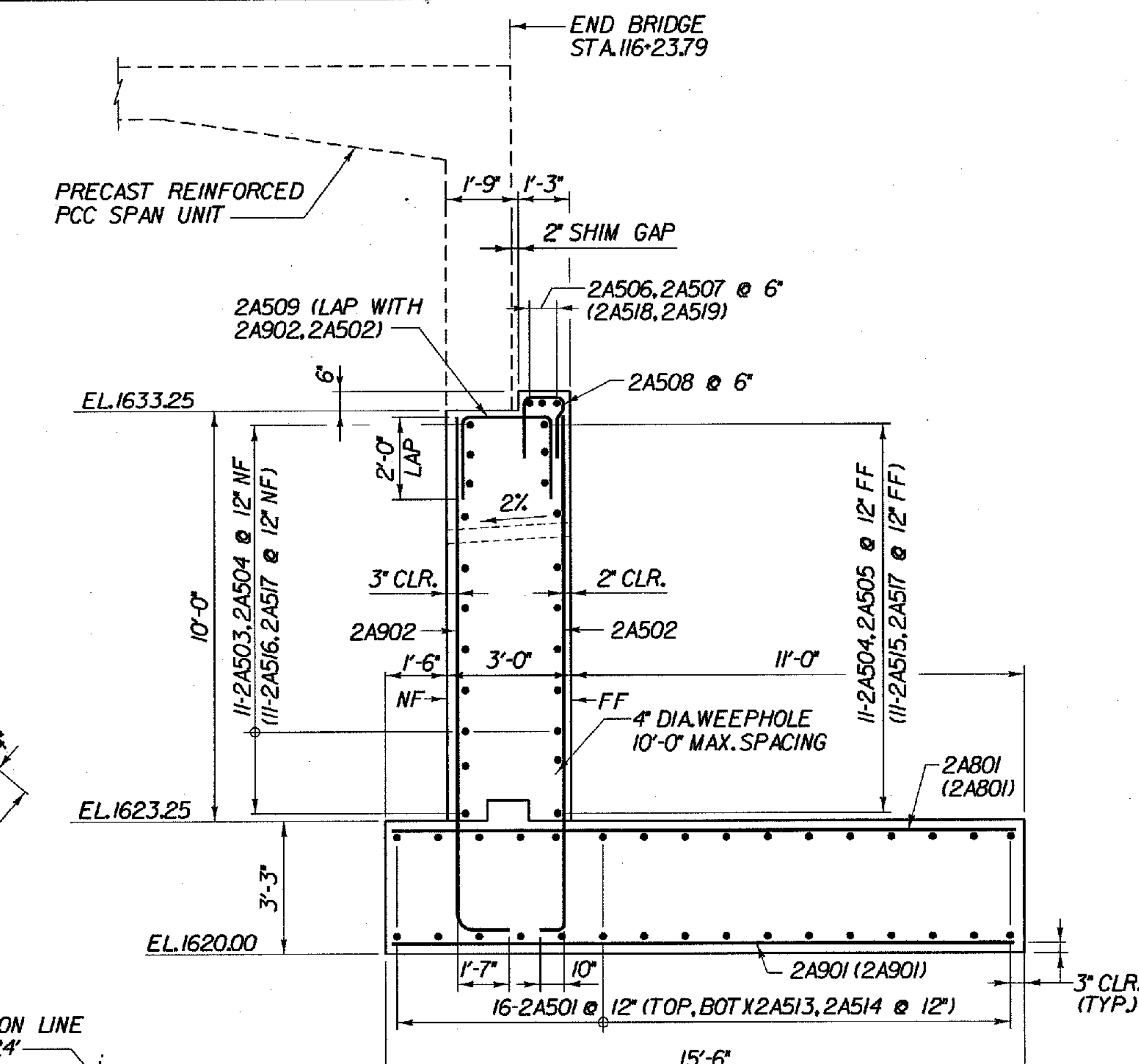
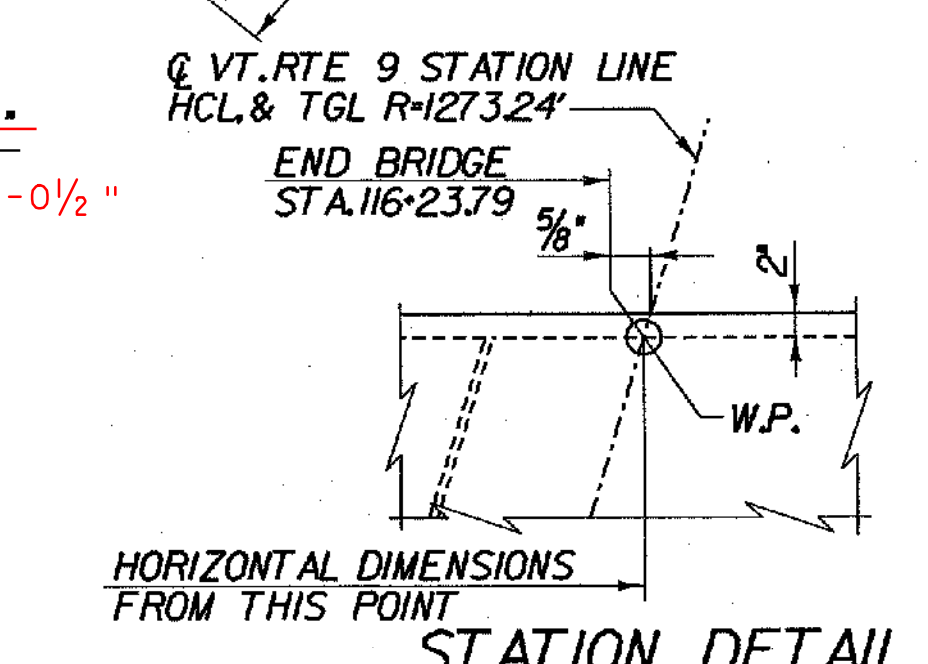


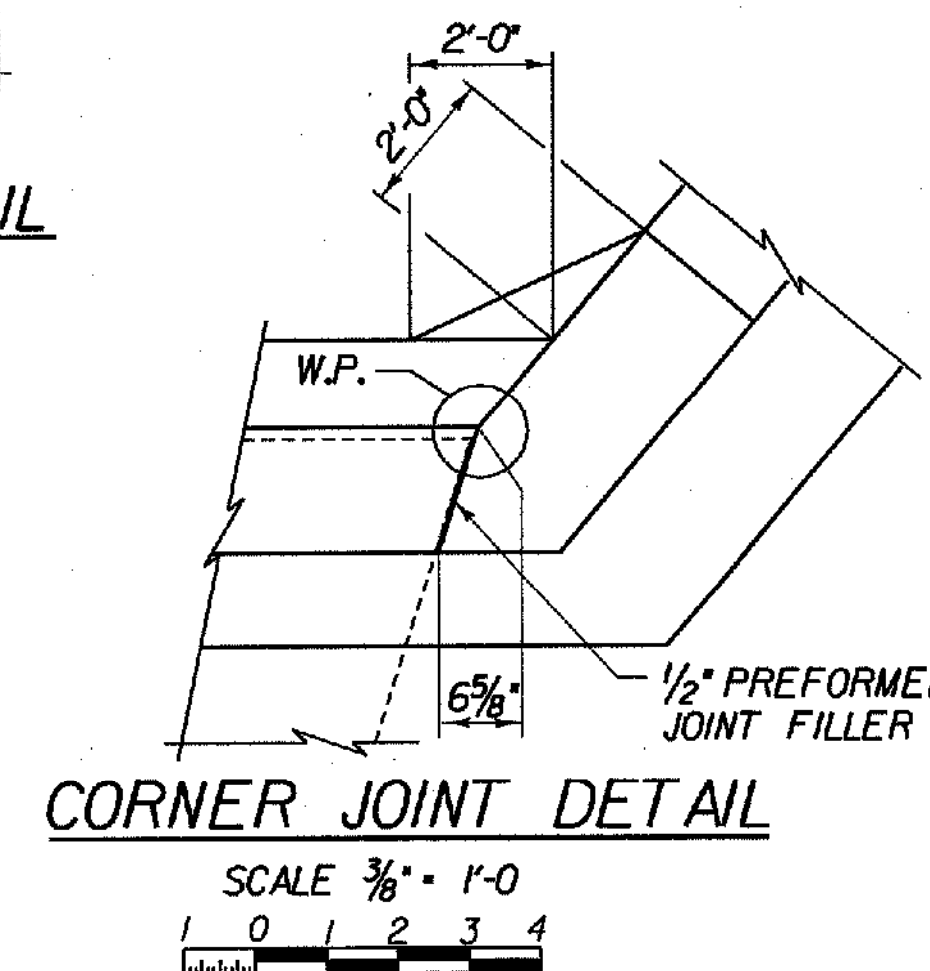
PLAN - BR24
SCALE 1" = 5'-0"
5 0 5



F TYPICAL ABUTMENT SECTION - BR24
(STAGE 2 SIMILAR U.O.N.)
SCALE 3/8" = 1'-0"
1 0 1 2 3 4

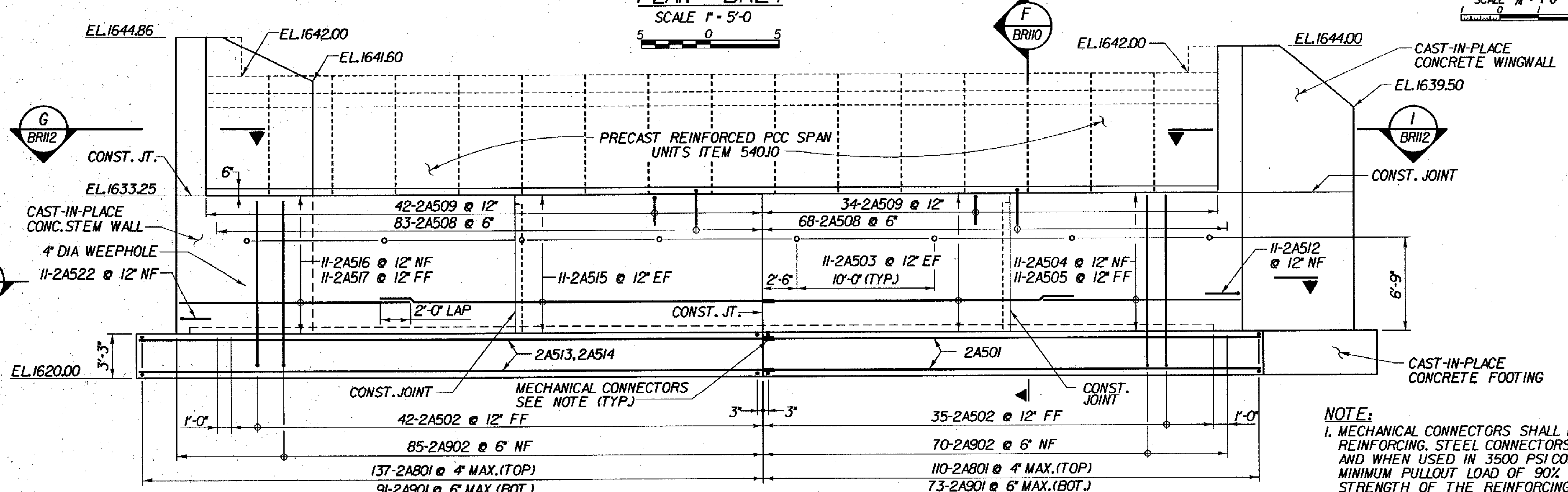


STATION DETAIL
SCALE 3/8" = 1'-0"
1 0 1 2

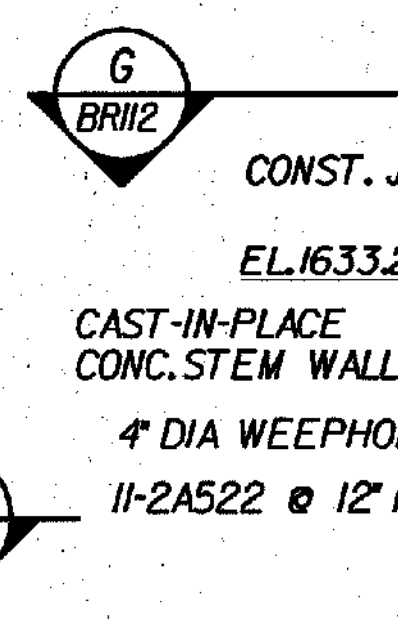


CORNER JOINT DETAIL
SCALE 3/8" = 1'-0"
1 0 1 2 3 4

WINGWALL PLACEMENT NOTE:
1. PRECAST REINF. PCC SPAN UNITS SHALL BE IN PLACE BEFORE WINGWALL CONCRETE IS PLACED ABOVE THE ABUTMENT SEAT.



ELEVATION - BR24
SCALE 1" = 5'-0"
5 0 5



KEY:
NF - NEAR FACE
FF - FAR FACE
EF - EACH FACE
▲ - BARS TO BE CUT IN FIELD
◆ - FIELD BEND
3" CLR. UNLESS OTHERWISE SPECIFIED ON THE PLANS.

NOTE:
1. MECHANICAL CONNECTORS SHALL BE DESIGNED WITH #5 REINFORCING. STEEL CONNECTORS SHALL BE NON-CORROSIVE AND WHEN USED IN 3500 PSI CONCRETE, ABLE TO RESIST MINIMUM PULLOUT LOAD OF 90% OF THE MINIMUM TENSILE STRENGTH OF THE REINFORCING BAR. COST SHALL BE INCLUDED IN ITEM 507JS.

STATE OF VERMONT AGENCY OF TRANSPORTATION	
Town of SEARSBURG	Bridge No. 24
Highway No. VT. RTE. 9	Log Sta. Surv. Sta.
VT. RTE.9 OVER BOND BROOK	
ABUTMENT 2 PLAN AND ELEVATION	
Designed By M. GOGUEN	Drawn by J. LAGONE/Wm WEATHERBY
Checked By M. OLSTAD	Bridge Design Supervisor M. OLSTAD
Date 2/2002	Date 2/2002
PROJECT SEARSBURG - WILMINGTON	PROJECT NO. NHF 010-1081
I.G.C. Info. Bridge Sheet No. BR110	

CHA CLOUGH, HARBOUR & ASSOCIATES LLP
ENGINEERS, SURVEYORS, PLANNERS & LANDSCAPE ARCHITECTS
WINNERS CIRCLE ALBANY, NEW YORK, 12208