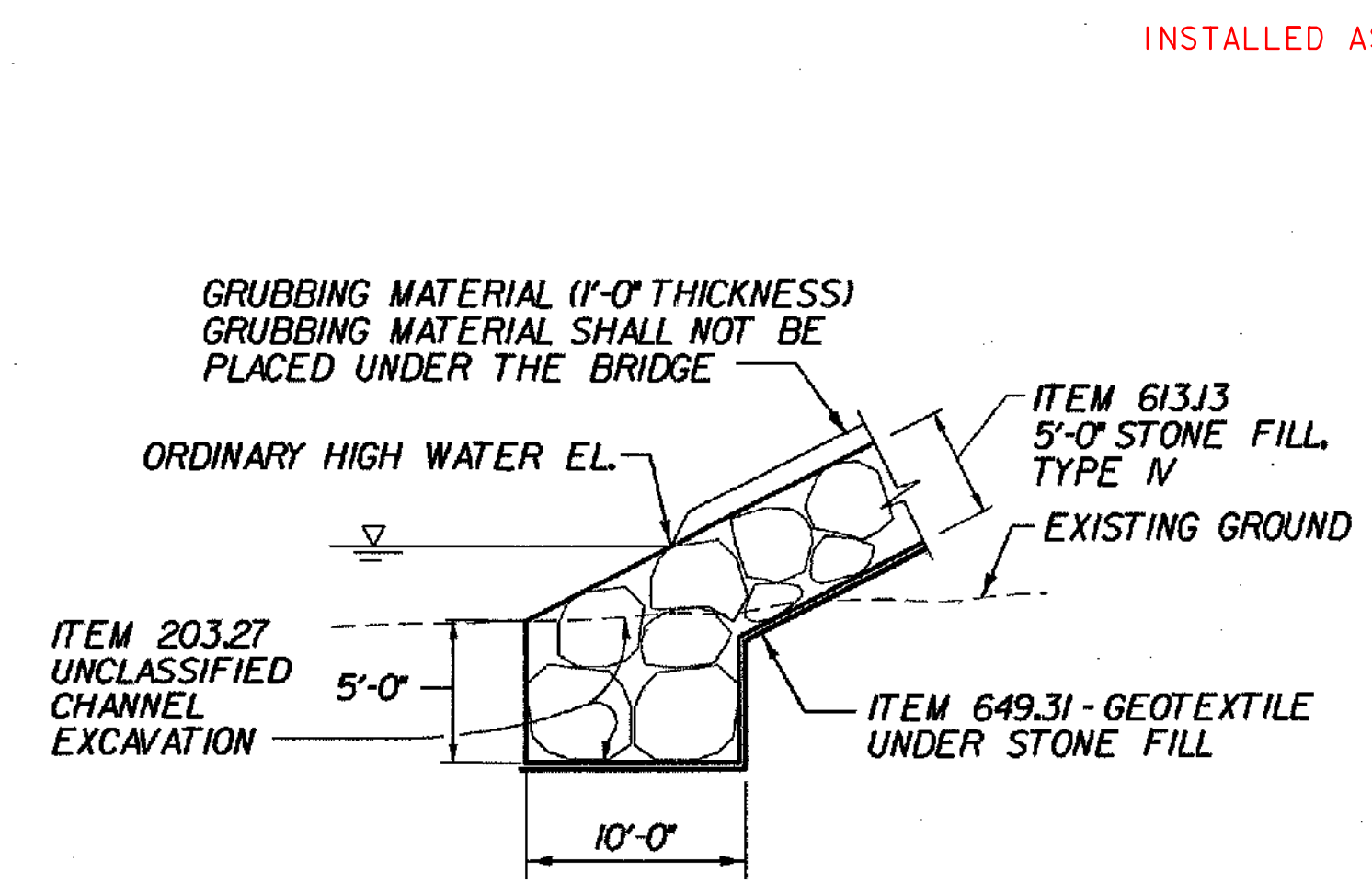
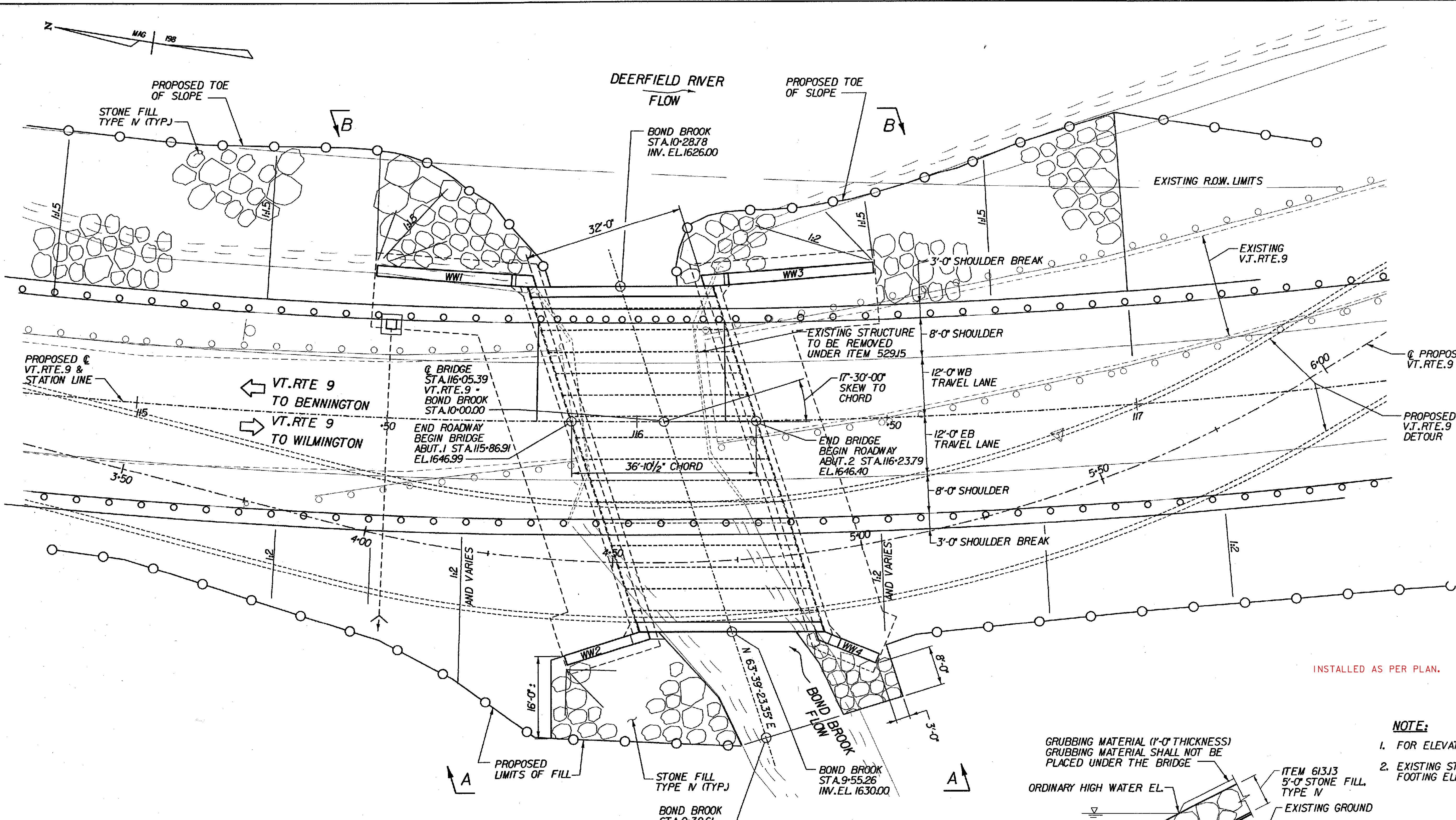


CURVE DATA	
REV P.C. - STA.	113+61.81
REV P.T. - STA.	122+89.88
$\Delta$	41°-45'-47.87 LT.
R	1273.24'
Dc	4'-30"
L	928.07'
T	485.74'
E	89.51'
BANK:	0.067 FT/FT



TYPICAL EMBANKMENT PROTECTION DETAIL  
(NOT TO SCALE)

- NOTE:**
- FOR ELEVATION A-A AND B-B, SEE BRIDGE SHEET BR103.
  - EXISTING STRUCTURE TO BE REMOVED TO BOTTOM OF FOOTING ELEVATION, ITEM 529J5.

**STATE OF VERMONT  
AGENCY OF TRANSPORTATION**

Town Of	SEARSBURG	Bridge No.	24
Highway No.	VT. RTE. 9	Log Sta.	
		Surv. Sta.	116+00
VT. RTE. 9 OVER BOND BROOK			
PLAN			
Designed By	M. GOGUEN	Drawn by	J. LAGONE
Checked By	M. OLSTAD	Bridge Design Supervisor	M. OLSTAD
Date	12/2001	Date	12/2001
PROJECT	SEARSBURG - WILMINGTON	PROJECT NO.	NHF 010-K18
I.G.C. Info.		Bridge Sheet No. BR100	

**CHA CLOUGH, HARBOUR & ASSOCIATES LLP**  
ENGINEERS, SURVEYORS, PLANNERS & LANDSCAPE ARCHITECTS  
110 WINDMILL CIRCLE ALBANY, NEW YORK, 12208