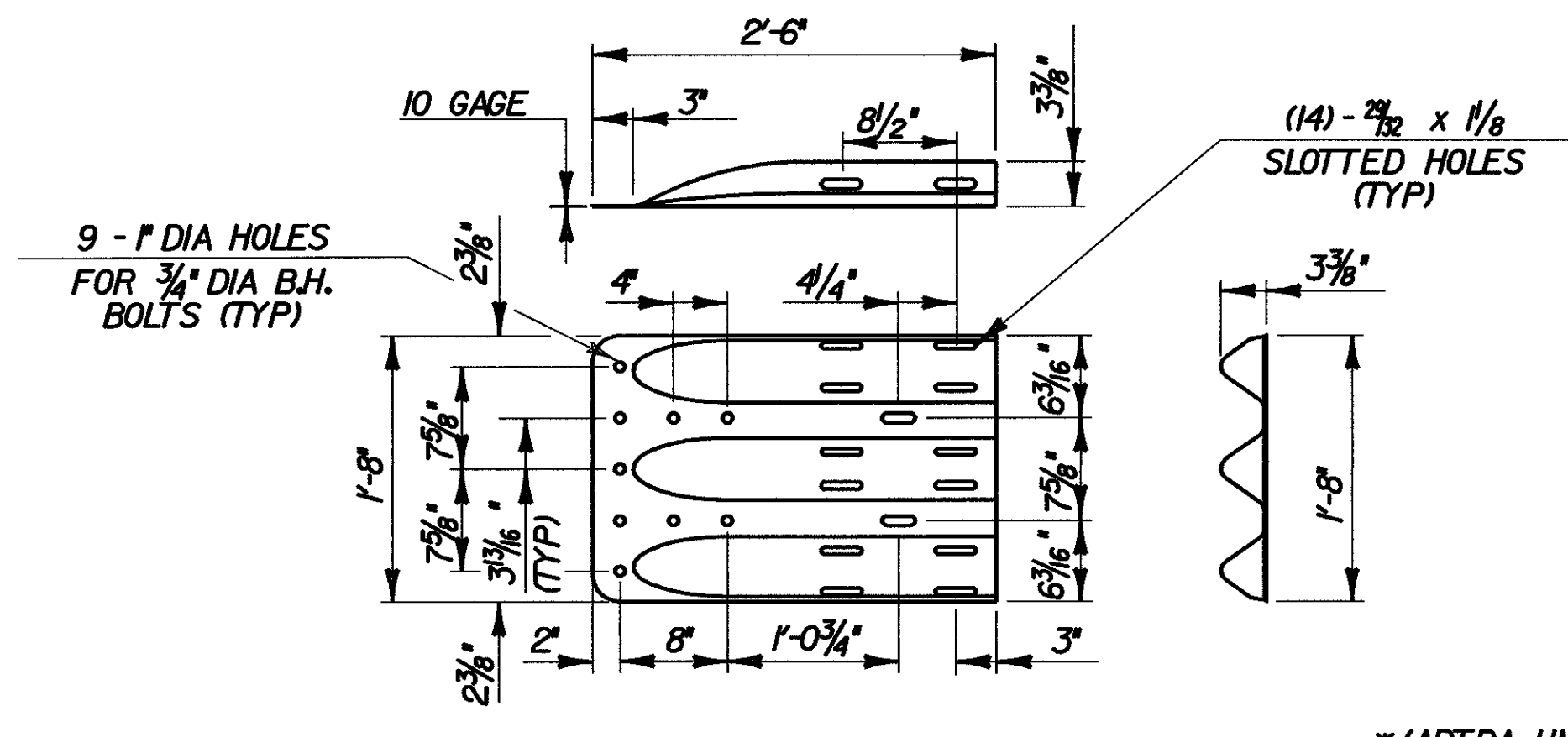
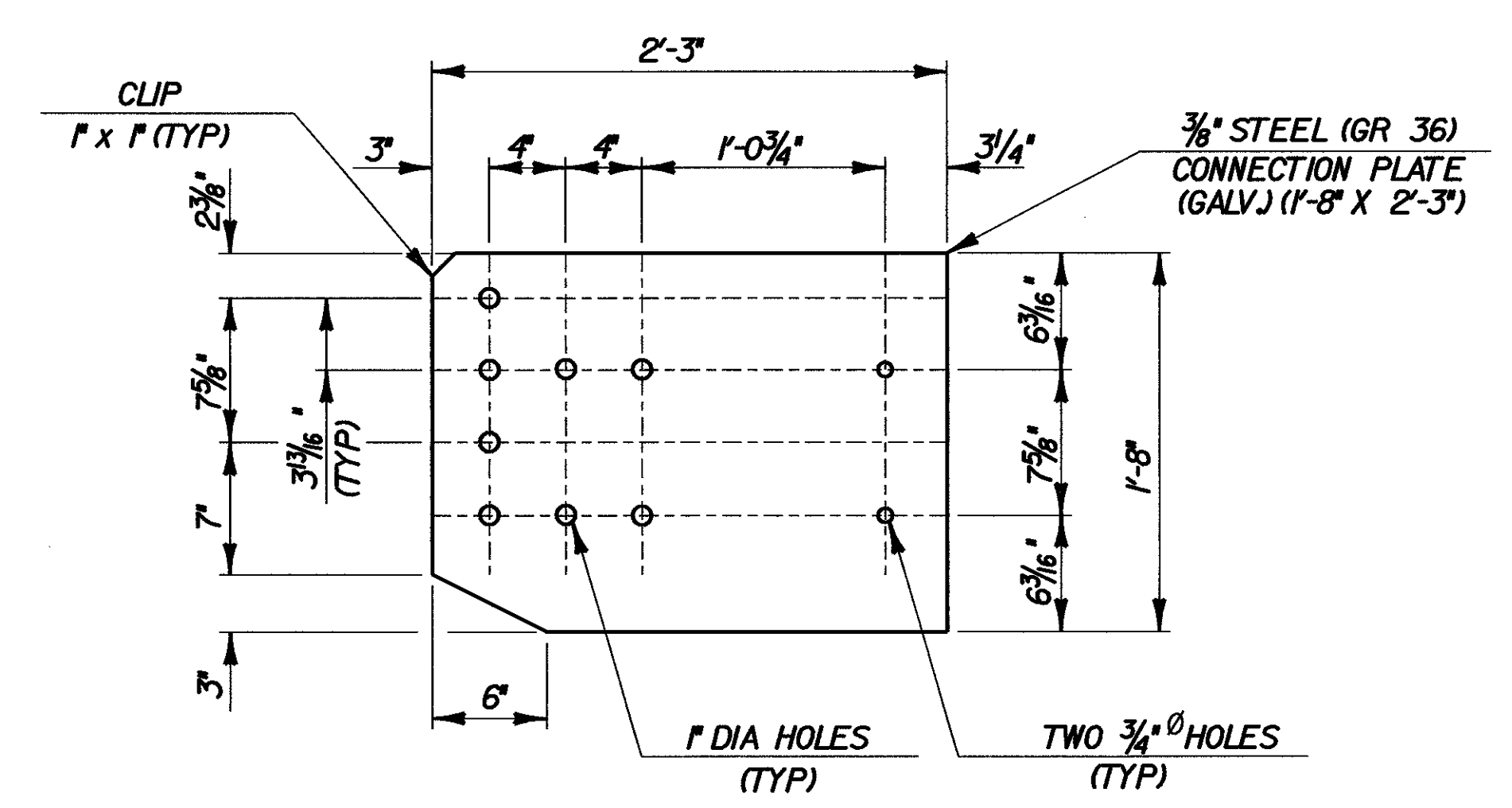


**WOOD POST-RAIL ASSEMBLY**

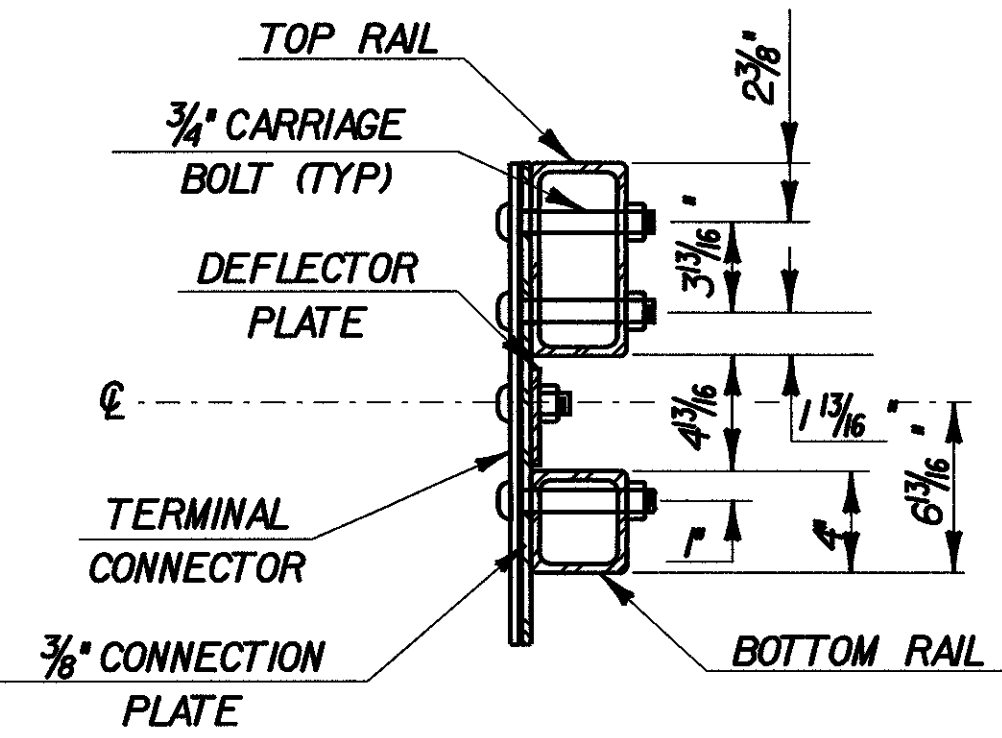


**THRIE - BEAM TERMINAL CONNECTOR\***

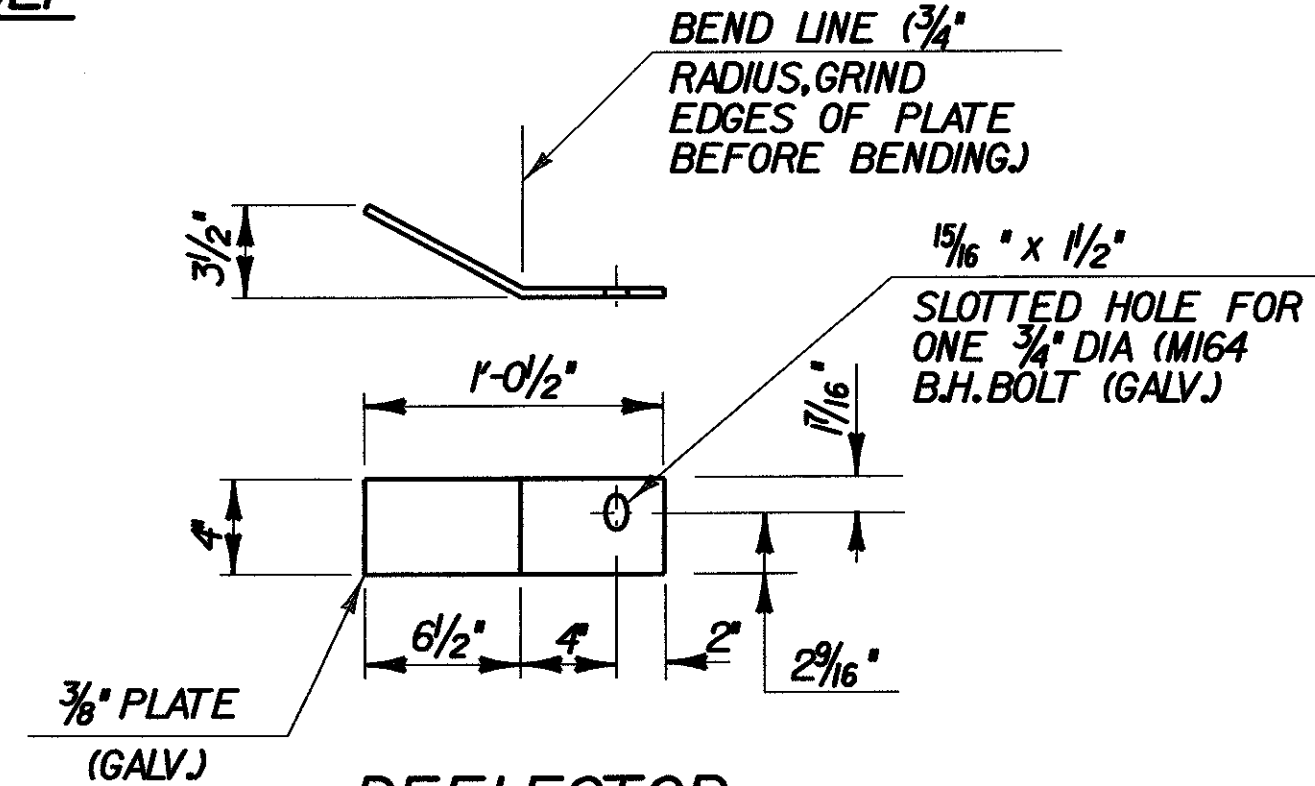
\* (ARTBA HM-TF-13 / RE-67)



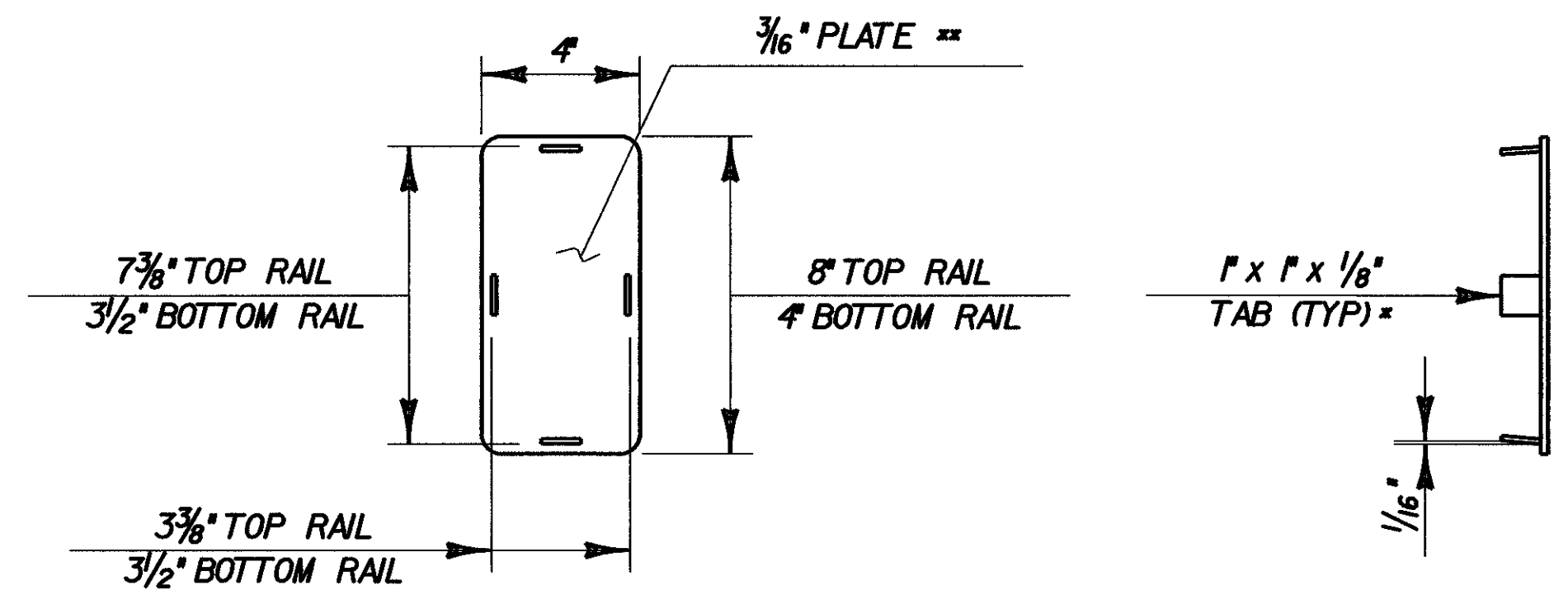
**CONNECTOR PLATE**



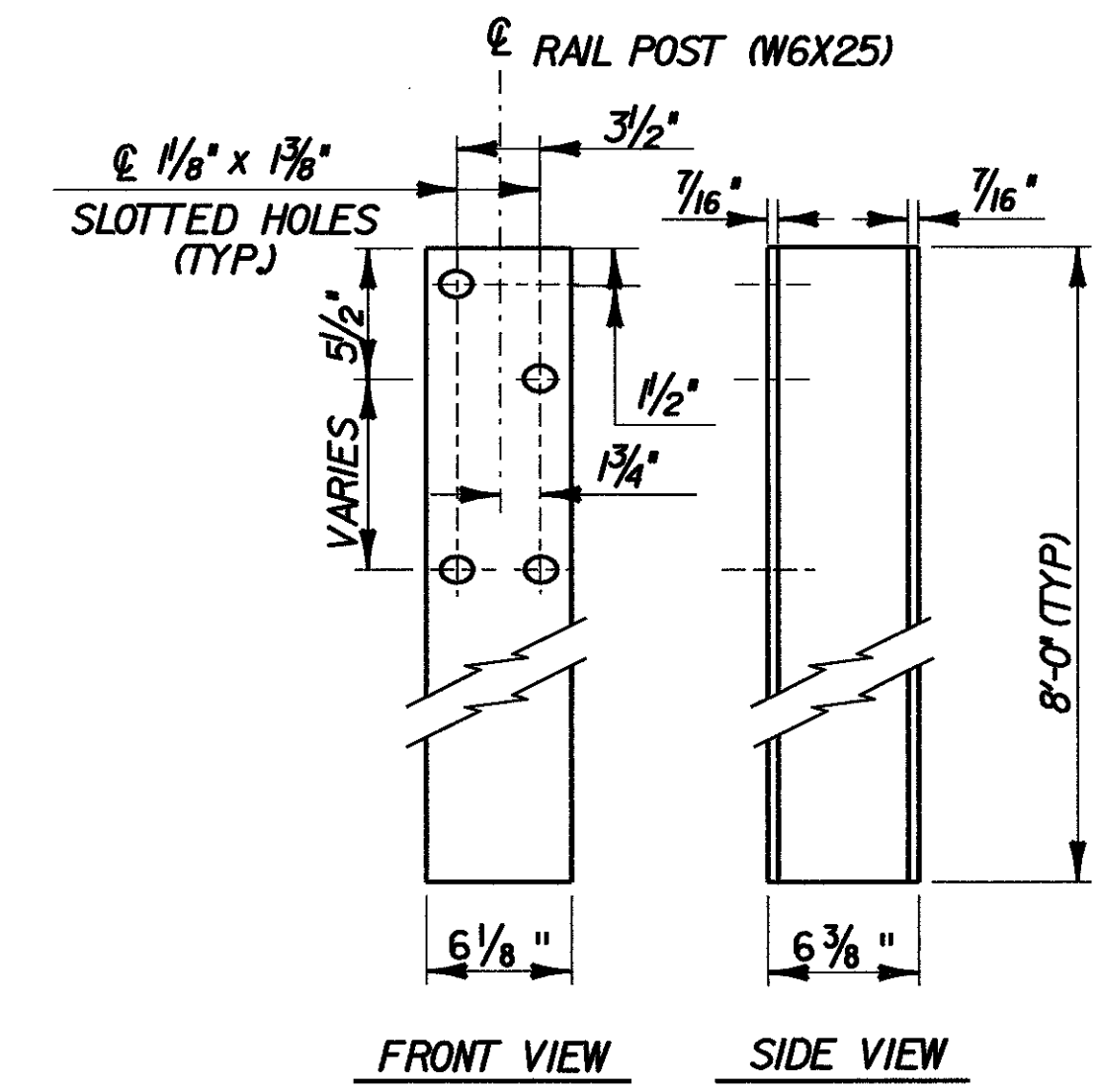
**SECTION C-C (CONNECTION PLATE)**



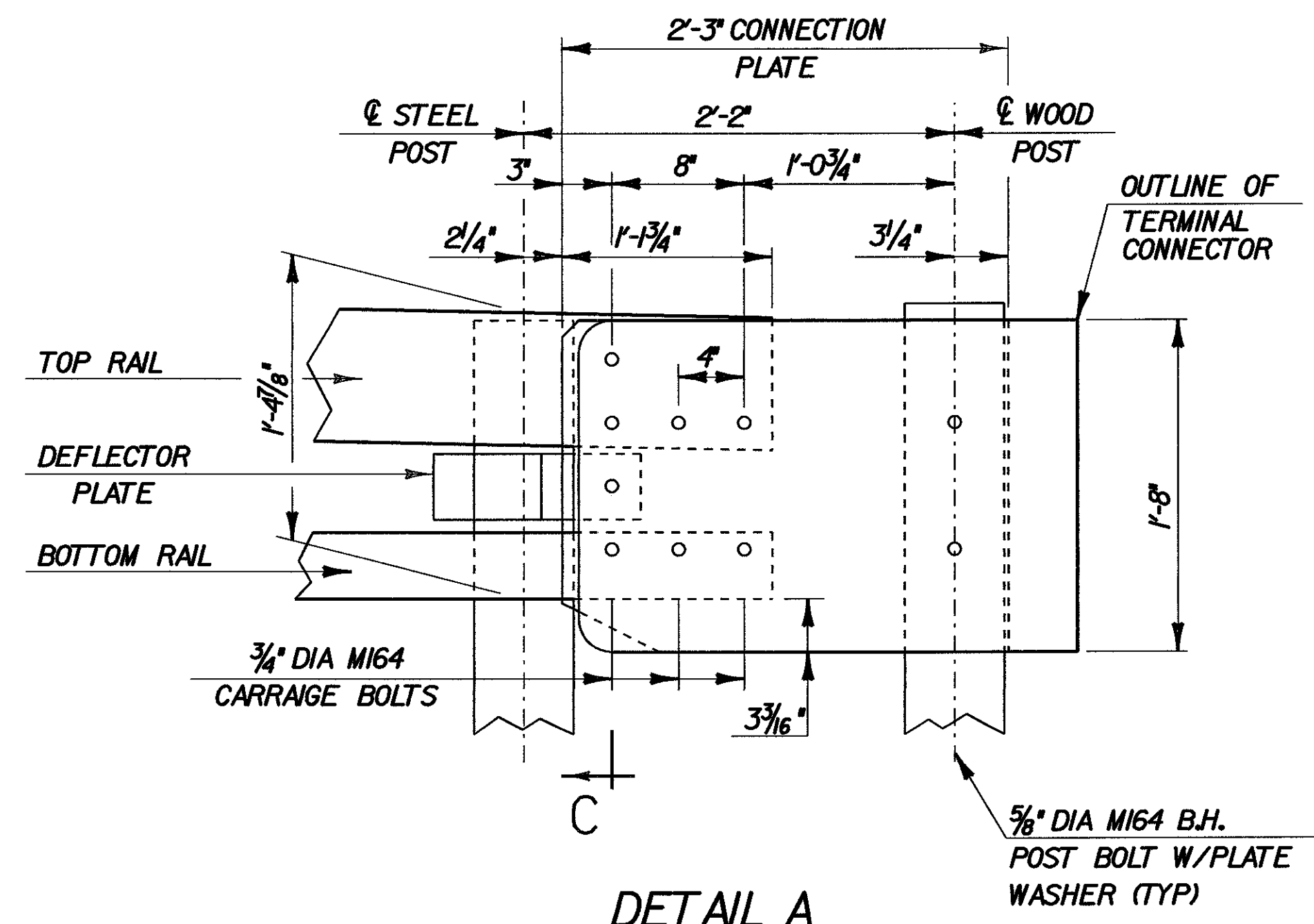
**DEFLECTOR PLATE DETAIL**



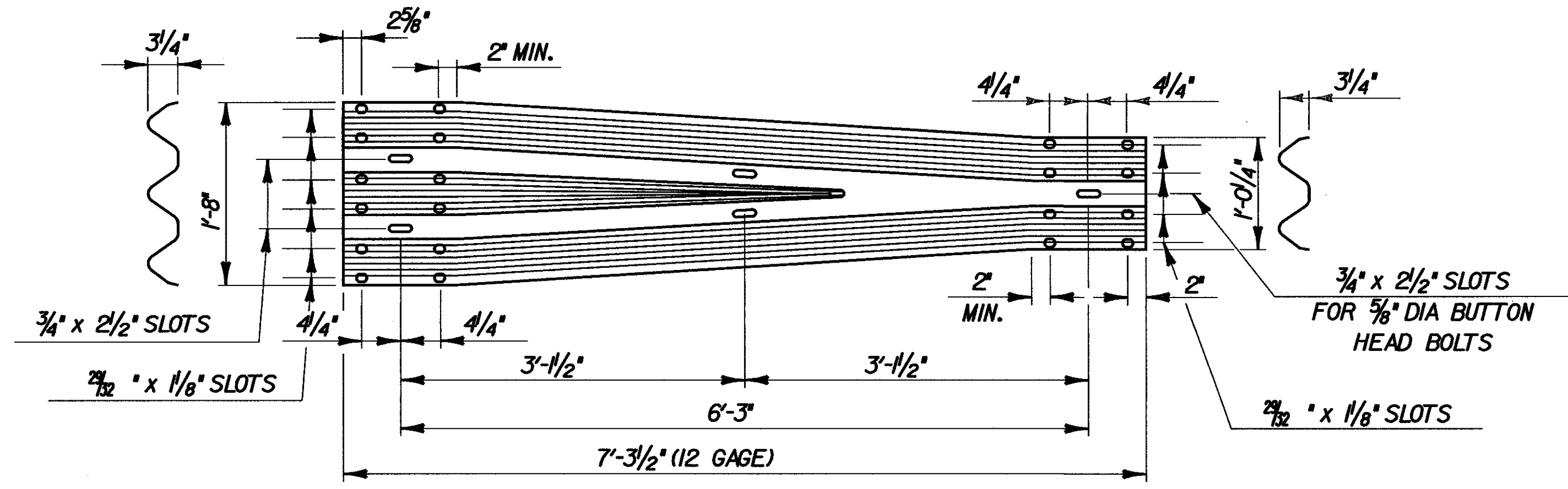
**END CAP DETAIL**



**RAIL POST**



**DETAIL A**



**THRIE-BEAM TO STD SB \* TRANSITION SECTION**

\* (ARTBA HM-TF-13 / RE-69-76)

FILE NAME: \\s:\projects\structures\consultant\022002\15\brdg\_tup\vd099b-1.dgn  
 DATE/TIME: 25-FEB-2002 10:58:11  
 USER: rwh:tc:omb

**STATE OF VERMONT  
AGENCY OF TRANSPORTATION**

Town Of	SEARSBURG	Bridge No.	
Highway No.	VT. RTE. 9	Log Sta.	
VT. RTE. 9 OVER DEERFIELD RIVER			
NETC RAIL DETAILS (2)			
Designed By	D. VIENI	Drawn by	K. DETRICK
Checked By	M. OLSTAD	Bridge Design Supervisor	M. OLSTAD
Date	2/2002	Date	2/2002
PROJECT	SEARSBURG - WILMINGTON	PROJECT NO.	NHF 010-118
L.G.C. Info.			
Bridge Sheet No. BR18		Sheet 07 OF 435	

**CHA CLOUGH, HARBOUR & ASSOCIATES LLP**  
 ENGINEERS, SURVEYORS, PLANNERS & LANDSCAPE ARCHITECTS  
 110 WINNERS CIRCLE ALBANY, NEW YORK, 12208