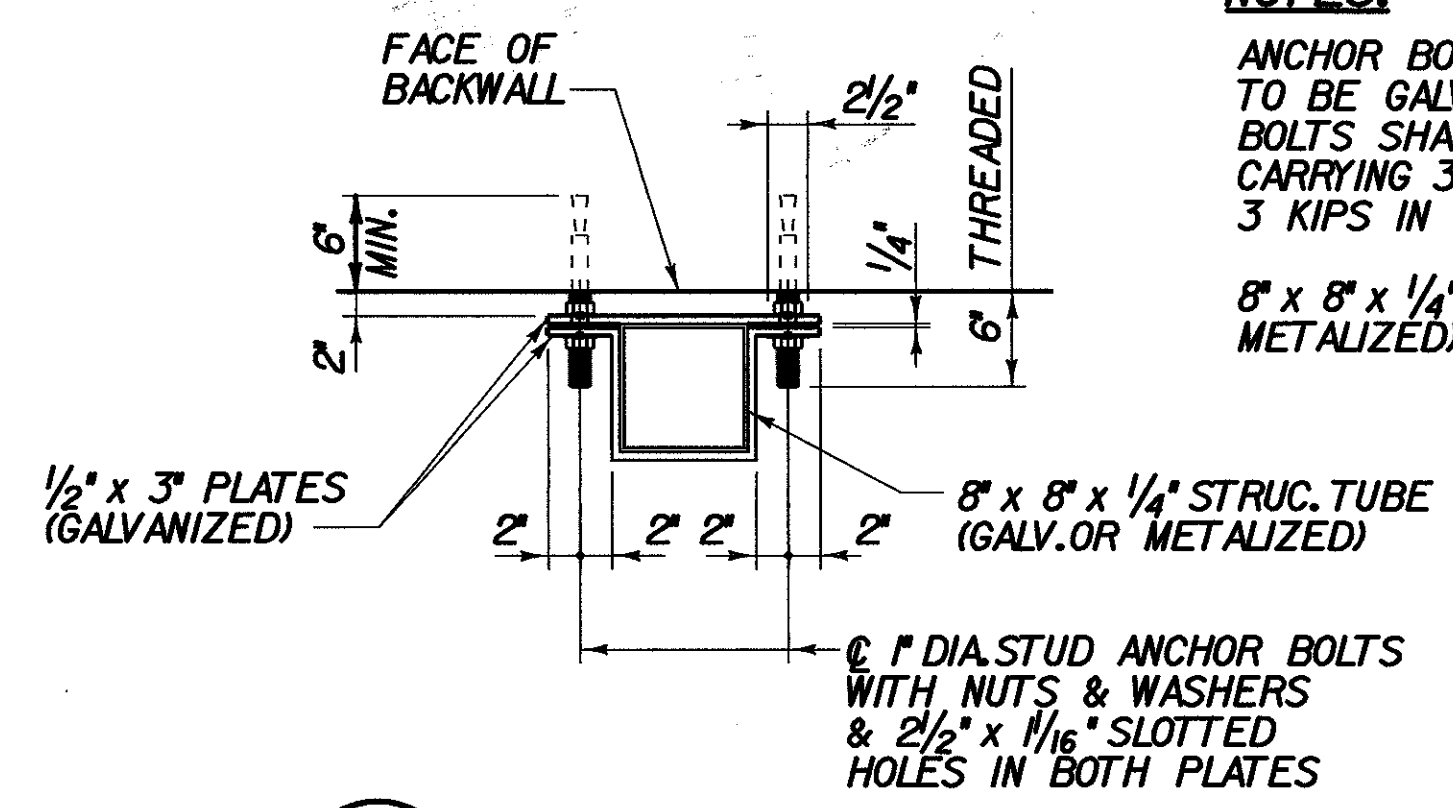
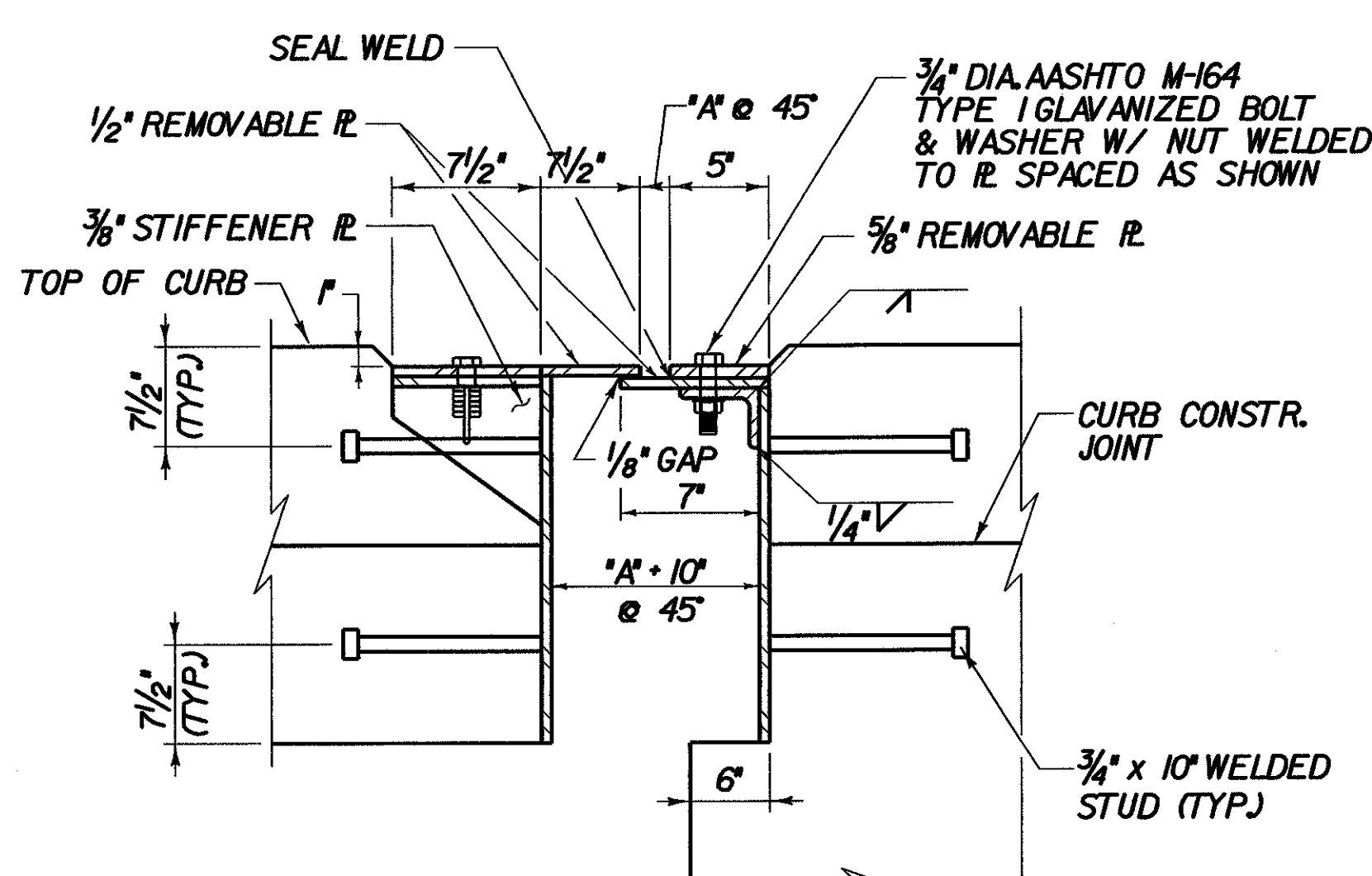


A A A JOINT SECTION
 BR218 BR318 BR319 (BR318 SHOWN, BR218 & BR319 OPP. HAND)
 SCALE 1" = 1'-0"
 1 9 6 3 0 2

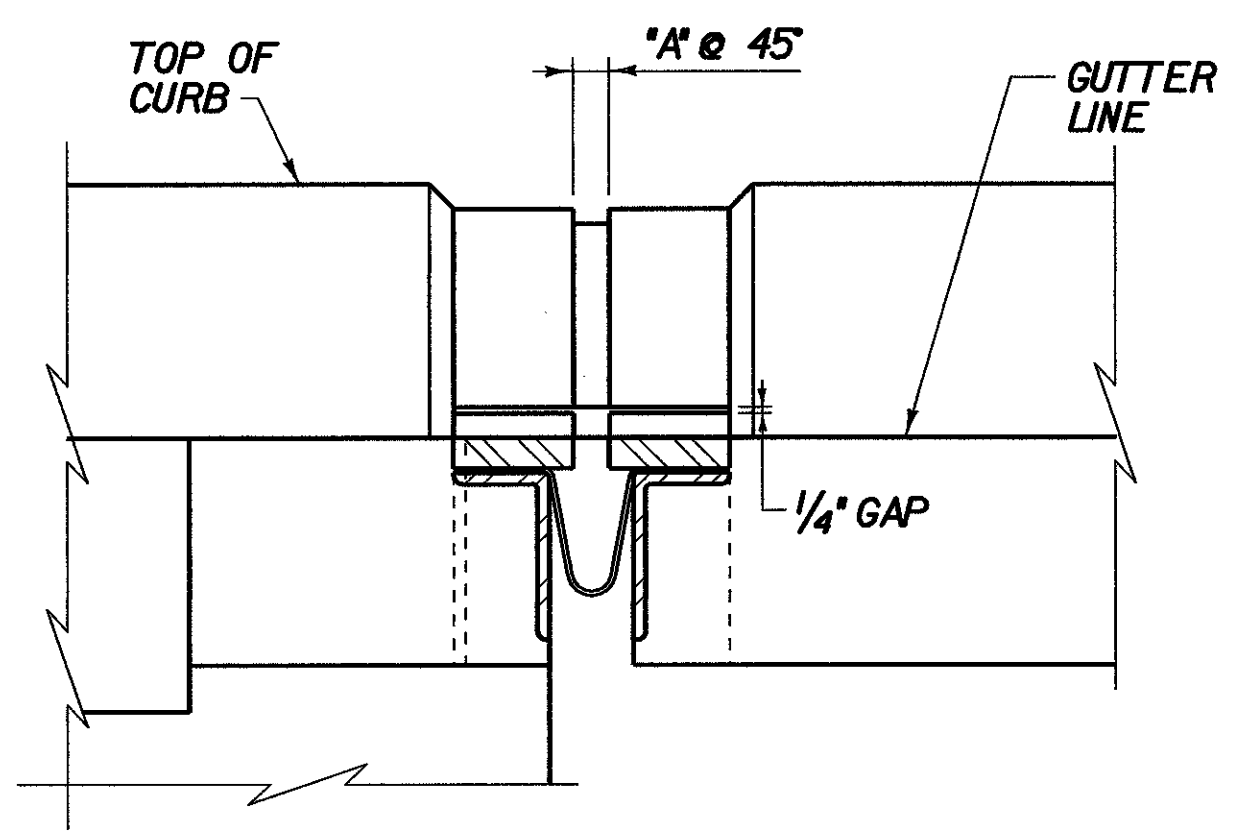


H SECTION H-H
 BR11 SCALE 1" = 1'-0"
 1 9 6 3 0 2

NOTES:
 ANCHOR BOLTS, NUTS & WASHERS TO BE GALVANIZED. STUD ANCHOR BOLTS SHALL BE CAPABLE OF CARRYING 3 KIPS IN TENSION AND 3 KIPS IN SHEAR.
 8" x 8" x 1/4" STRUC. TUBE (GALV. OR METALIZED).

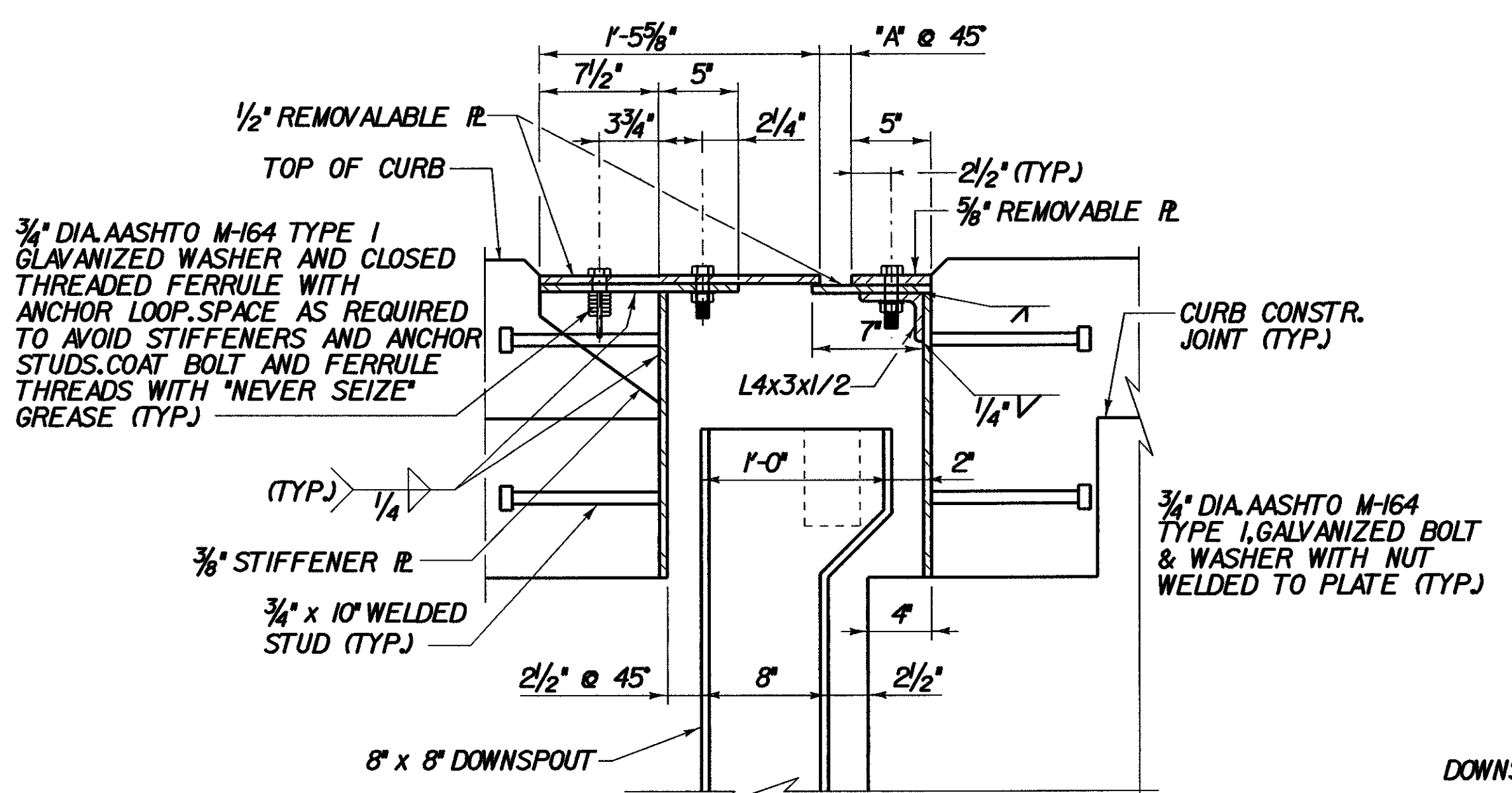


D D D JOINT SECTION
 BR218 BR318 BR319 SCALE 1 1/2" = 1'-0"
 1 9 6 3 0 1

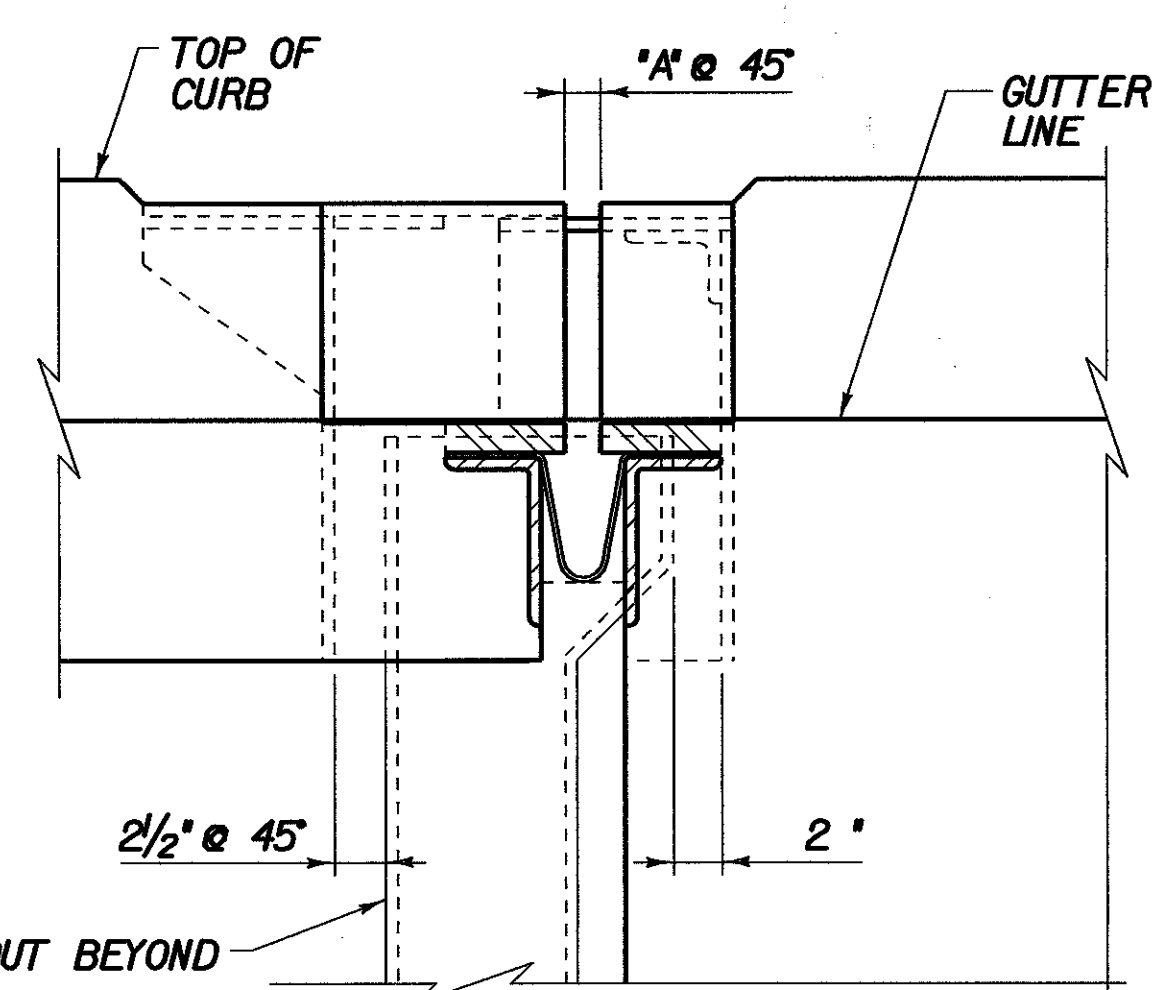


E E E JOINT SECTION
 BR218 BR318 BR319 (BR318 SHOWN, BR218 & BR319, OPP. HAND)
 SCALE 1 1/2" = 1'-0"
 1 9 6 3 0 1

1/2 x 3" R. SEE DETAIL THIS SHEET (TYP. AT ABUTMENT STEM)
 ATTACH DOWNSPOUT TO ABUTMENT STEM. ATTACHMENT SPACED 2'-0" FROM ABUTMENT SEAT & EVERY 3'-0" AS REQUIRED

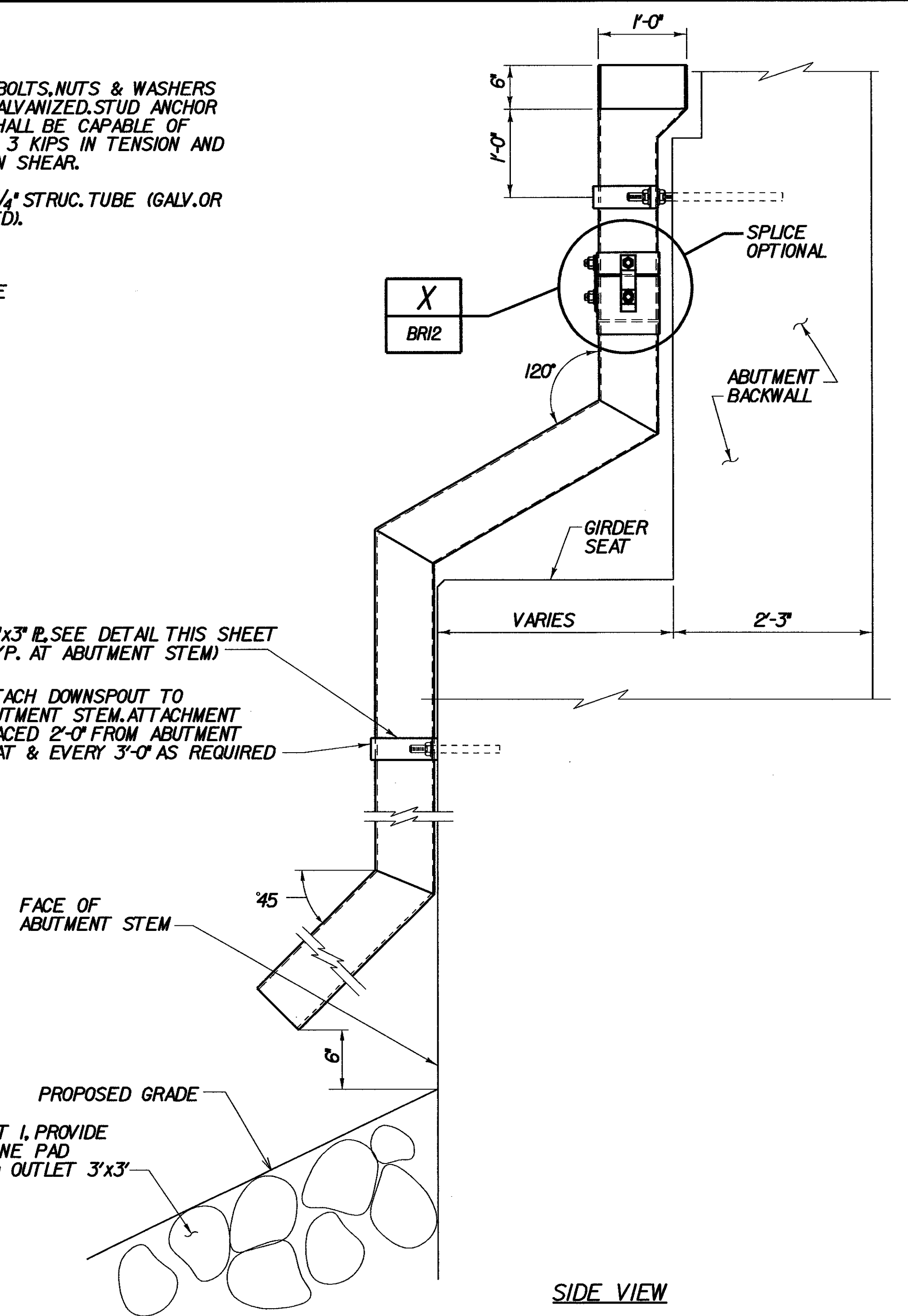


F F F JOINT SECTION
 BR218 BR318 BR319 SCALE 1 1/2" = 1'-0"
 1 9 6 3 0 1



G G G JOINT SECTION
 BR218 BR318 BR319 (BR318 SHOWN, BR218 & BR319 OPP. HAND)
 SCALE 1 1/2" = 1'-0"
 1 9 6 3 0 1

AT ABUTMENT 1, PROVIDE TYPE IV STONE PAD CENTERED @ OUTLET 3'x3'



I SIDE VIEW
I DOWNSPOUT DETAIL
 BR11 SCALE 1" = 1'-0"
 1 9 6 3 0 2

STATE OF VERMONT AGENCY OF TRANSPORTATION

Town Of	SEARSBURG	Bridge No.	
Highway No.	VT. RTE. 9	Log Sta.	
VT. RTE. 9 OVER DEERFIELD RIVER			
TYPICAL 'VT TYPE' EXPANSION JOINT DETAILS - 3			
Designed By	D. VIENI	Drawn by	B. DILLENBECK
Checked By	M. OLSTAD	Bridge Design Supervisor	M. OLSTAD
Date	2/2002	Date	2/2002
PROJECT	SEARSBURG - WILMINGTON	PROJECT NO.	NHF 010-(18)
L.G.C. Info.			
Bridge Sheet No. BR11		Sheet 103 OF 435	

CHA CLOUGH, HARBOUR & ASSOCIATES LLP
 ENGINEERS, SURVEYORS, PLANNERS & LANDSCAPE ARCHITECTS
 11 WINNERS CIRCLE ALBANY, NEW YORK, 12208

FILE NAME: \\s1748983\structures\consultants\022802\15\brdg.tpd\exp_jr\dsd.dgn
 DATE/TIME: 23-FEB-2002 10:58:10
 USER: BRVH1\scamb