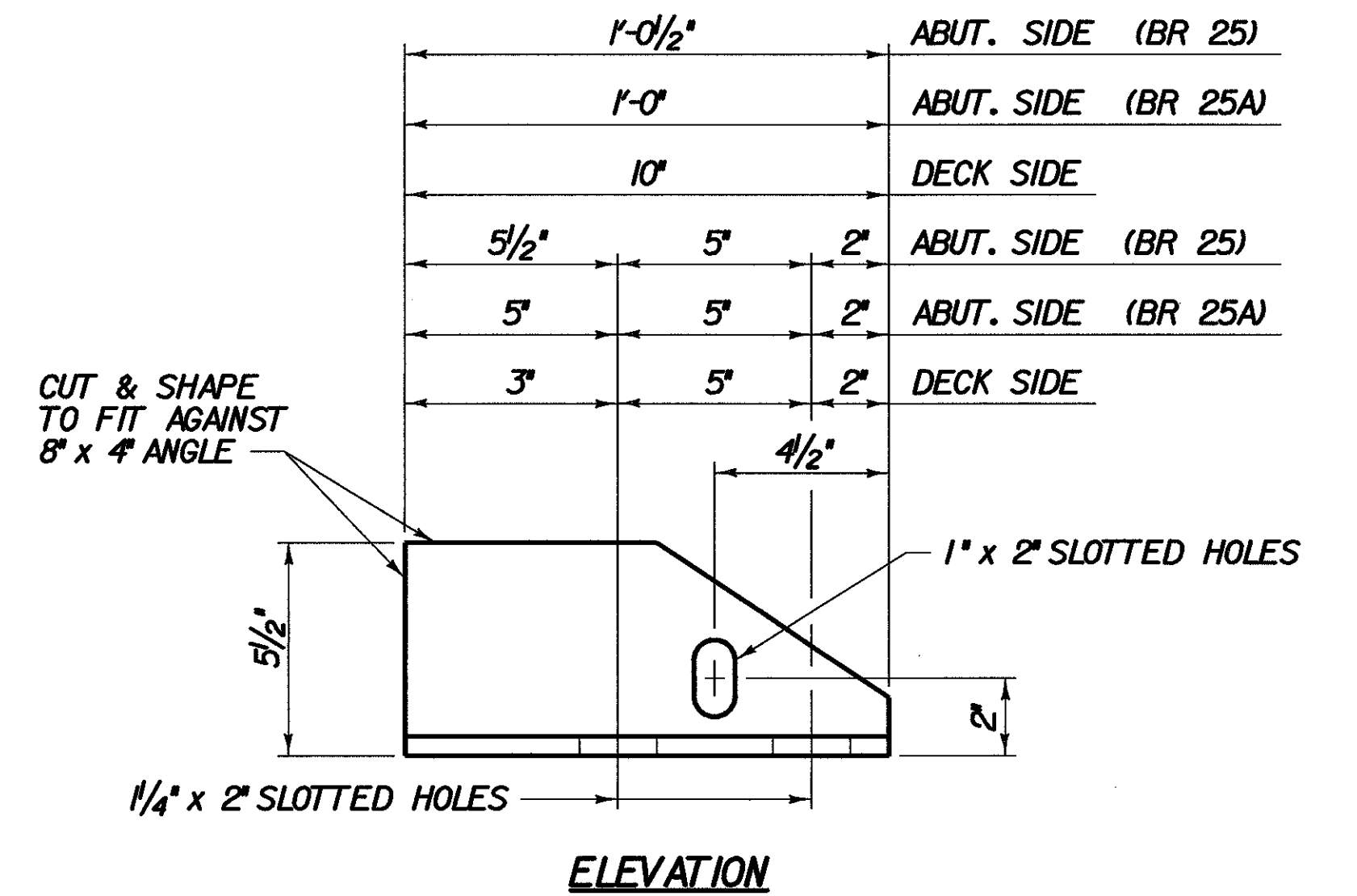
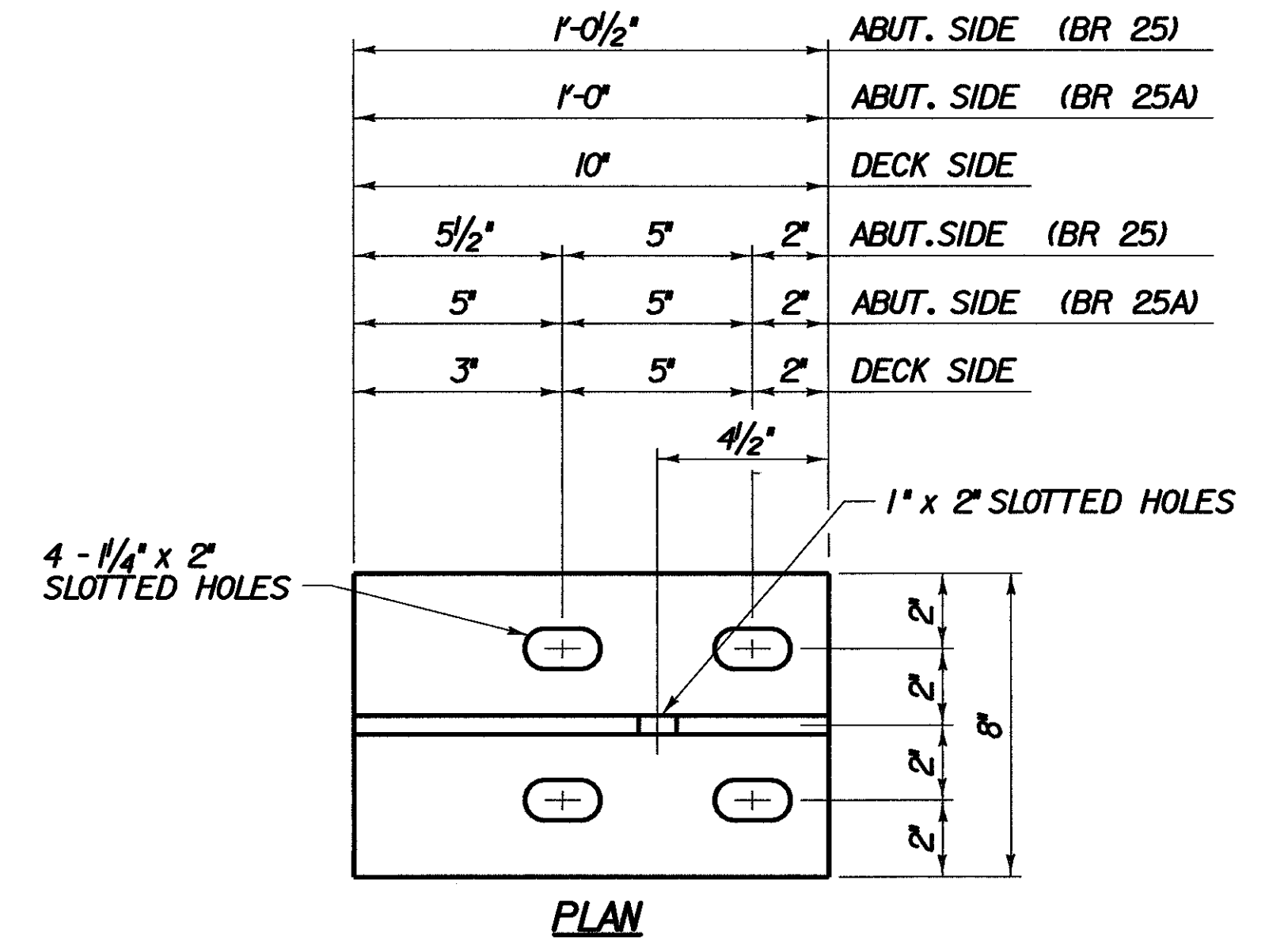
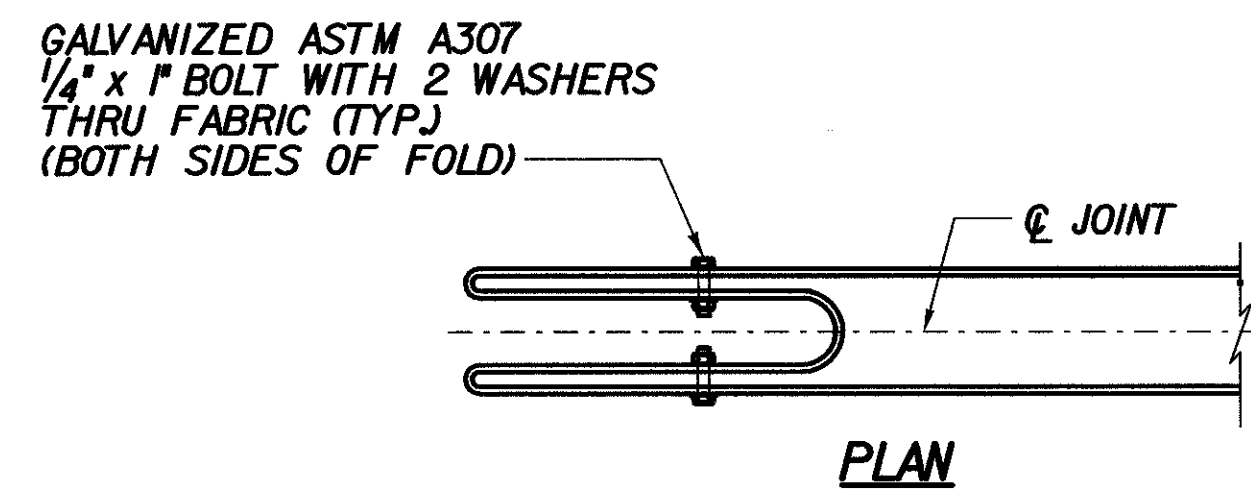
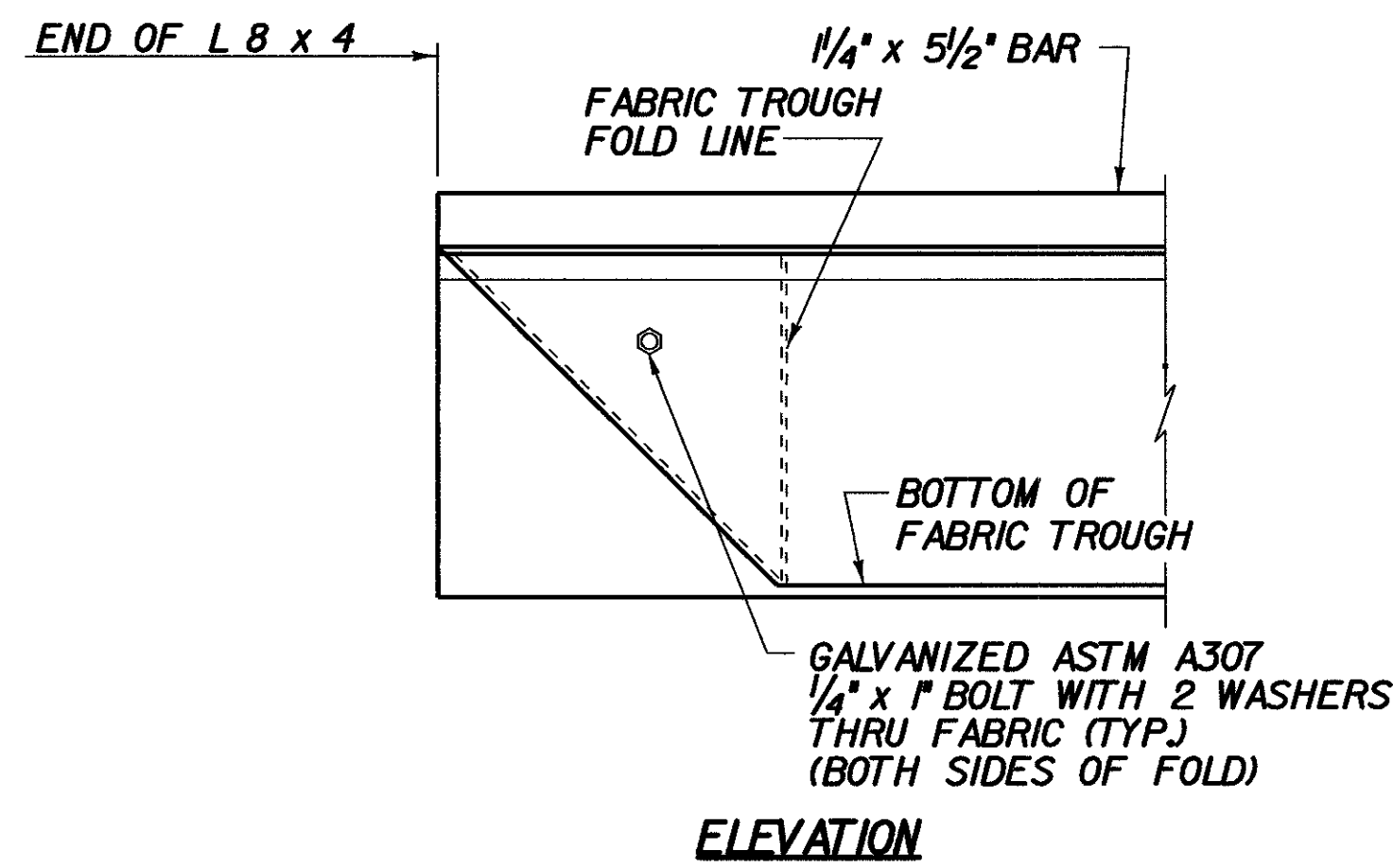


NOTE:  
A DRIP BEAD OF POLYURETHANE JOINT SEALER IS TO BE APPLIED TO THE UNDERSIDE OF THE FABRIC TROUGH AS SHOWN, WITH THE COST TO BE SUBSIDIARY TO THE ITEM "BRIDGE EXPANSION JOINT"

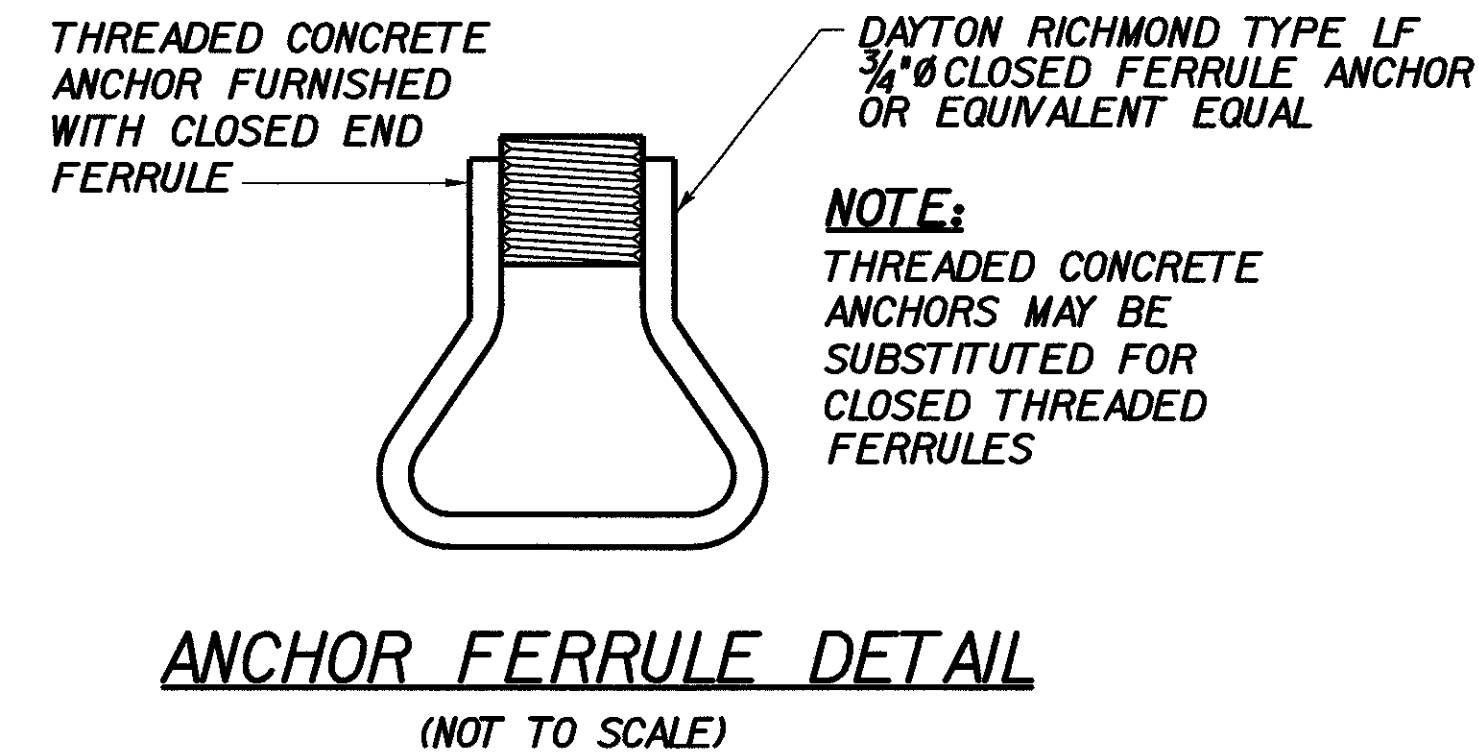
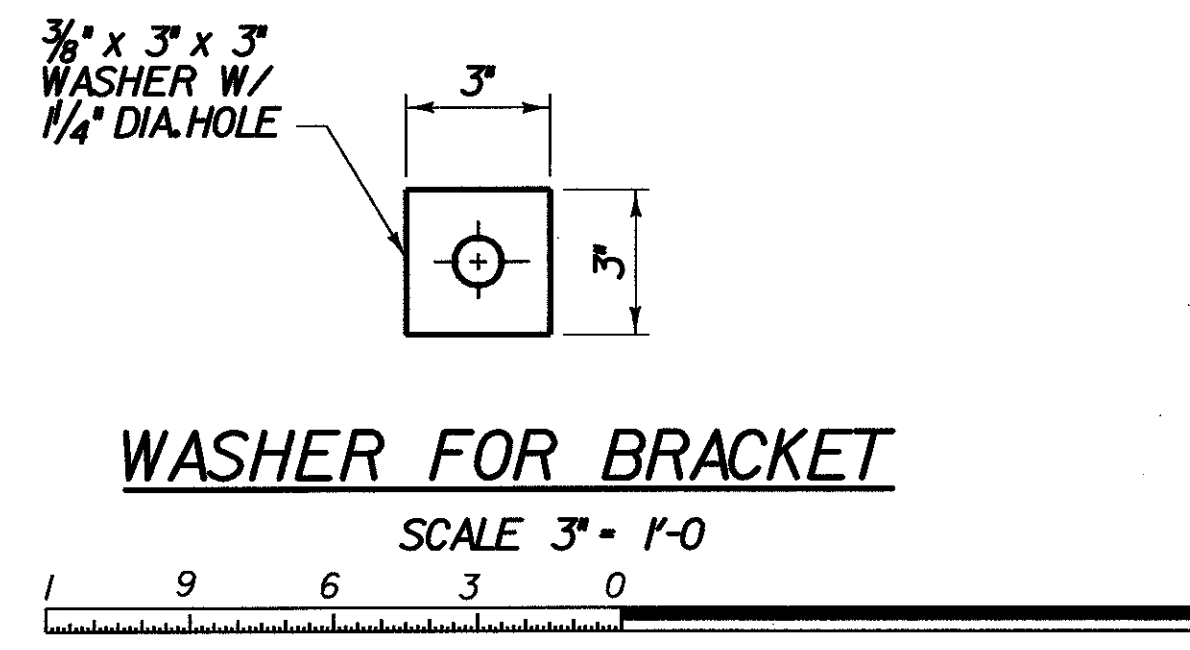
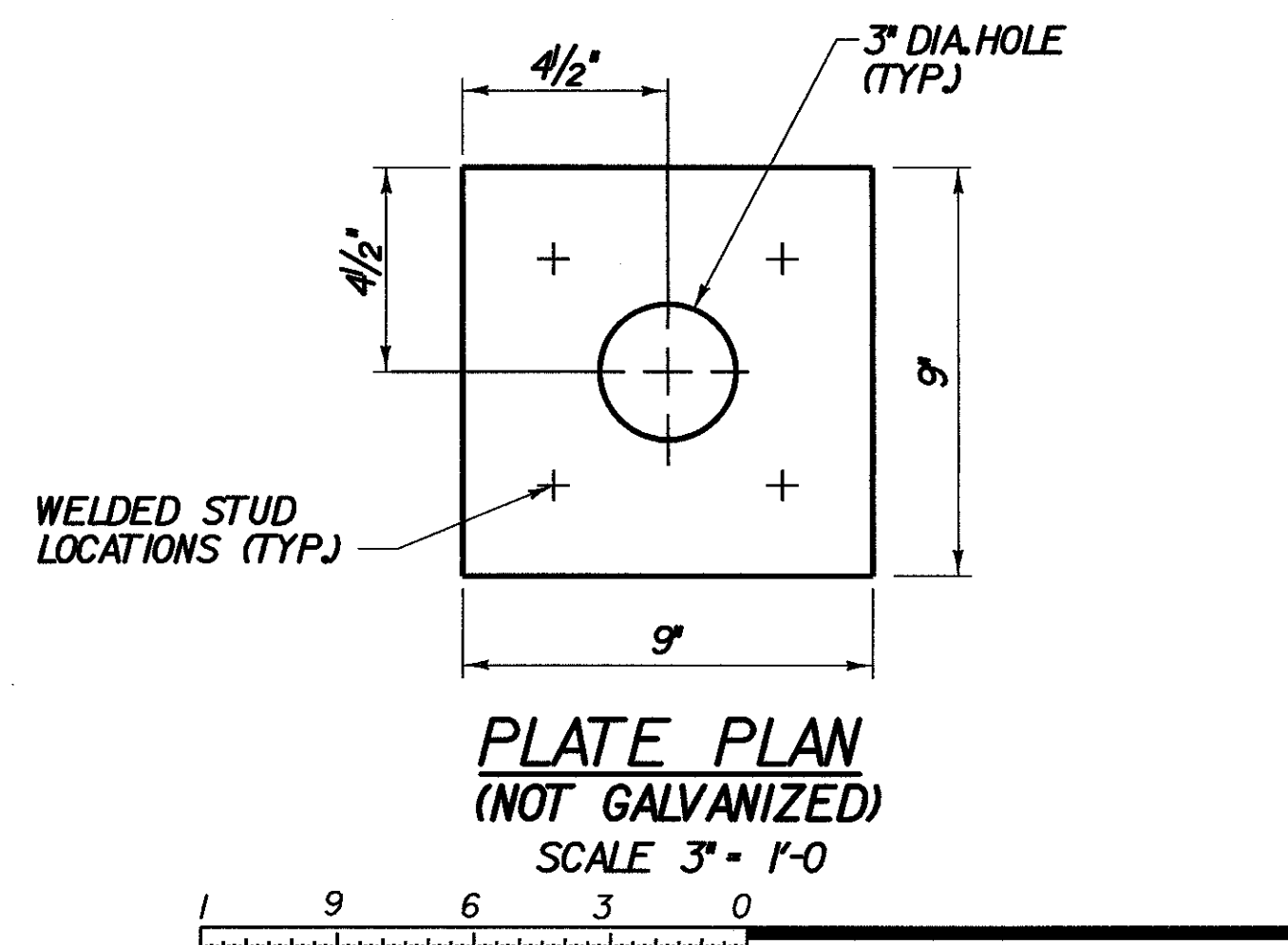


**BRACKET DETAILS**

SCALE 3" = 1'-0"



NOTE: ALL BRACKET PLATES 1/2" THICK



**STATE OF VERMONT  
AGENCY OF TRANSPORTATION**

Town Of	SEARSBURG	Bridge No.	
Highway No.	VT. RTE. 9	Log Sta.	
VT. RTE. 9 OVER DEERFIELD RIVER			
TYPICAL "VT TYPE" EXPANSION JOINT DETAILS - 2			
Designed By	D. VIENI	Drawn by	K. DETRICK
Checked By	M. OLSTAD	Bridge Design Supervisor	M. OLSTAD
Date	2/2002	Date	2/2002
PROJECT	SEARSBURG - WILMINGTON	PROJECT NO.	NHF 010-118
I.G.C. Info.			
Bridge Sheet No. BR10		Sheet 102 OF 435	

**CHA** CLOUGH, HARBOUR & ASSOCIATES LLP  
ENGINEERS, SURVEYORS, PLANNERS & LANDSCAPE ARCHITECTS  
11 WINNERS CIRCLE ALBANY, NEW YORK 12208