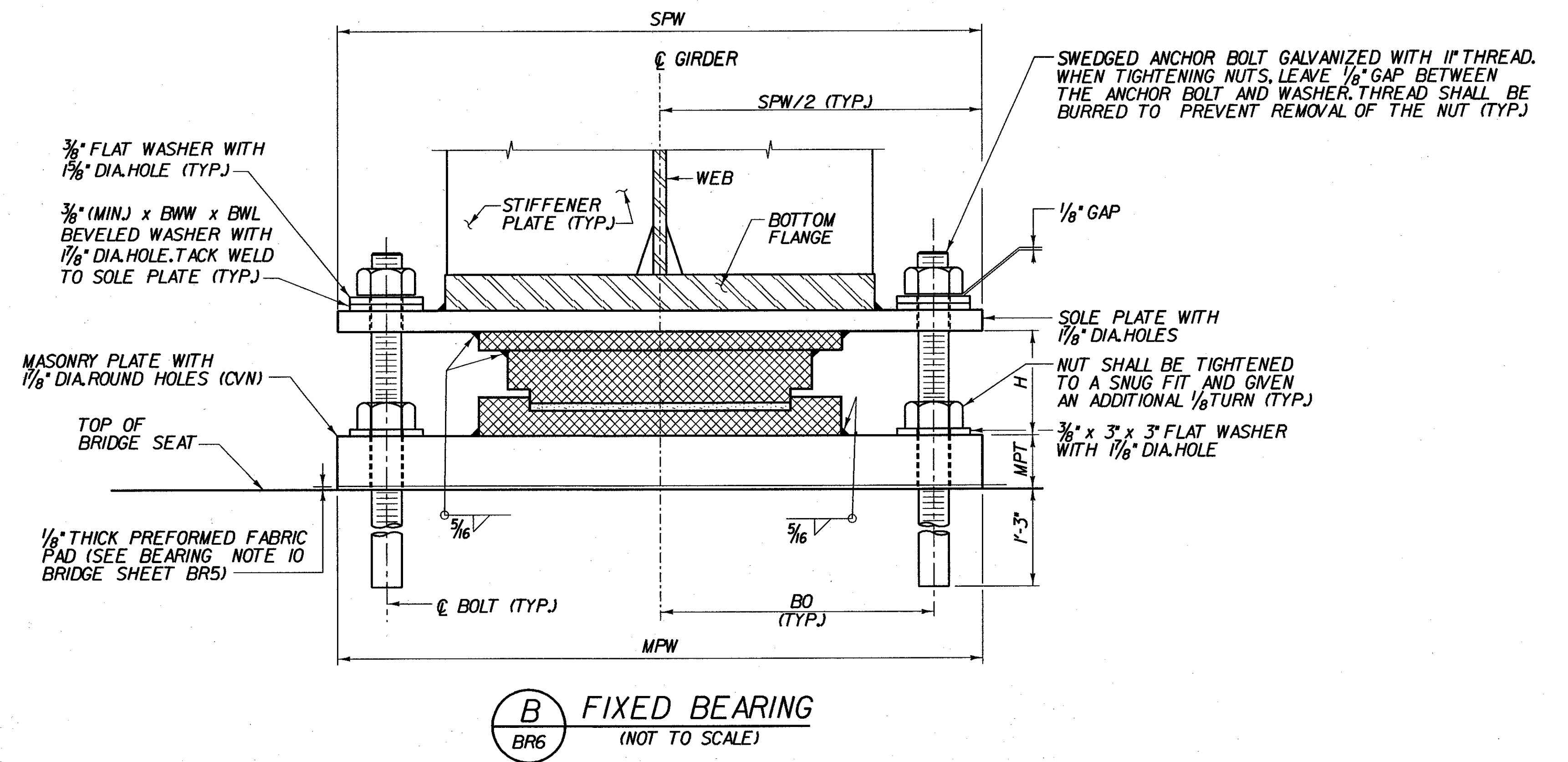
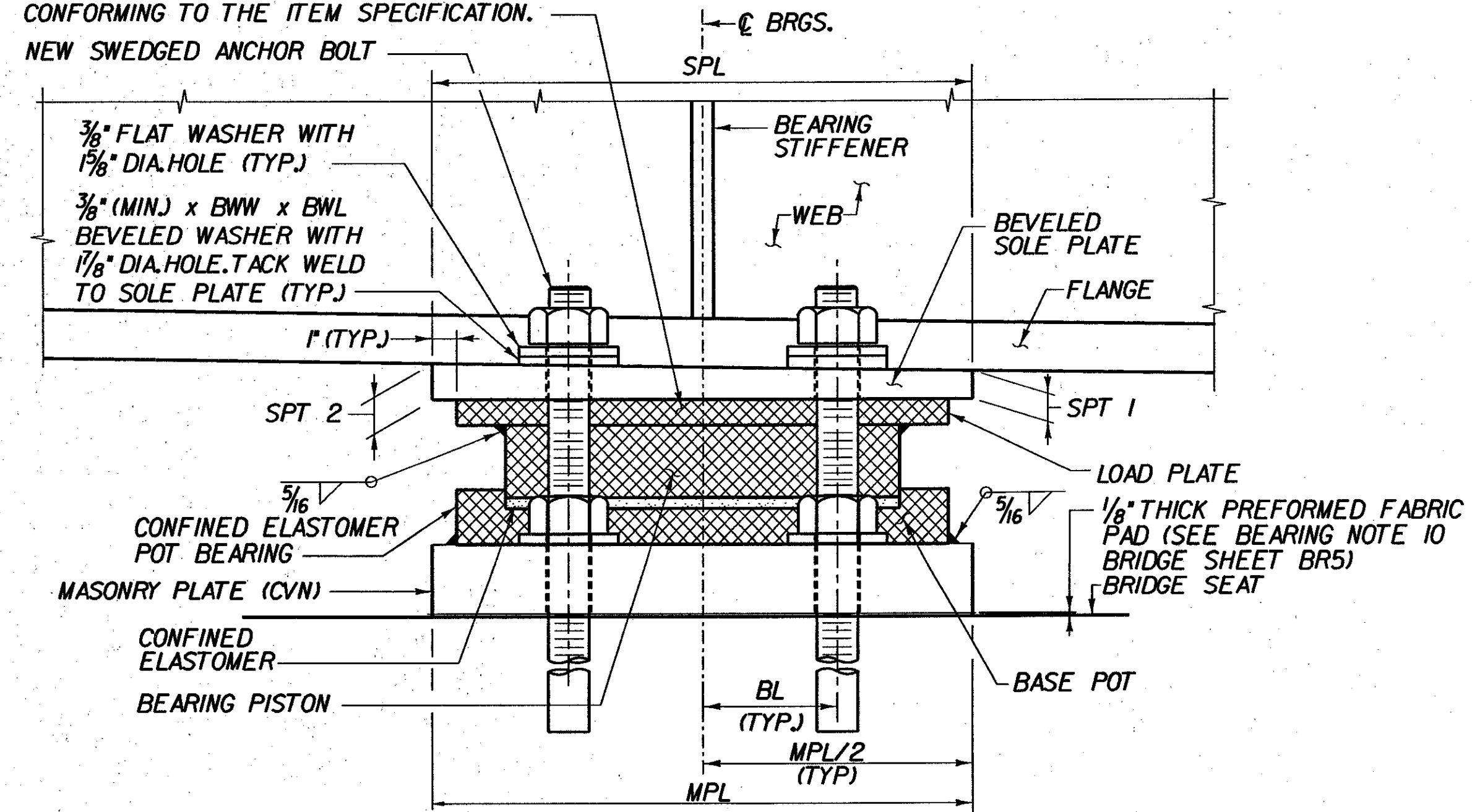


PLAN
(NOT TO SCALE)

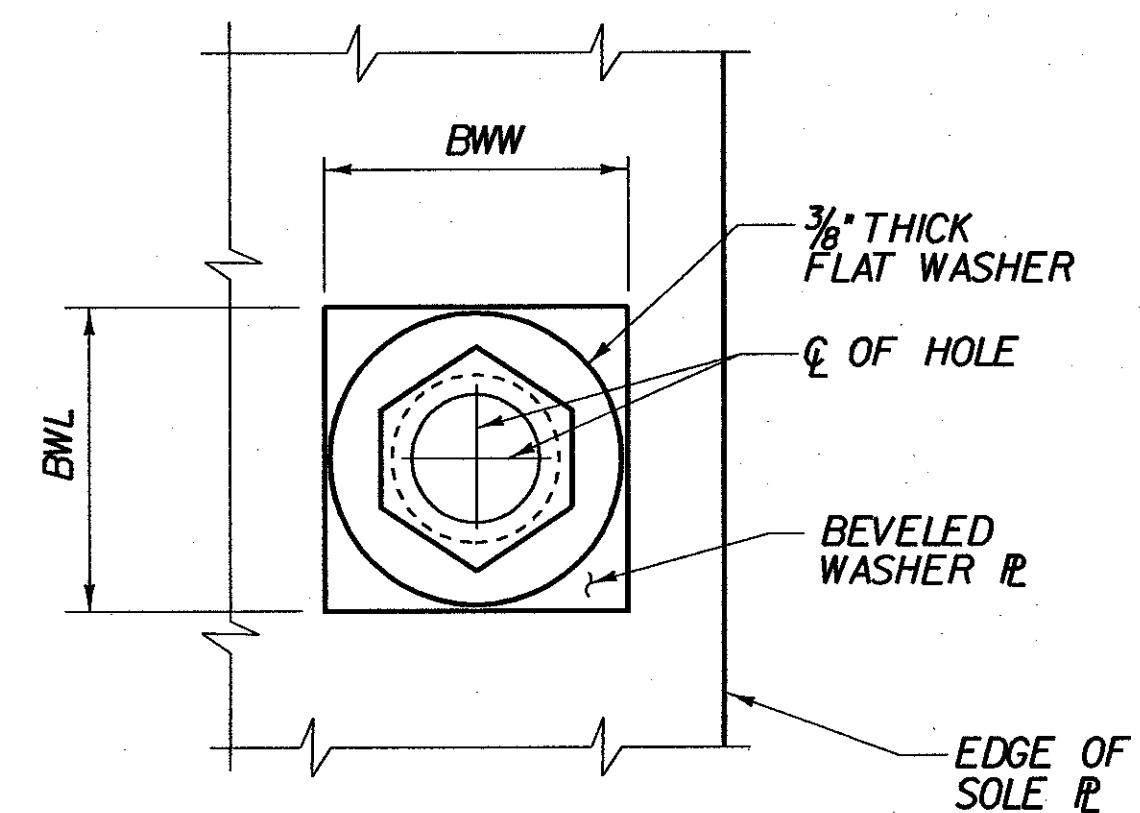


B FIXED BEARING
(NOT TO SCALE)

THE CROSS HATCHED COMPONENTS OF THE BEARING ARE SHOWN FOR REPRESENTATIVE PURPOSES ONLY. THE ACTUAL CONFIGURATION OF THE COMPONENTS WILL BE DEPENDENT UPON THE SPECIFIC BEARING CONFORMING TO THE ITEM SPECIFICATION.



A FIXED BEARING
(NOT TO SCALE)



1 TYPICAL WASHER PLATE DETAIL
(NOT TO SCALE)

** BEARINGS SHALL BE CAPABLE OF MAINTAINING A MINIMUM LOAD OF 20% OF MAXIMUM DESIGN CAPACITY AT ALL TIMES.
 *** ALL BEARINGS SHALL BE CAPABLE OF RESISTING BOTH THEIR MAXIMUM HORIZONTAL AND VERTICAL DESIGN LOADS
 FOR FIX BEARING GEOMETRY TABLES SEE BR7

**STATE OF VERMONT
AGENCY OF TRANSPORTATION**

Town of	SEARSBURG	Bridge No.	
Highway No.	VT. RTE. 9	Log Sta.	
		Surv. Sta.	
VT. RTE. 9 OVER DEERFIELD RIVER			
FIXED BEARING DETAILS			
Designed By	D. VIENI	Drawn by	K. DETRICK
Checked By	M. OLSTAD	Date	2/2002
		Bridge Design Supervisor	M. OLSTAD
		Date	2/2002
PROJECT	SEARSBURG - WILMINGTON	PROJECT NO.	NHF 010-1018
I.G.C. Info.			
Bridge Sheet No. BR6		Sheet 99 of 435	