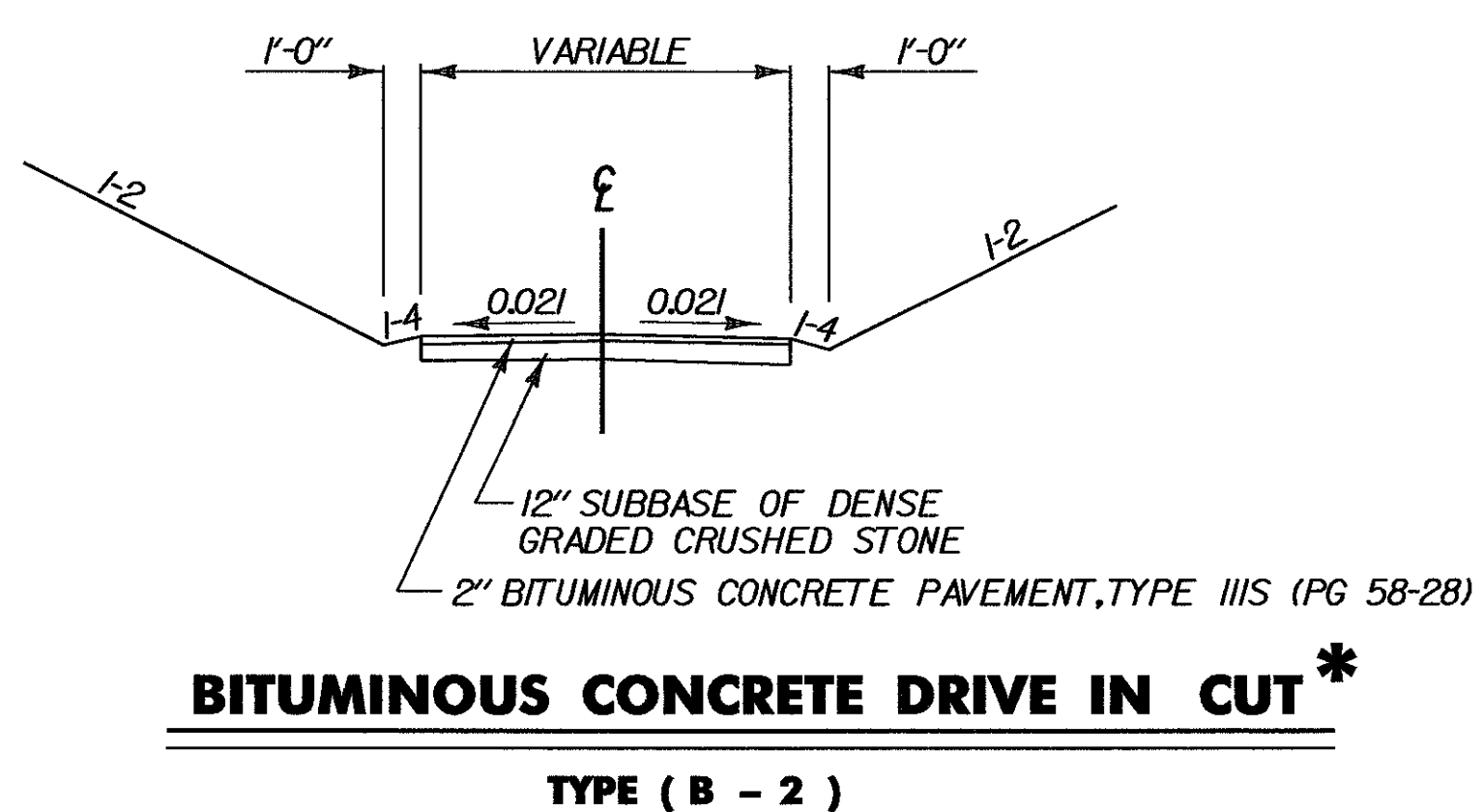
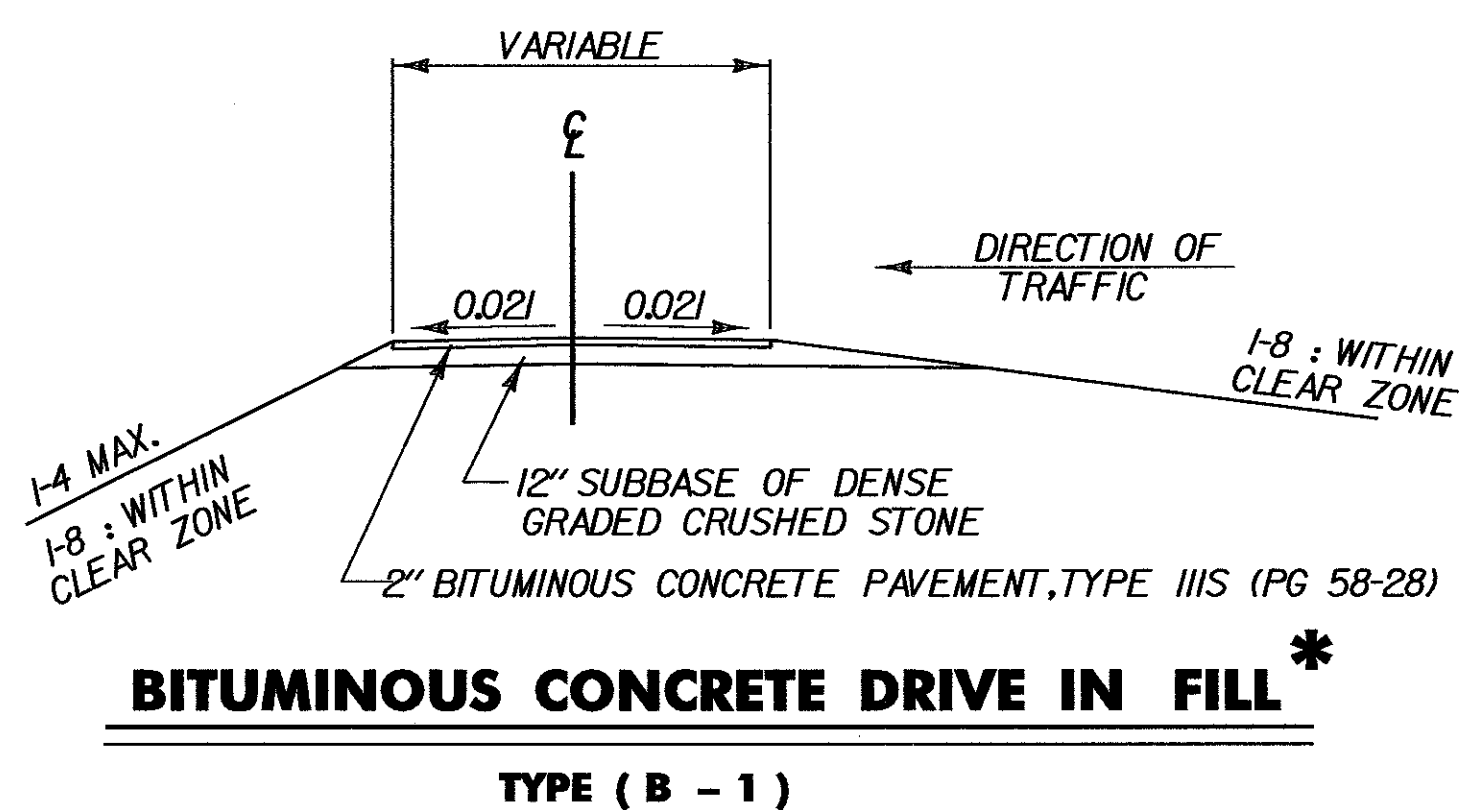
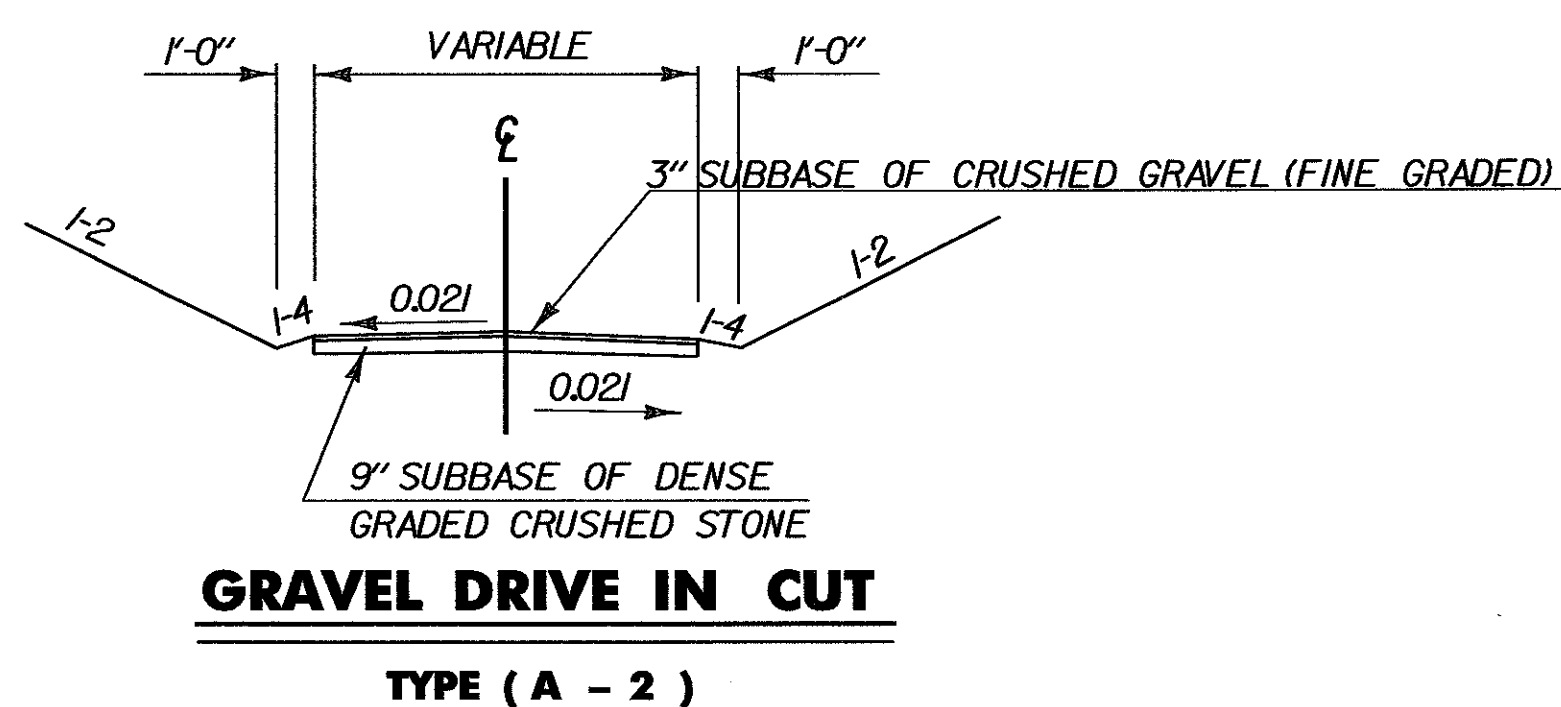
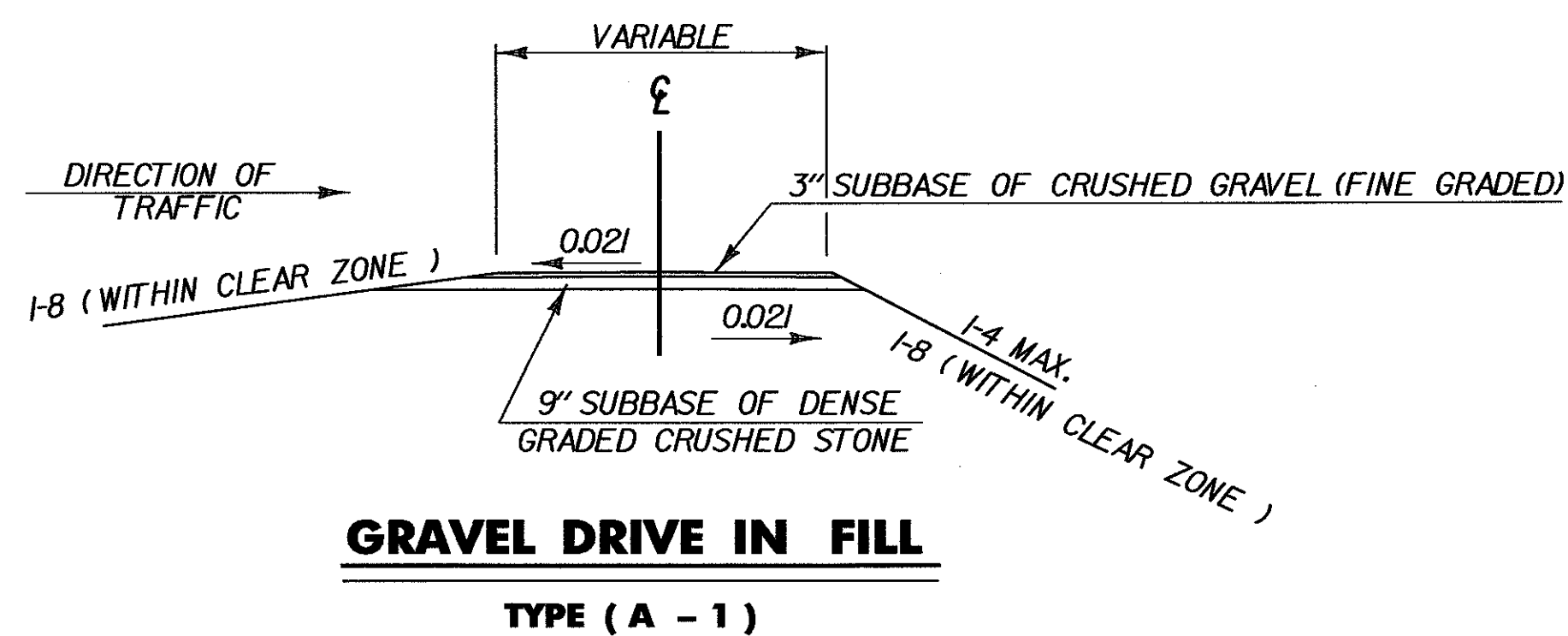
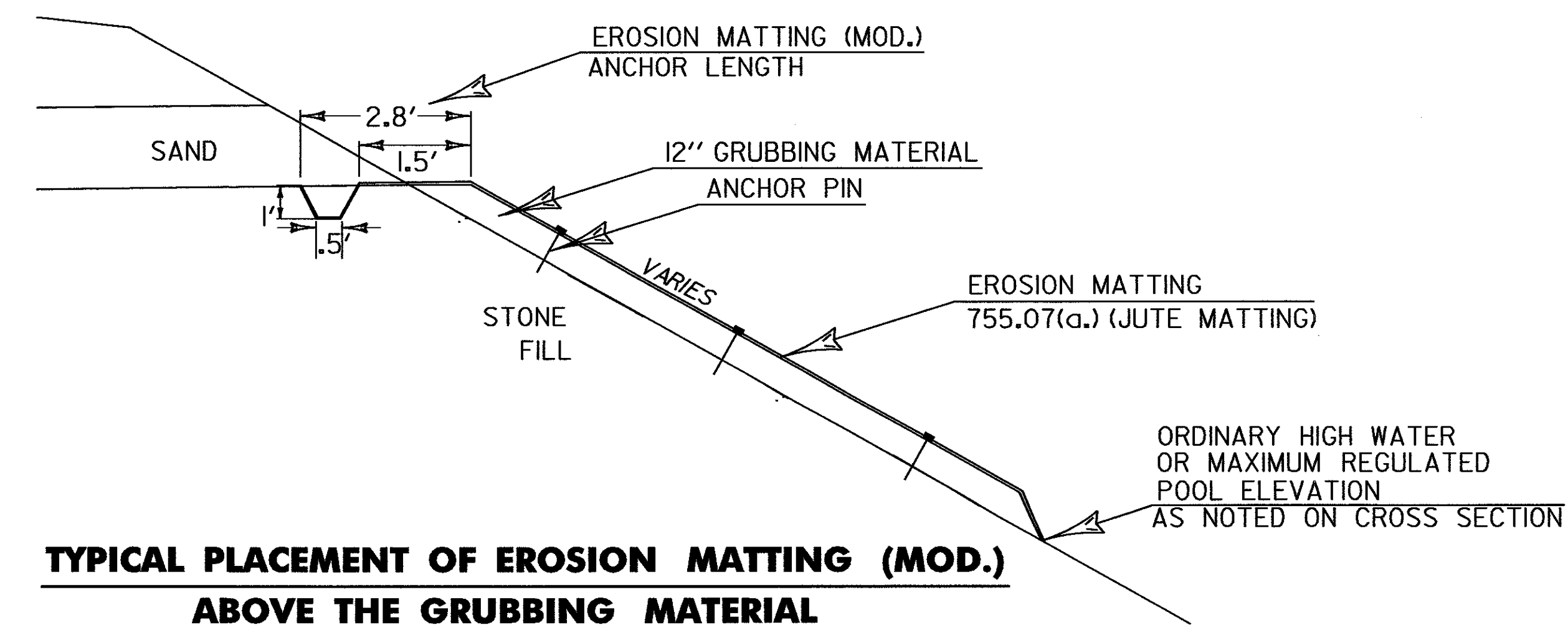
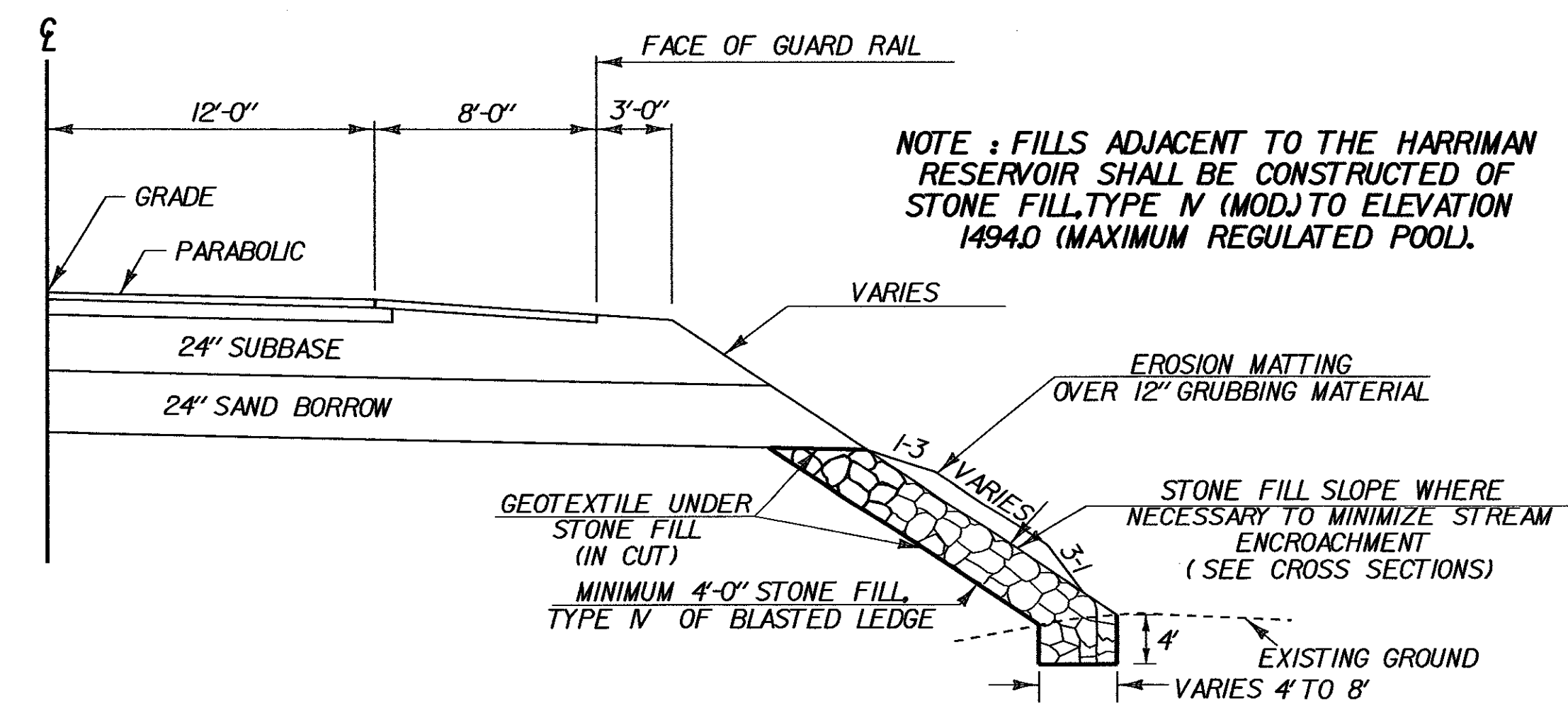
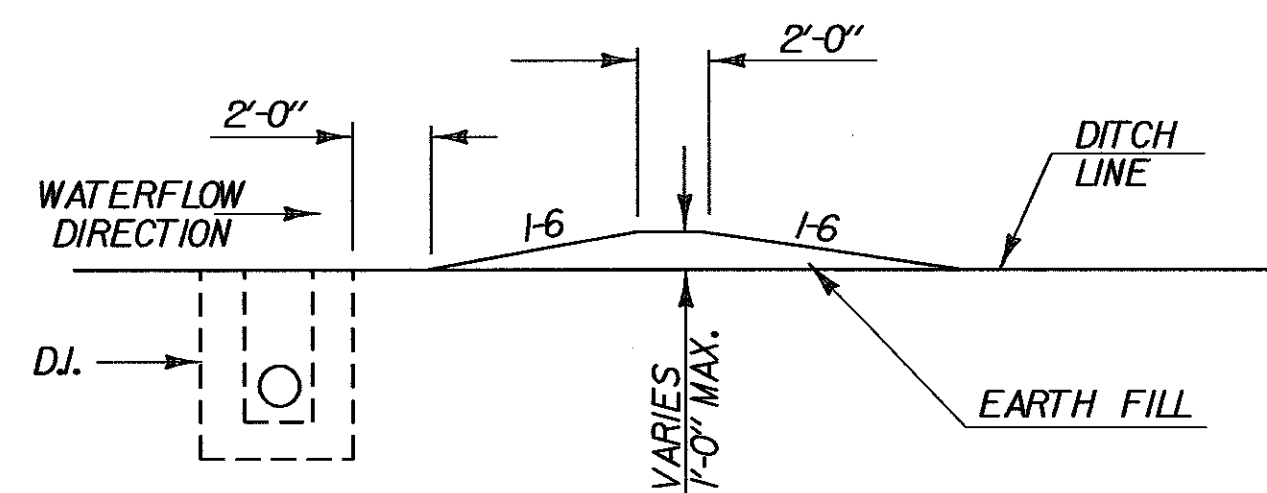
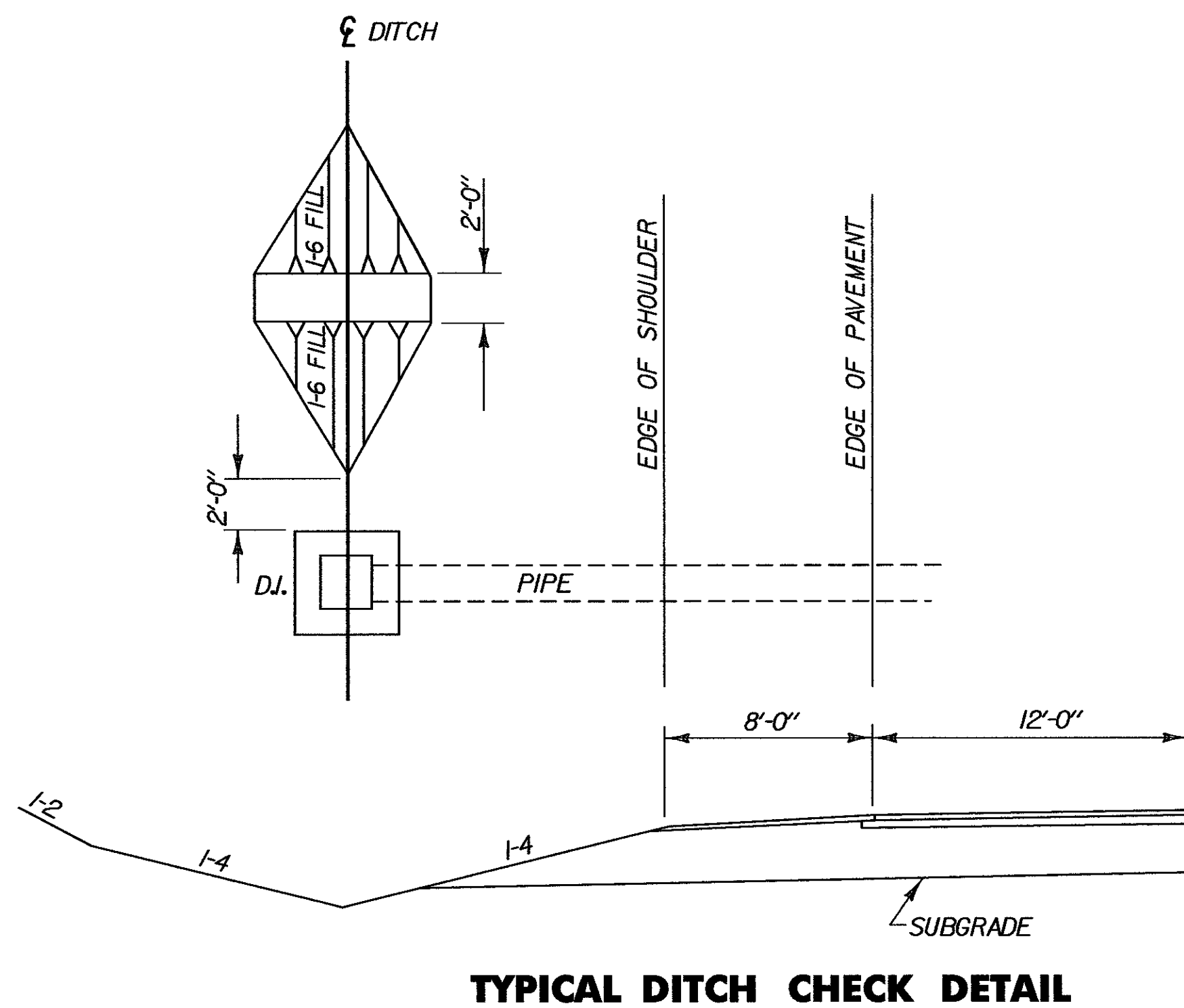
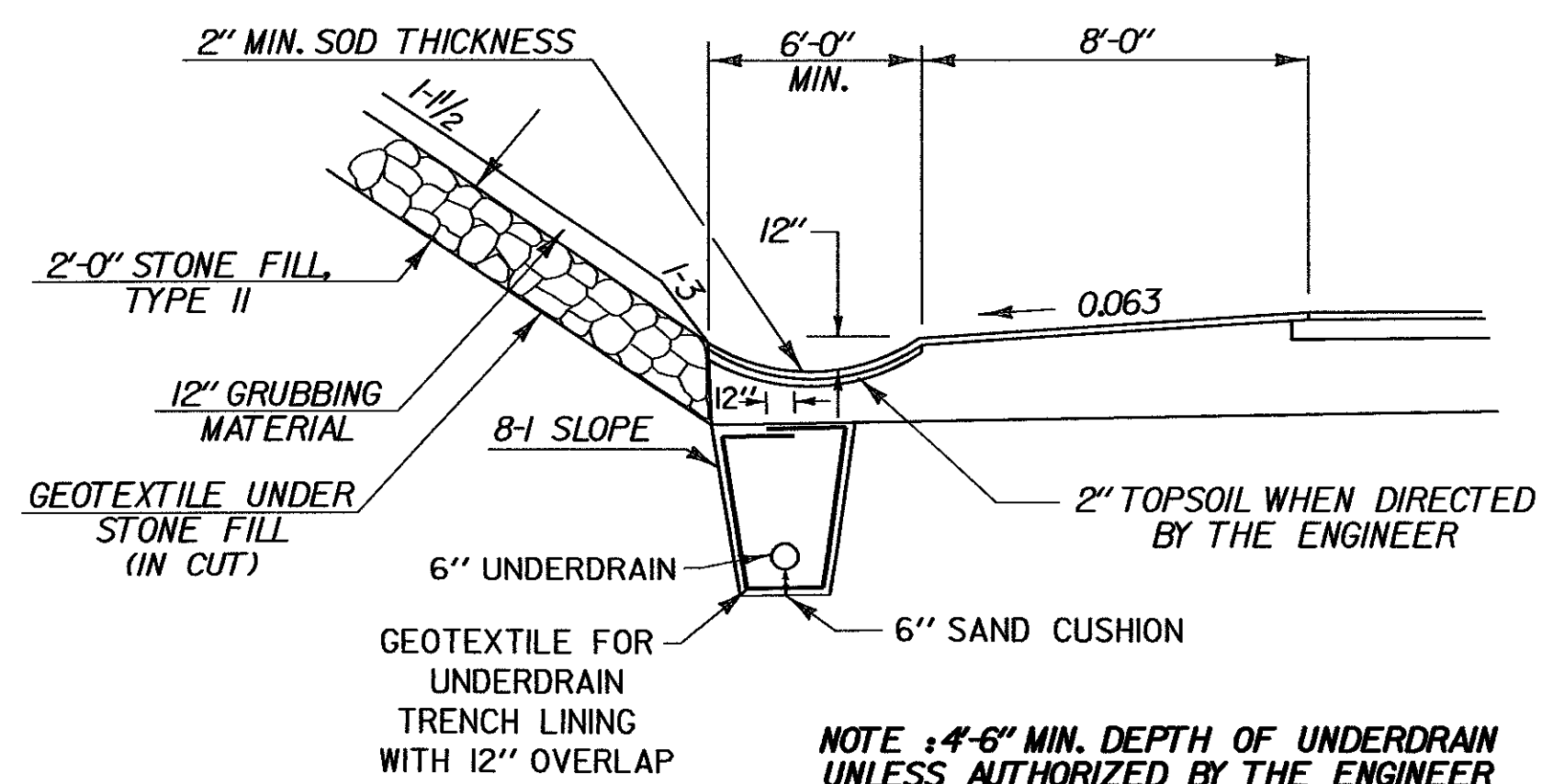


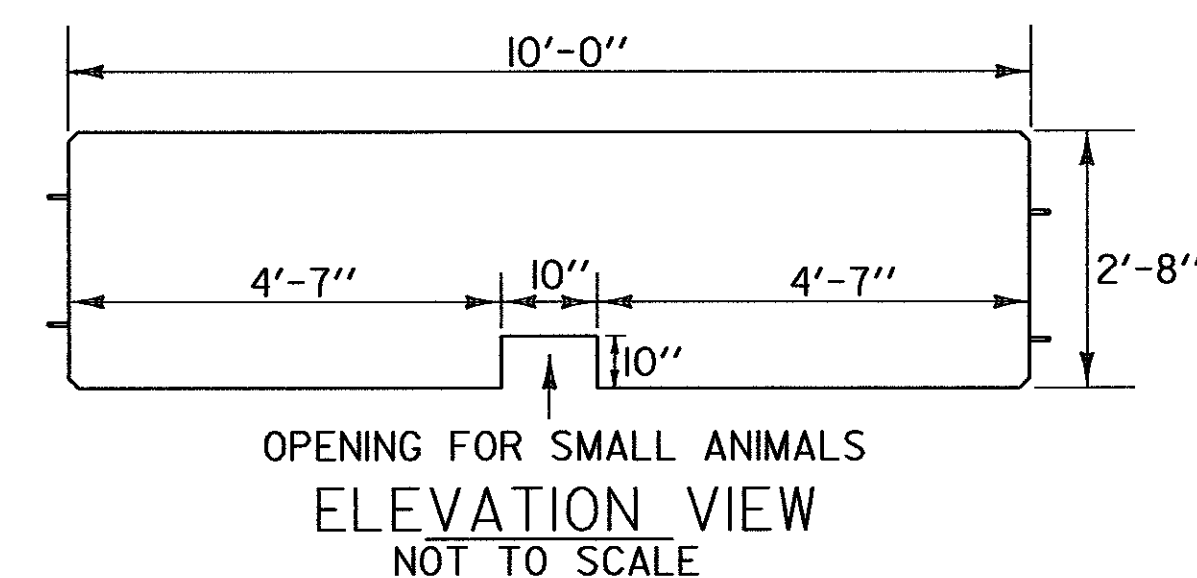
MISC. TYPICAL SHEET



* ALSO TYPICAL FOR CUL-DE-SAC



WHERE TEMPORARY TRAFFIC BARRIER IS REQUIRED EVERY 10TH SECTION WILL BE THIS MODIFIED TUNNEL PASSAGEWAY FOR SMALL ANIMALS



NOT TO SCALE

PROJECT: SEARSBURG - WILMINGTON	PROJECT NO. : NHF 010 - 1 (18)
DESIGN FILE NAME: 7780096/DESIGN/DD096TYP.DGN	PLOT DATE: 19-FEB-2002
IPARM FILE NAME: DD096TY3	SURVEY DATE:
SURVEYED BY:	DRAWN BY: SQUAD B
SQUAD LEADER: DELLA SANTA	SHEET: 5 OF 435