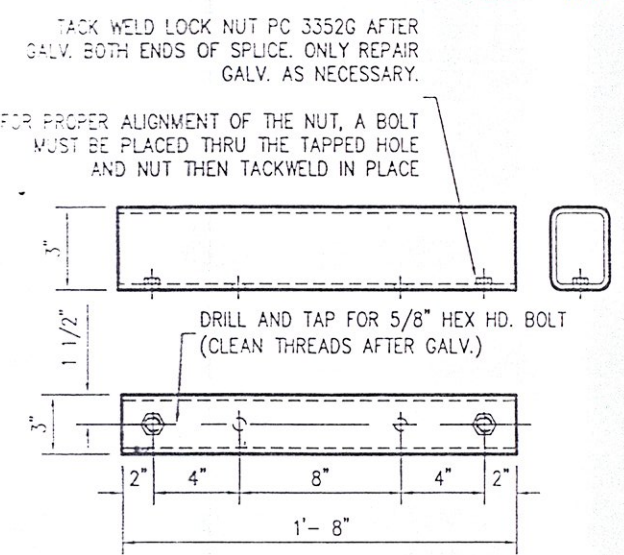
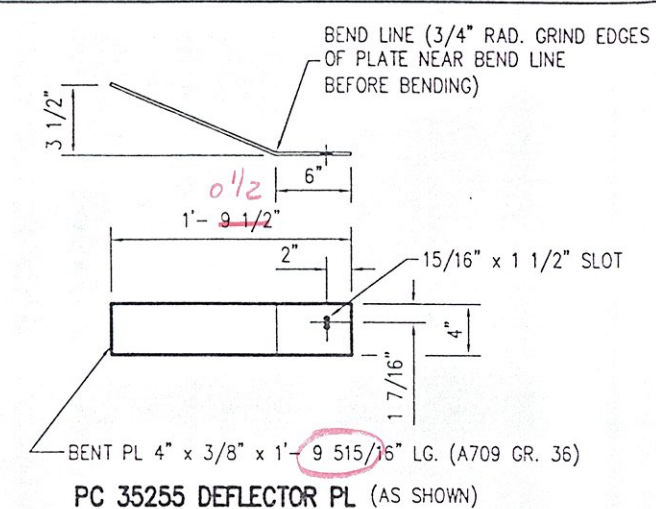


PC 24808 POST

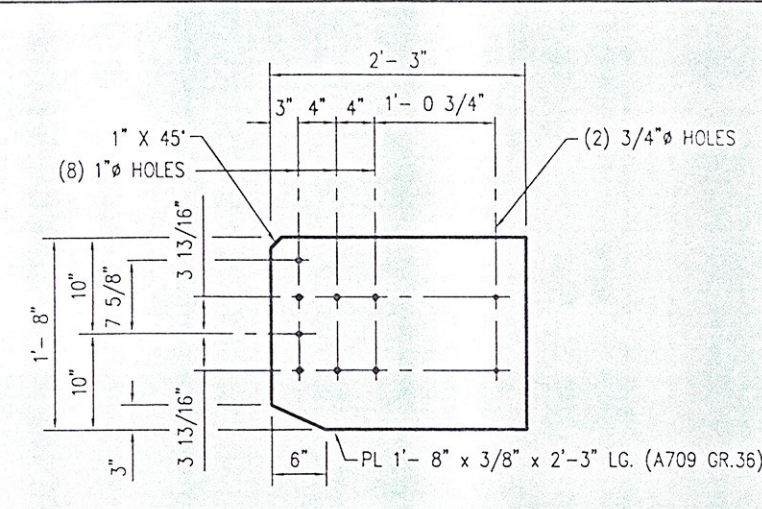
RECEIVED
 OK'D BY _____ OK'D BY _____
 APR 22 2003
 RESUBMIT _____ APPROVED *A. Niles*
 BY *RSW* DATE 4-21-03



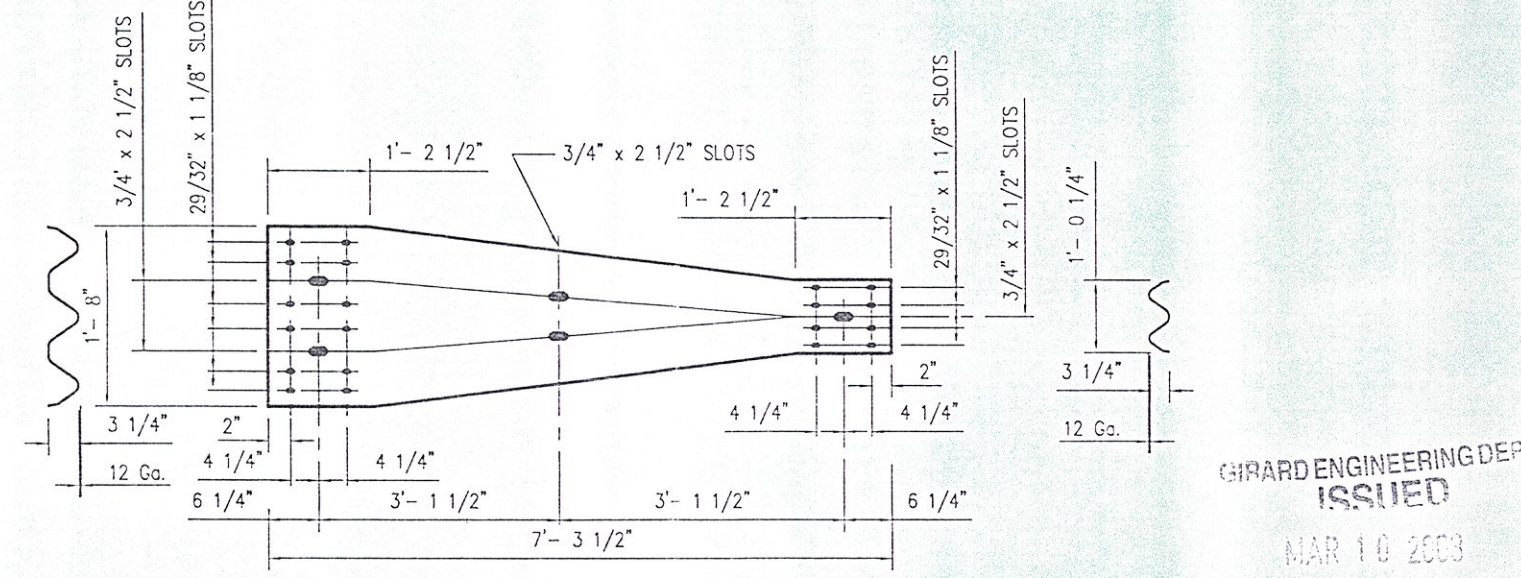
PC 35103 BOTTOM SPLICE TS 3\"/>



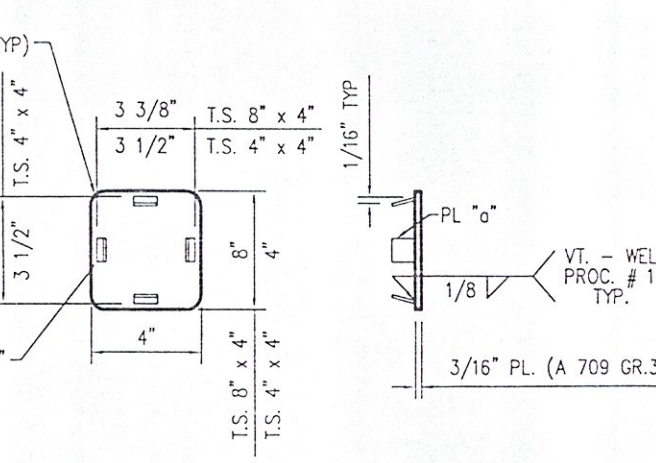
PC 35255 DEFLECTOR PL (AS SHOWN)
 PC 35256 DEFLECTOR PL (OPP. HAND)



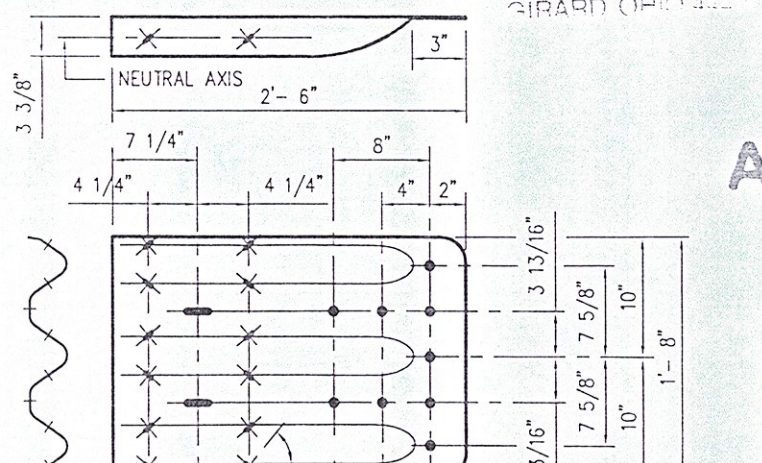
PC 35253 CONNECTION PL



PC 974 TRANSITION (M150)



PC 32876 8\"/>



PC 35201 TRI-GRD TERMINAL 10 GA. (M180)

BILL OF MATERIAL

PRODUCT CODE	QTY	DESCRIPTION	WT EACH	REMARKS
24808	44	WS x 25 x 8'-0\"/>		
9745	12	TRANSITION	67.8	
35201G	12	TRI-GRD TERMINAL	35.8	
35253	12	CONN. PL 1'-8\"/>		
35255	6	DEFLECTOR PL 4\"/>		
35256	6	DEFLECTOR PL 4\"/>		
32876A	12	TOP END CAP 8\"/>		
32877A	12	BOTTOM END CAP 4\"/>		
35209G	96	PIPE SPACER (3/4\"/>		
35103A	12	BOTTOM SPLICE TS 3\"/>		

HARDWARE

PRODUCT CODE	QTY	DESCRIPTION	WT EACH	REMARKS
3320H	324	5/8\"/>		
3320H	96	5/8\"/>		
3320H	228	PLATE WASHER	0.48	NOT DETAIL
3320H	612	5/8\"/>		
3360H	96	5/8\"/>		
3368H	228	5/8\"/>		
3350H	96	5/8\"/>		
3360H	228	5/8\"/>		
3868H	12	3/4\"/>		
3700H	96	3/4\"/>		
3702H	192	3/4\"/>		
3710H	96	3/4\"/>		
4468H	192	3/4\"/>		
4768H	84	3/4\"/>		
6984H	192	3/4\"/>		

APPROVAL DRAWING

SEE NOTES ON SHEET 30-1006227-01
 ERECTION DETAILS ARE ON SHEET 30-1006227-01

REV: DWG: BY: DATE: RETURN:

PAY ITEM 621.72 BRIDGE APPROACH RAIL T2

STATE OF VERMONT AGENCY OF TRANSPORTATION
 VT ROUTE 9 - TOWNS OF SEARSBURGH & WILMINGTON
 COUNTIES OF BENNINGTON & WINDHAM
 STATE PROJECT NO. NEW BRIDGES (08) VARIOUS BRIDGES

CUSTOMER: NORTHLAND SPECIALTIES P/B M. VERBAL
 TRINITY INDUSTRIES, INC.
 HIGHWAY SAFETY PRODUCTS
 2525 STEWARTS FREEWAY, DALLAS, TX 75207

DATE: 07/27/02
 SCALE: N.T.S.
 SHEET NO. 03 OF 04
 TOTAL SHEETS: 03-1006227-01

This drawing and the information shown thereon is the sole property of TRINITY INDUSTRIES, INC. Neither the drawing nor such information is to be used for any purpose other than that for which it was specifically furnished by TRINITY INDUSTRIES, INC. nor is any reproduction authorized without written permission.