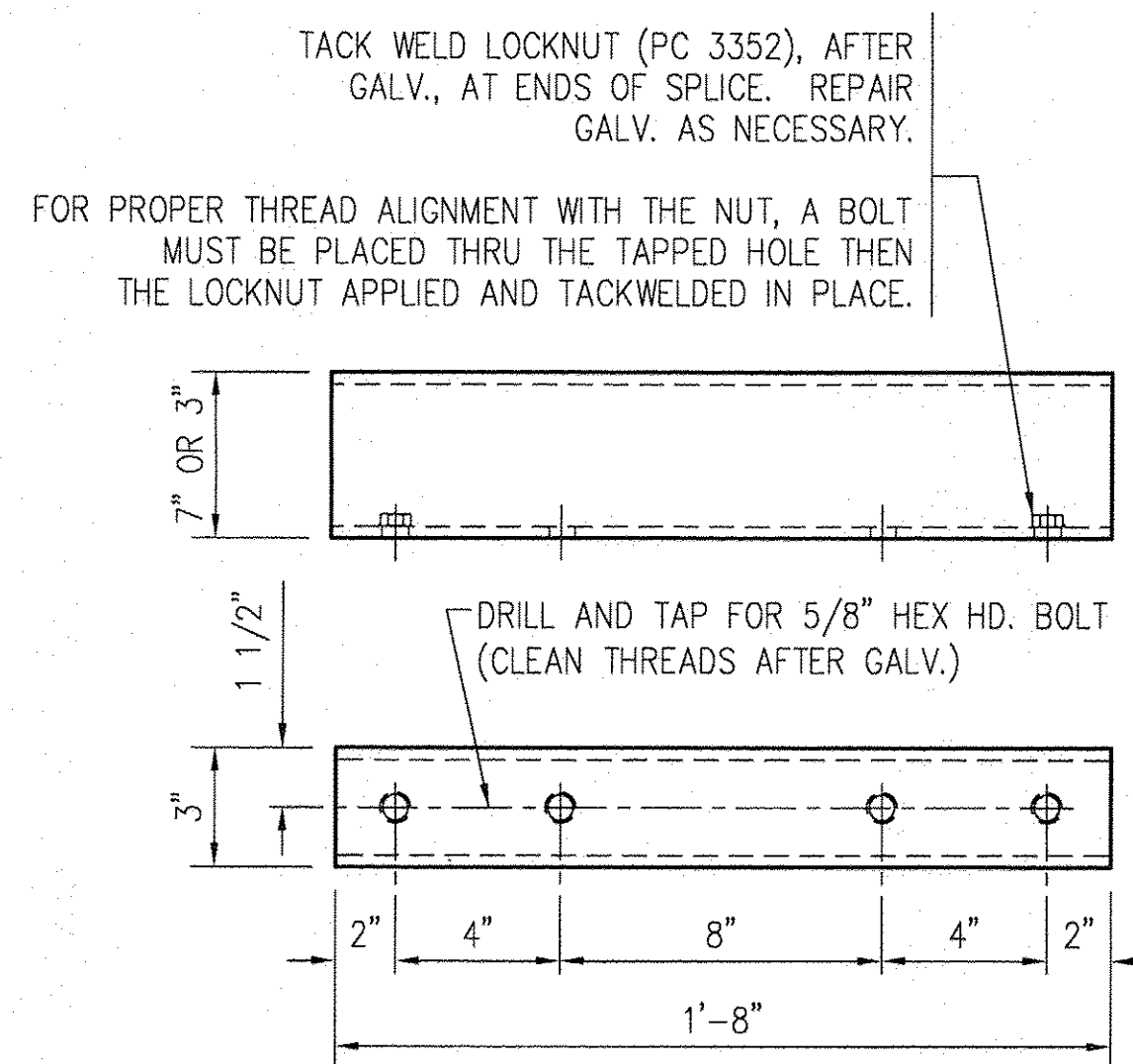
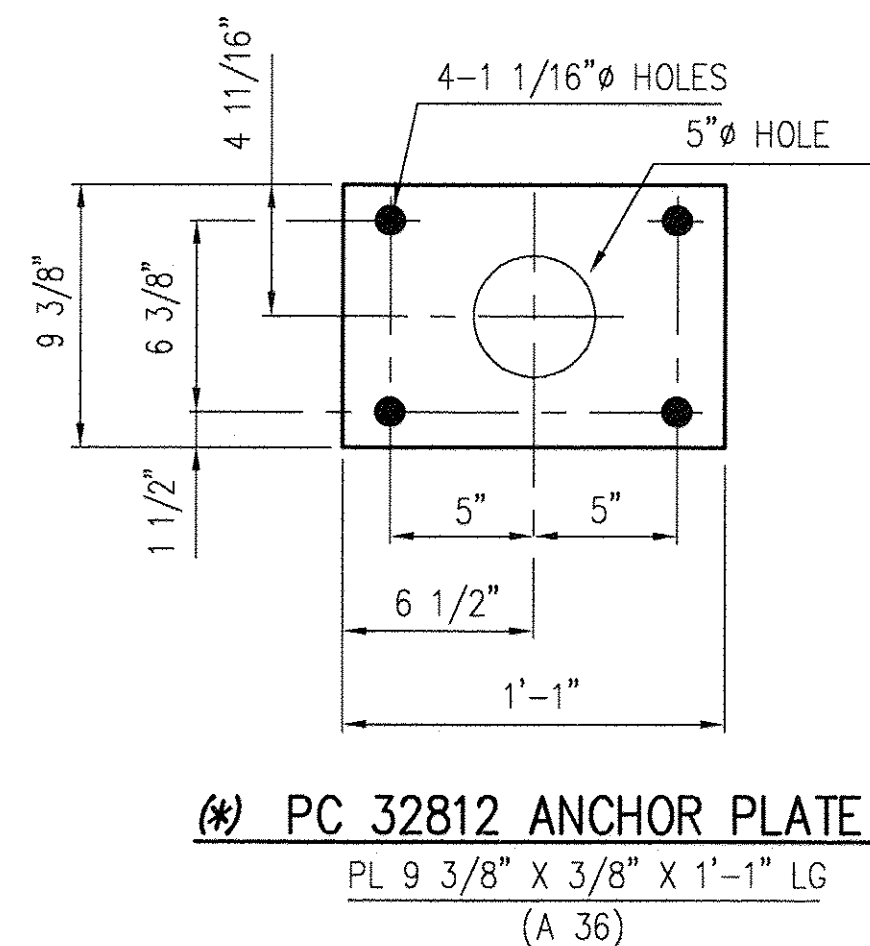
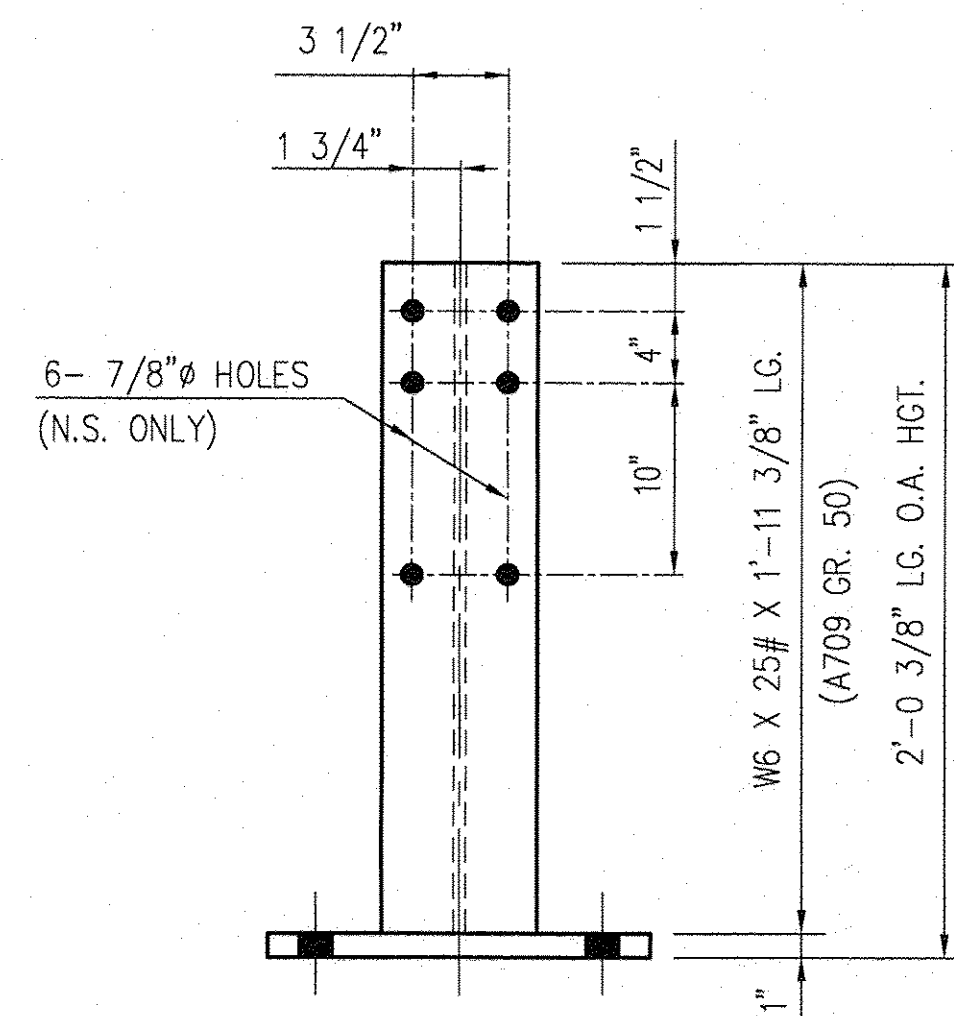
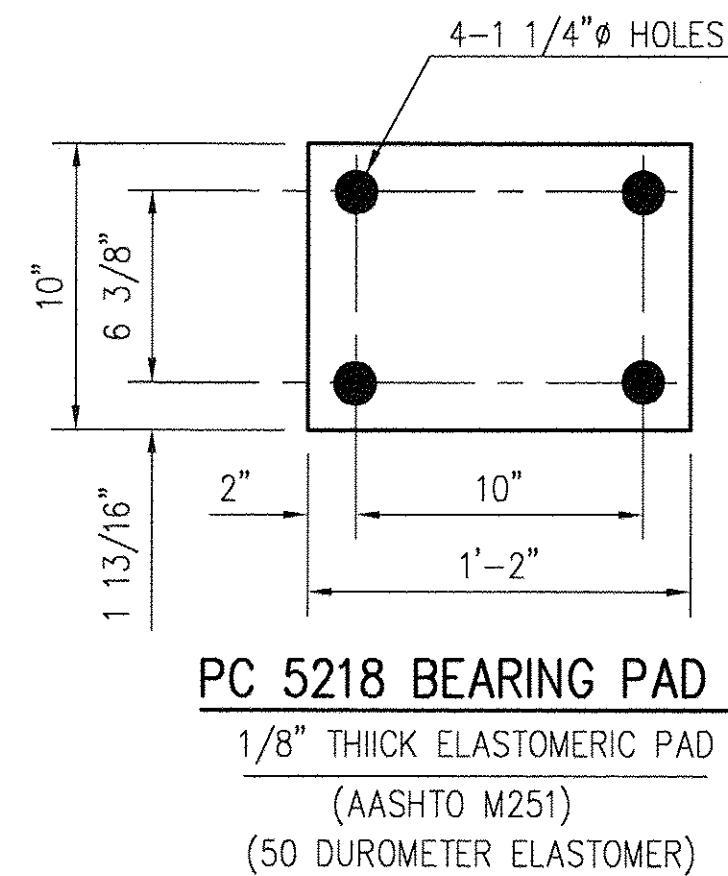
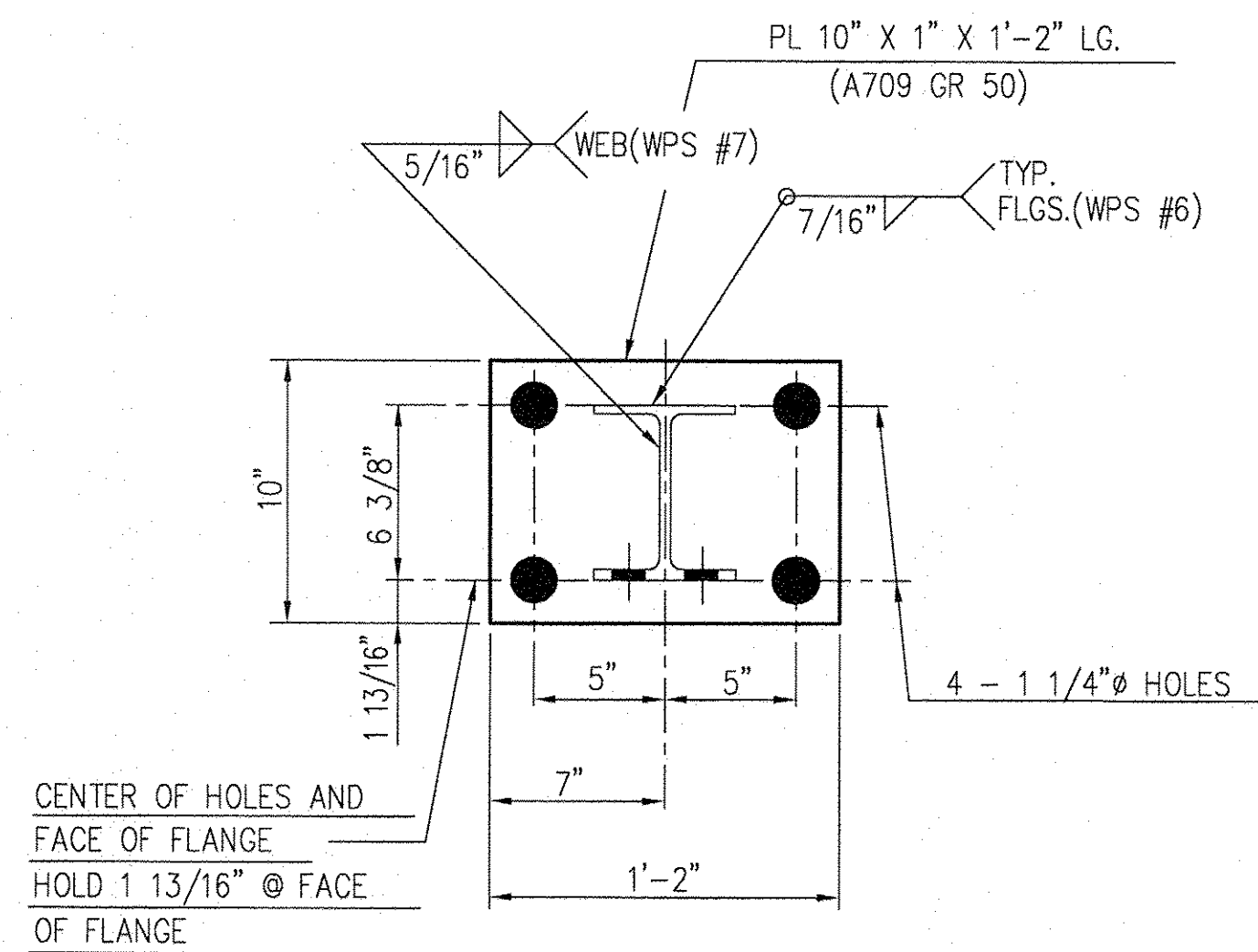
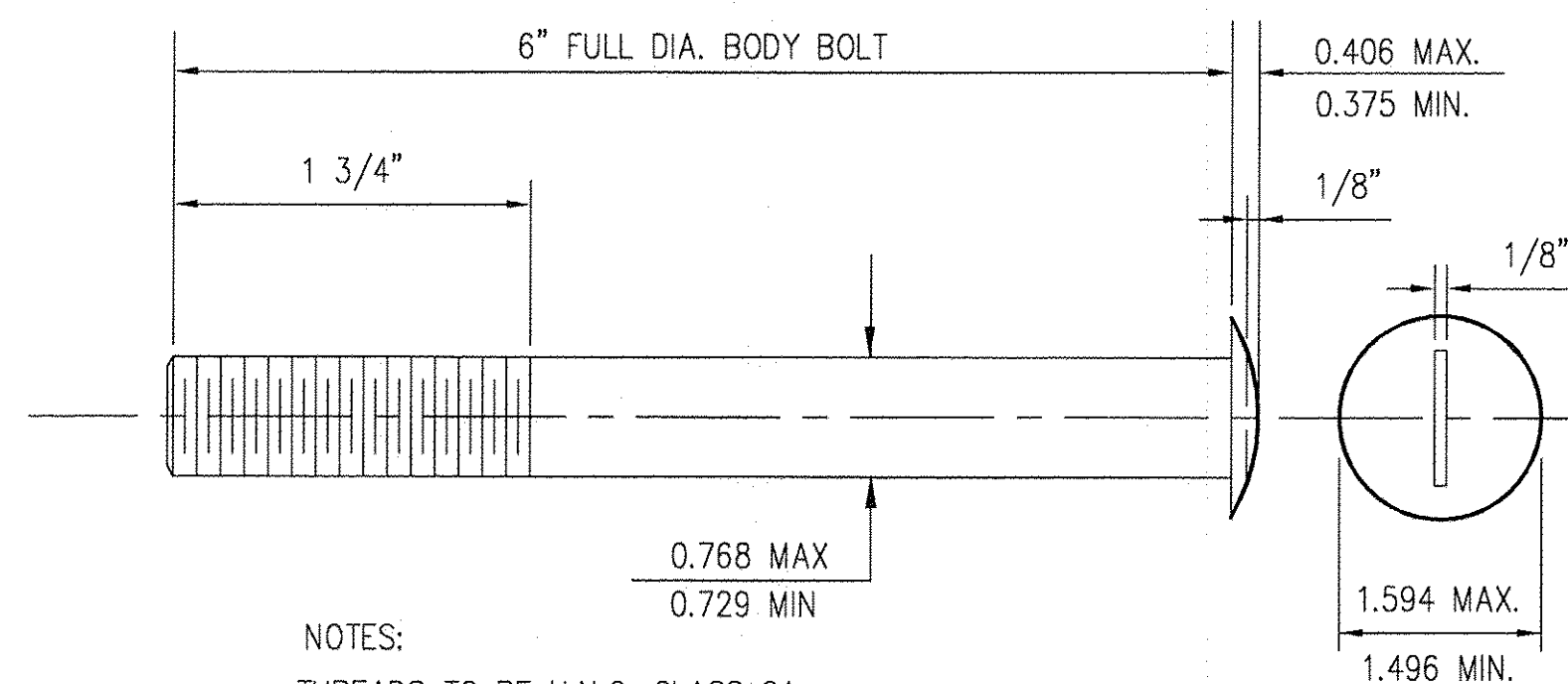


F:\R\Share\Engineering\WIP\VT1006227\22-1006227-D1.dwg 1/14/03 16:39:14



PC 35107 SPLICE TS 7" X 3" X 3/8" LG. (A500 GR B)

PC 35103 SPLICE TS 3" X 3" X 5/16" LG. (A500 GR B)



NOTES:
THREADS TO BE U.N.C. CLASS 2A
State Standard Drawing No. BR1-97 & BR2-97
* AASHTO M164 TYPE-1
ASTM A-325M TYPE-1

PC 6984 SLOTTED RD. HD. BOLT ⚠

BILL OF MATERIAL										
PRODUCT CODE	BRIDGE 25	BRIDGE 25A	BRIDGE 25B	TOTAL QTY.	DESCRIPTION	WT. EA.	REMARKS			
⚠	32878A	75	80	90	245	POST	98 #			
*	32812G	75	80	90	245	ANCHOR PLATE	10 #			
⚠	5218B	75	80	90	245	BEARING PAD	1 #	NOT GALVANIZED		
⚠	35107A	15	15	18	48	SPLICE (TS 7" x 3" x 3/8" x 1'-8")	39 #			
⚠	35103A	15	15	18	48	SPLICE (TS 3" x 3" x 5/16" x 1'-8")	19 #			
FIELD HARDWARE										
	35209G	64	76	88	228	3/4" Ø SCH. 40 PIPE x 1/2" LG.	0.1 #	A53 NOT DETAILED	A123	
⚠	3390H	120	120	144	384	5/8" Ø x 1 3/4 LG. HEX HD. BOLT		A307 GR A	A153	
⚠	3300H	120	120	144	384	5/8" WASHER, 1 3/4" O.D.		F844	A153	
⚠	6984H	300	320	360	980	3/4" Ø x 6" LG. SLOTTED RD. HD. BOLT		A325	A153	
⚠	3702H	300	320	360	980	3/4" WASHER, 2" O.D. (HARDENED)	TYPE A	F436	A153	
⚠	3704H	300	320	360	980	3/4" HEX NUT		A563 DH	A153	
ANCHORAGE HARDWARE										
⚠	4914H	300	320	360	980	1" Ø x 1'-0" LG. ANCHOR STUD	FULLY THRD.	A449	A153	
*	3908H	300	320	360	980	1" HEX NUT		A563 DH	A153	
*	3910H	600	640	720	1960	1" HEX NUT		A563	A153	
*	4902H	300	320	360	980	1" PLAIN WASHER		F436	A153	
PAY QUANTITY										
					⚠ 1855-3 15/16" LIN. FT.	ITEM NO. 525.33 ~ BR. RAIL 2 BAR NETC				

(*) ANCHORAGE TO BE SHIPPED PRIOR TO REMAINDER OF MATERIAL.

GERARD ENGINEERING DEPT.
ISSUED
JAN 15 2003
TRINITY INDUSTRIES, INC.
1170 N. STATE STREET
GERARD, OHIO 44420

NOTES:

- TUBING AND POSTS SHALL MEET THE REQUIREMENTS OF SECTION 732 - RAILING MATERIALS OF THE STANDARD SPECIFICATIONS FOR CONSTRUCTION, EXCEPT THE DROP WEIGHT TEAR TEST IN SECTION 732 SHALL NOT APPLY TO THE STRUCTURAL TUBING IN THIS STANDARD.
- ALL EXPOSED CUT OR SHEARED EDGES SHALL BE ROUNDED TO A 1/16" RADIUS AND BE FREE OF BURRS.
- GALVANIZED SURFACES SHALL HAVE A UNIFORM APPEARANCE AND GALVANIZED MATERIAL SHALL BE PROPERLY STORED WITH WOOD BLOCKING BETWEEN PIECES.
- RAIL POSTS.....ASTM A709, GRADE 50 SEE SECTION 732.03, SUBSECTION 2 BEARING PAD SHALL COMPLY WITH 731.01 OR 731.02.
- SHOP INSPECTION IS REQUIRED. CALL VERMONT AGENCY OF TRANSPORTATION TO SCHEDULE SHOP INSPECTION.
- RAIL POSTS & BASE PLATES SHALL BE TESTED FOR IMPACT PROPERTIES IN ACCORDANCE WITH ASTM A-370 CHARPY IMPACT TESTING USING TYPE A SPECIMEN.

CONTACT: *Jeff Clark*
CHRISTOPHER WILLIAMS
PHONE: (802) 828-2621
APPROVAL DRAWING

FOR RAILING LAYOUTS SEE SHEET E2 THRU. E4 (22) 1006227
FOR ERECTION DETAILS SEE SHEET E1 OF 4 (22) 1006227

REV.	CHK'D	BY	DATE	REMARKS
⚠		SAR	1/02/03	ADDED P.C. 6984 & ADJUSTED B.O.M.
PAY ITEM NUMBER 525.33 ~ BR RAIL 2 BAR NETC				
STATE OF VERMONT AGENCY OF TRANSPORTATION VT. ROUTE 9 - TOWNS OF SEARSBURGH & WILMINGTON COUNTIES OF BENNINGTON & WINDHAM STATE PROJECT NO. NHF 010-1(18) VARIOUS BRIDGES				DRAWN SAR CHECKED S.H. SCALE: N.T.S. DATE 7/11/02
CUSTOMER NORTHLAND SPECIALITIES		P.O. No. VERBAL		
TRINITY INDUSTRIES, INC. HIGHWAY SAFETY PRODUCTS 2525 STEMMONS FREEWAY, DALLAS, TX 75207				ENG. FILE # 22-1006227-D1 SHT.No. D1 OF 4 TRINITY SALES ORDER NO. (22) 1006227

VAOT RECEIVED
OK'D BY *RKL*
JAN 29 2003
RESUBMIT APPROVED *As Noted*
BY *RRW* DATE 1-30-03

This drawing and the information shown thereon is the sole property of TRINITY INDUSTRIES, INC. Neither the drawing nor such information is to be used for any purpose other than that for which it was specifically furnished by TRINITY INDUSTRIES, INC., nor is any reproduction authorized without written permission.