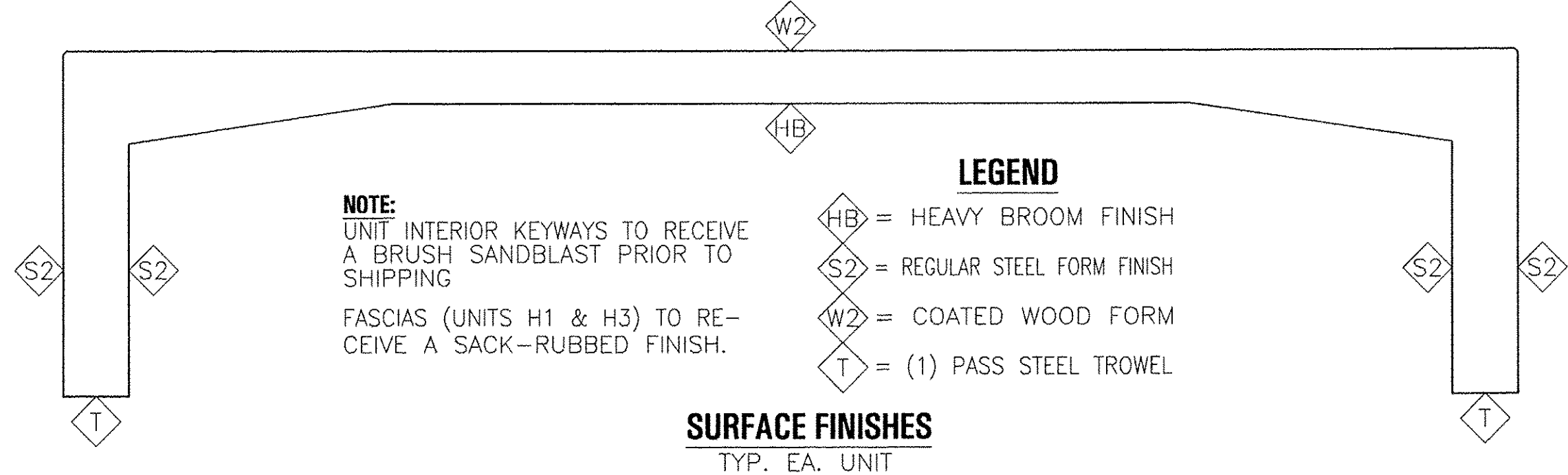


NOTE:
RUBATEX FOR INTERIOR JOINTS SHALL BE LOCATED ON THE EAST FACE OF ALL UNITS WITH NONE REQ'D ON UNIT H1.
ALL INTERIOR KEYWAYS TO RECEIVE A BRUSH SANDBLAST PRIOR TO SHIPMENT.

INTERIOR SHEAR KEY ELEVATION
FOR RUBATEX LOCATION (INTERIOR JOINTS) ONLY VERTICAL EDGES DESCRIBING AN ACUTE ANGLE IN PLAN TO RECEIVE A 1" CHAMFER.



NOTE:
UNIT INTERIOR KEYWAYS TO RECEIVE A BRUSH SANDBLAST PRIOR TO SHIPPING
FASCIAS (UNITS H1 & H3) TO RECEIVE A SACK-RUBBED FINISH.

LEGEND
HE = HEAVY BROOM FINISH
S2 = REGULAR STEEL FORM FINISH
W2 = COATED WOOD FORM
T = (1) PASS STEEL TROWEL

NOTE TO CONTRACTOR:
THIS SHOP DRAWING REPRESENTS OUR INTERPRETATION OF THE PLANS AND SPECIFICATIONS, AND OUR CONTRACT REQUIREMENTS FOR THIS PROJECT. PRIOR TO THE MANUFACTURE OF ANY ITEM FOR THIS PROJECT, ALL DIMENSIONS, METHODS OF CONSTRUCTION AND EXISTING CONDITIONS MUST BE CHECKED, CORRECTED AND/OR APPROVED BY OUR CUSTOMER. NO ITEM WILL BE SCHEDULED FOR PRODUCTION UNTIL WE HAVE BEEN NOTIFIED IN WRITING THAT OUR DRAWINGS HAVE BEEN APPROVED FOR FABRICATION. APPROVAL DELAYS WILL RESULT IN FABRICATION DELAYS. ANY ITEM THAT IS FABRICATED IN ACCORDANCE WITH APPROVED SHOP DRAWINGS THAT DOES NOT FIT THE CUSTOMER'S REQUIREMENTS WILL BE REMADE AND SHIPPED TO THE PROJECT ONLY AT THE CUSTOMER'S EXPENSE. WE ASSUME NO RESPONSIBILITY FOR THE ALTERING OF OUR PRODUCTS TO ACCOMMODATE OTHER TRADES UNLESS REQUIRED INFORMATION IS FURNISHED AND SHOWN ON OUR SHOP DRAWINGS AT THE TIME THEY ARE APPROVED FOR FABRICATION BY OUR CUSTOMER.

NO.	DATE	BY	REVISIONS
THE FORT MILLER Co., Inc. P.O. BOX 98 SCHUYLERVILLE, NY 12871 (518) 695-5000 (518) 695-4970 FAX			F.M. JOB NO. 734 SHEET NO. 3 DATE: 6-1.02
PROJECT: VT RTE 9 OVER BOND BROOK T/O SEARSBURG, VT			DRN. BY: M.WERN CHK. BY: S. HARRIGAN
SUBJECT: UNIT DETAILS			SCALE: NONE
CONTRACTOR: BECK & BELLUCCI, INC.			DWG. NO.
ENGINEER/ARCHITECT: CLOUGH, HARBOUR & ASSOCIATES			B3

V.A.O.T. RECEIVED
 DV
 AUG 01 2002
 APPROVED As Noted
 BY RRW DATE 8/28/02