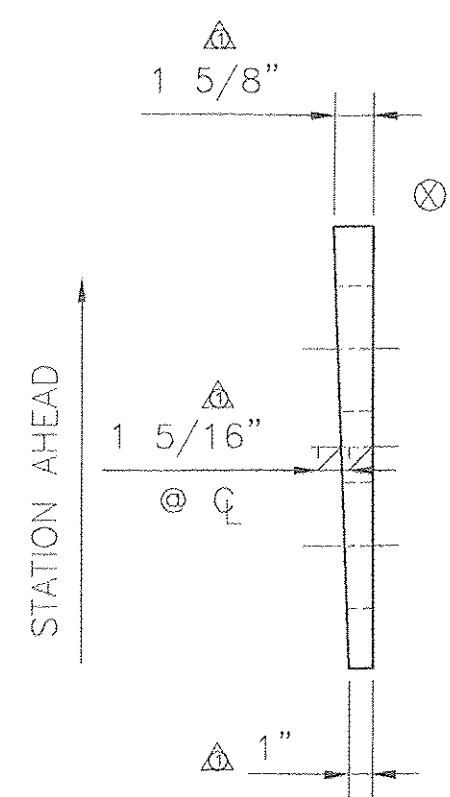
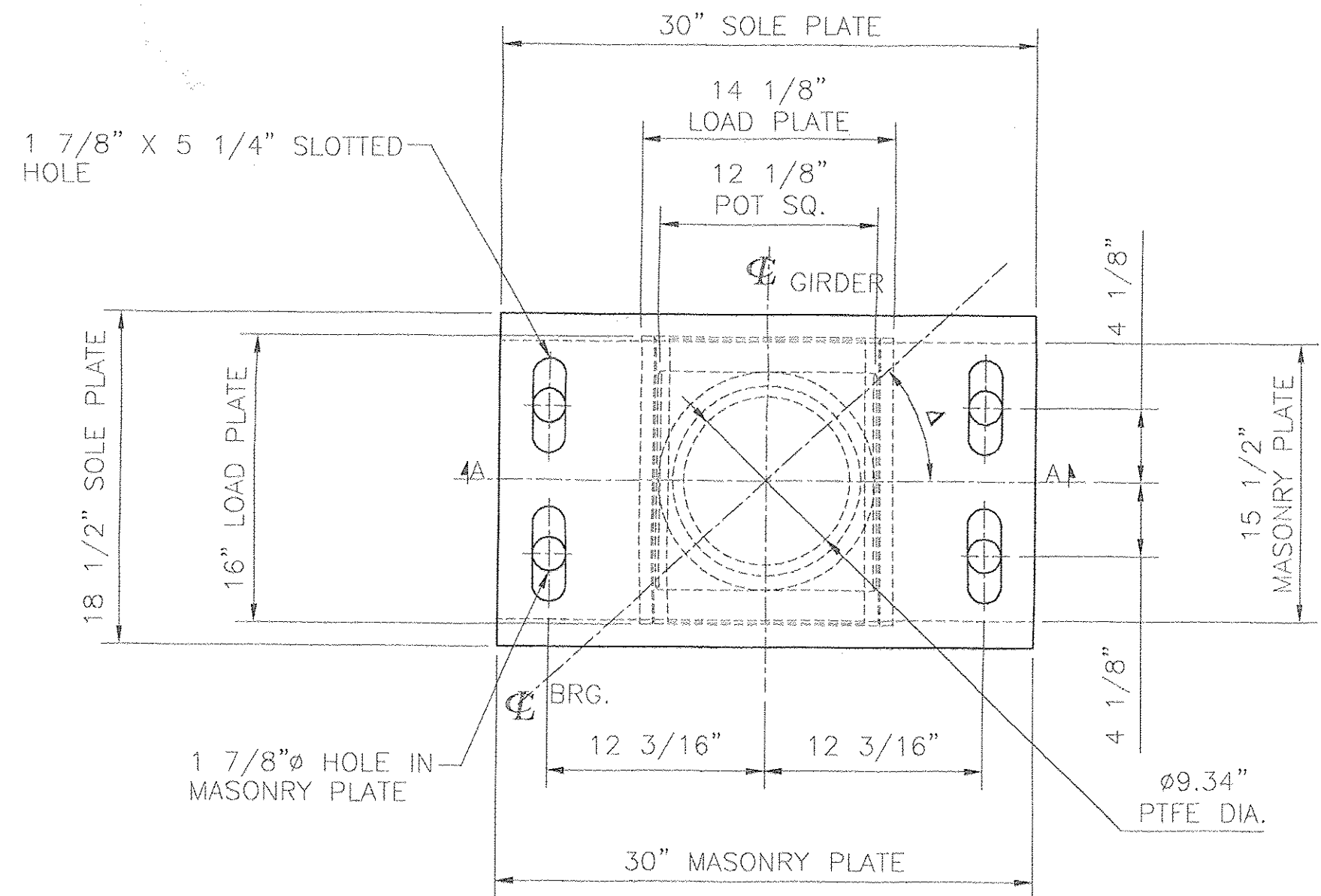
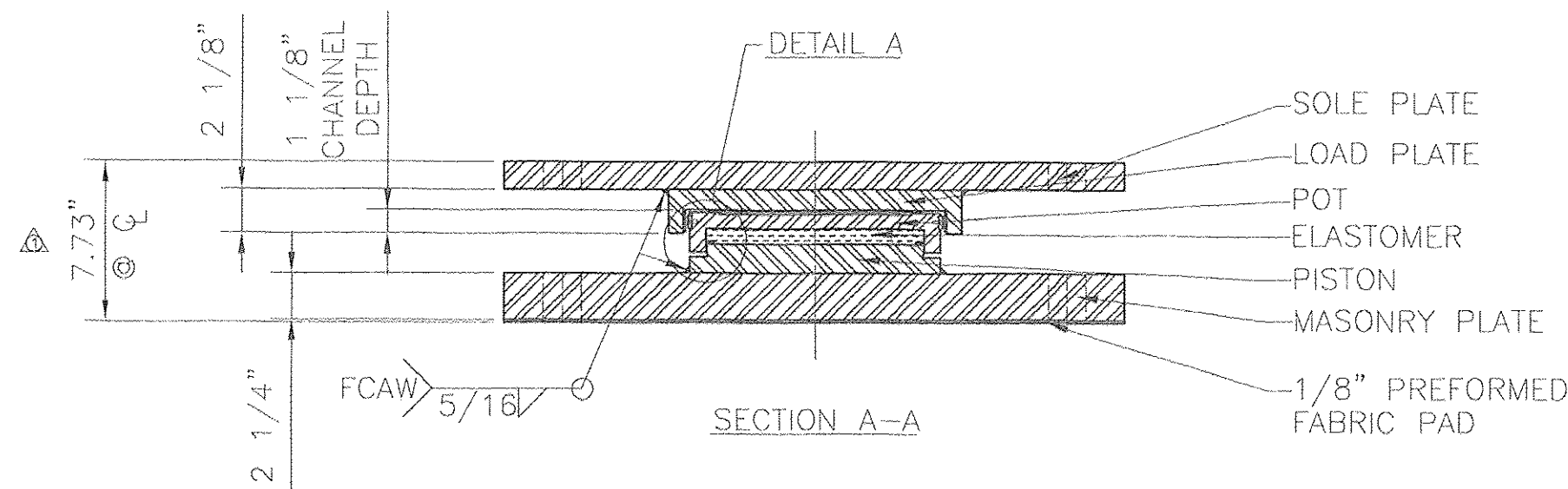


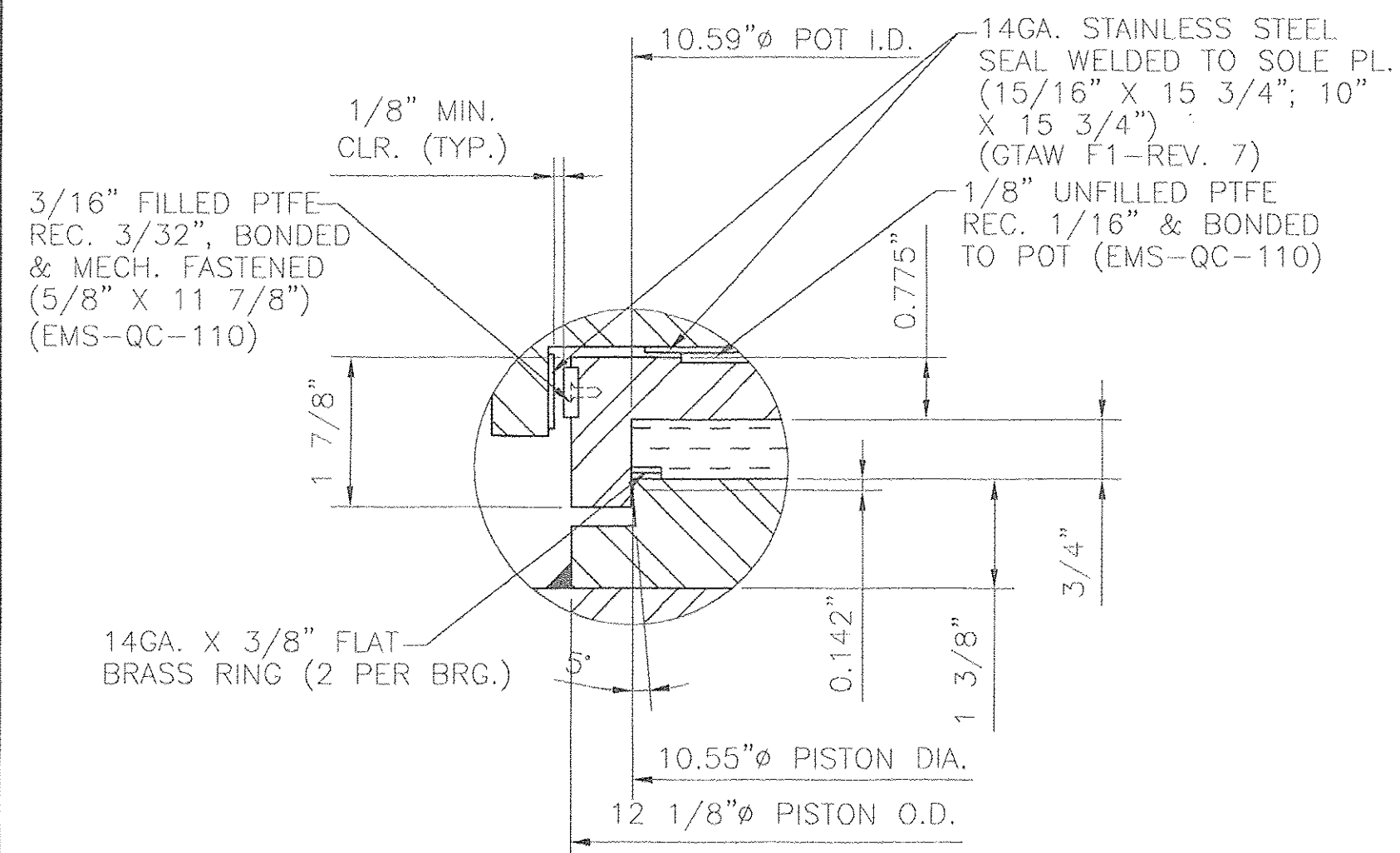
SKREW ANGLE Δ: 42°-13'-30"



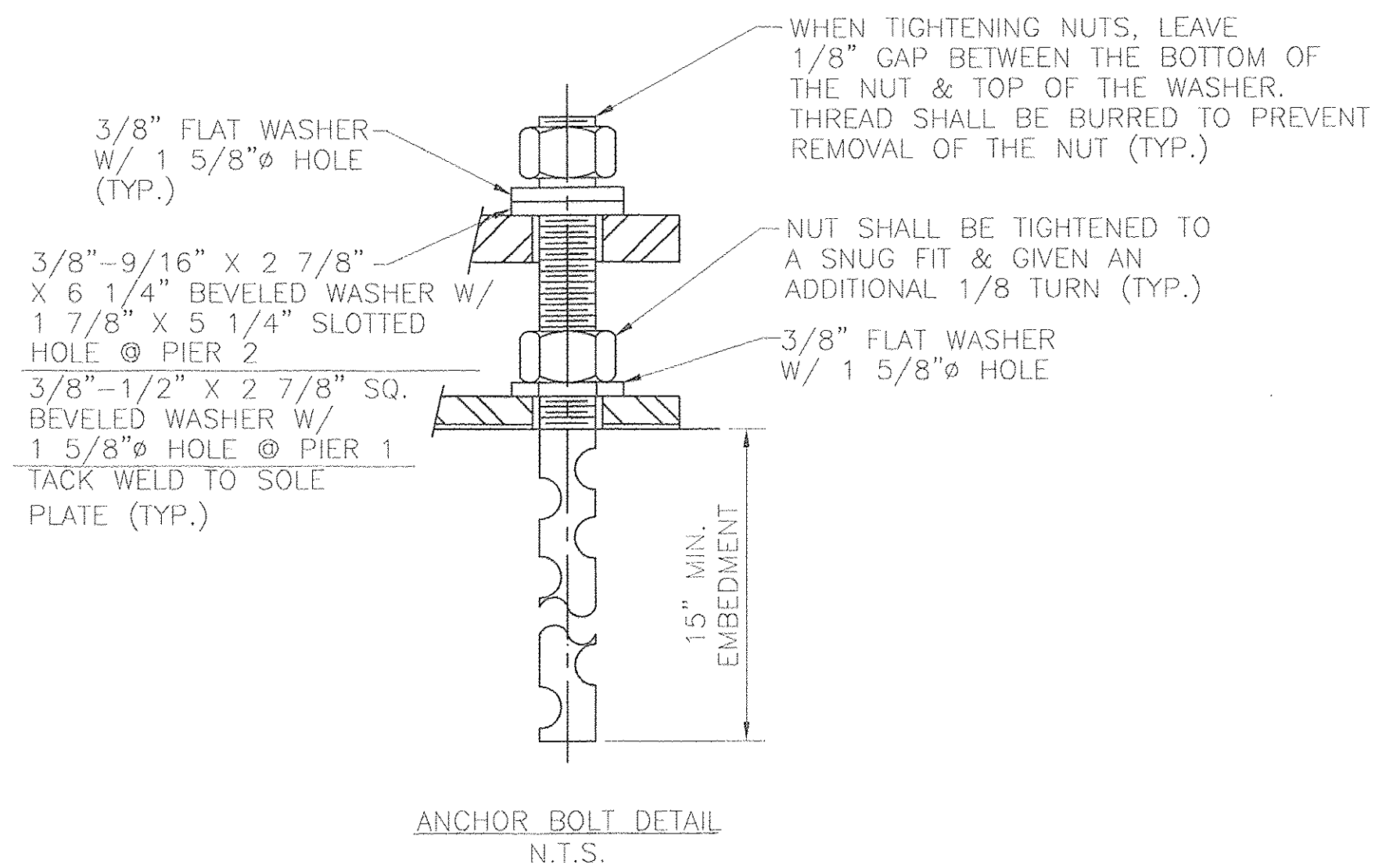
SIDE ELEVATION
BEVELED SOLE PLATE ONLY



GUIDED EXPANSION POT BEARING
LOCATION - BRIDGE 25B, PIER 2
QUANTITY - 6
VERTICAL LOAD - 308 KIPS
HORIZONTAL LOAD - 30 KIPS
TOTAL LONGITUDINAL MOVEMENT - 3 5/8"
TOTAL TRANSVERSE MOVEMENT - 1/4"



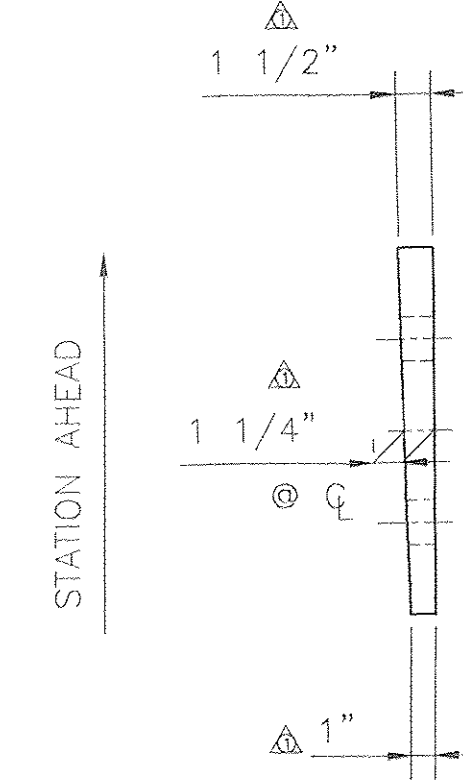
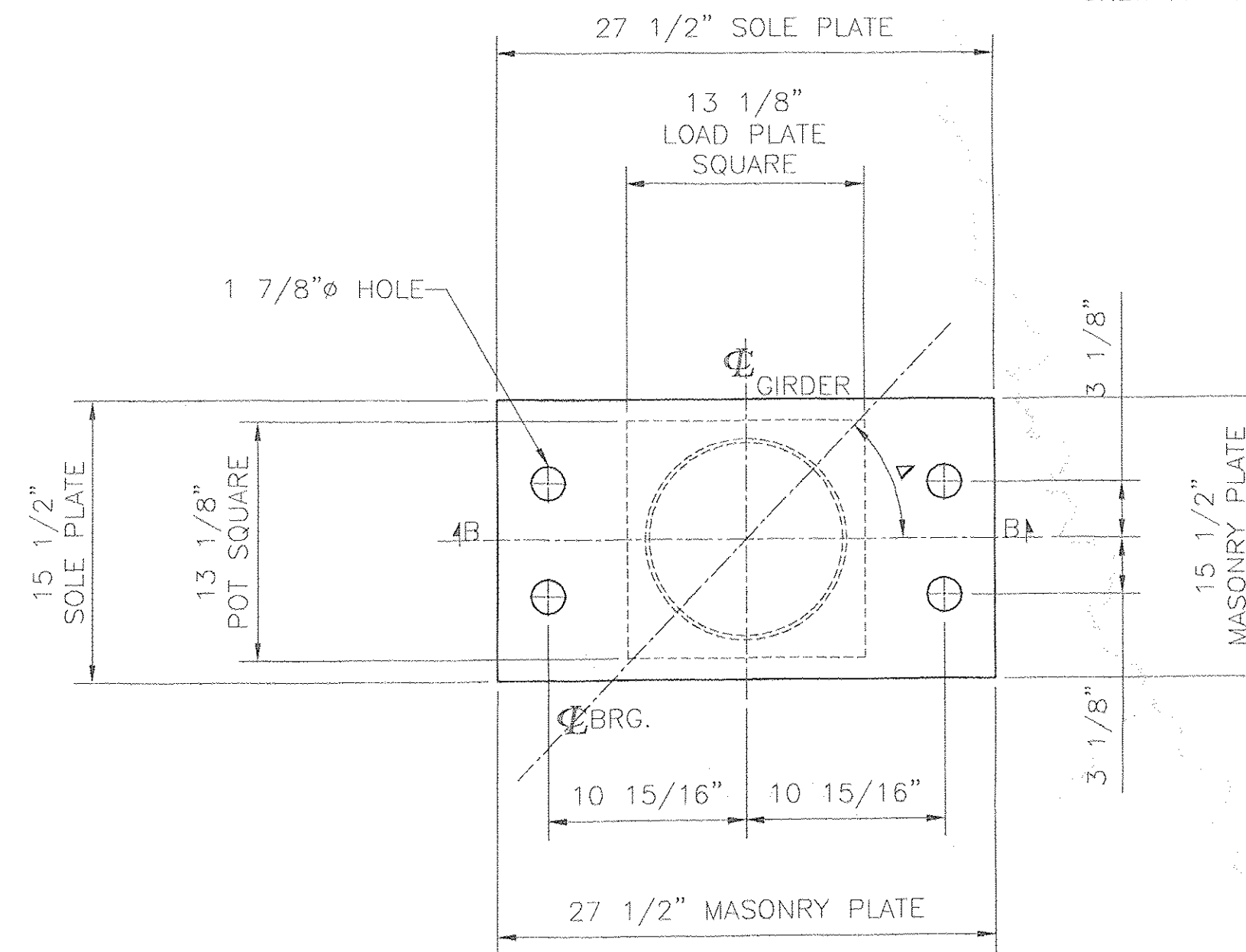
DETAIL A



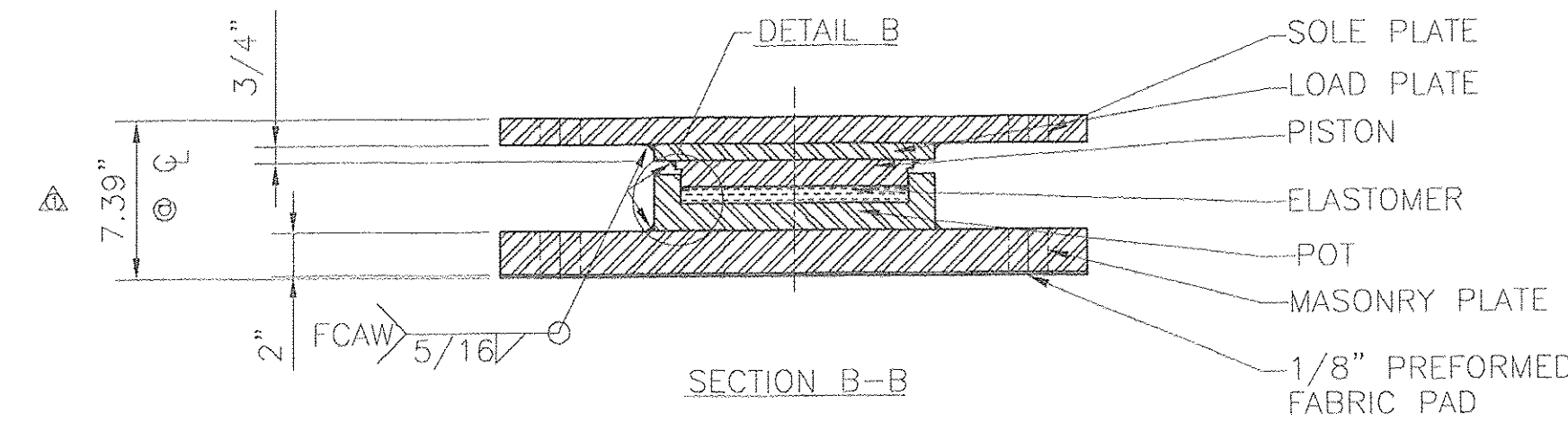
ANCHOR BOLT DETAIL
N.T.S.

1 1/2" x 25 1/2" LONG ASTM A307 SWAGED ANCHOR BOLT WITH 11" THREADS ONE END, TWO HEAVY HEX NUTS, TWO ASTM F844 FLAT WASHERS AND ONE ASTM F844 BEVELED WASHER. ALL GALVANIZED.

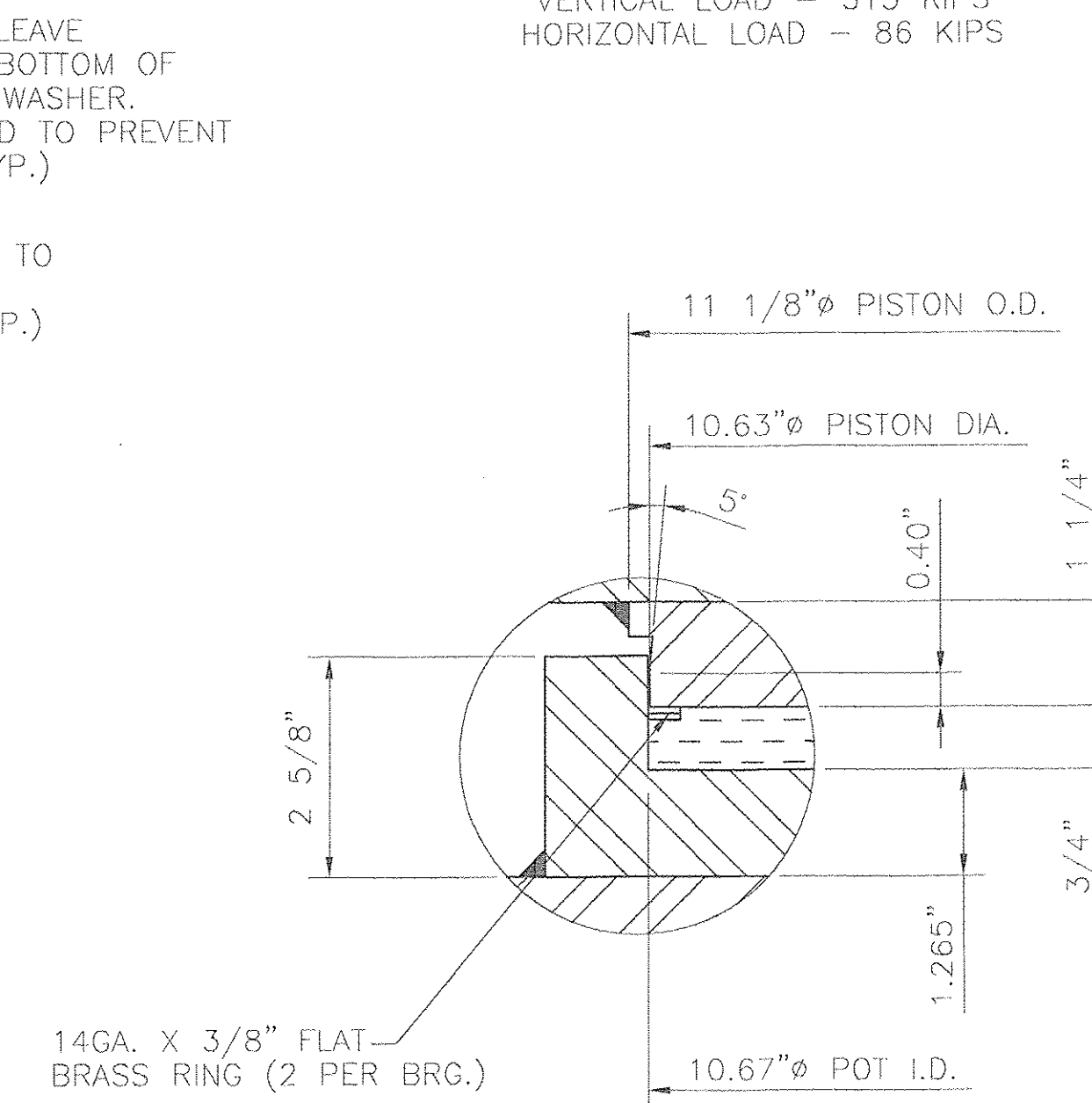
SKREW ANGLE Δ: 46°-16'-30"



SIDE ELEVATION
BEVELED SOLE PLATE ONLY



FIXED POT BEARING
LOCATION - BRIDGE 25B, PIER 1
QUANTITY - 6
VERTICAL LOAD - 313 KIPS
HORIZONTAL LOAD - 86 KIPS



DETAIL A

MATERIAL:
STEEL - ASTM A709 GR 50 ZINC METALIZED. MASONRY PLATE TO BE CVN.
ELASTOMER - AASHTO 50 DUROMETER NEOPRENE PER VT AOT SECTION 731.03. (LUBRICATED USING DOW CORNING COMPOUND NO. 4 SILICONE GREASE)
BRASS RINGS - ASTM B36 HALF HARD
PREFORMED FABRIC PAD - AASHTO 18.4.10.1 DIV. II
STAINLESS STEEL - ASTM A240 TYPE 304, 10 RMS FINISH OR LESS
PTFE - ASTM D1457 VIRGIN UNFILLED & FILLED

- NOTES:
- DESIGN ROTATION: 0.02 RADS.
 - BEARINGS MUST NOT BE DISASSEMBLED.
 - BEARINGS SHALL BE SHIPPED IN DUST & MOISTURE PROOF COVERS FOR PROTECTION DURING TRANSIT & STORAGE.
 - LOCATION OF FABRICATION PLANT - 70 SOUTH ST. WALPOLE, MA 02081
 - COSMEC INC. REPRESENTATIVE - MR. MATT McANDREWS (508-668-6600)
 - ALL STEEL COMPONENTS SHALL BE METALIZED AS PER SECTION 531.04(b) AND 506.15. AFTER THE BEARINGS ARE METALIZED, THEY SHALL BE SEALED WITH AN APPROVED PRIMER AS SPECIFIED IN SUBSECTION 506.15(c).
 - Ø MARK THICK END OF BEVEL
 - PRIOR TO METALIZING, ALL CORNERS & EDGES OF STEEL PLATES, SHAPES, ETC., SHALL BE GROUND TO A 1/16" RADIUS.

STATE OF VERMONT
AGENCY OF TRANSPORTATION
BRIDGE NO. 25B
PROJECT: SEARSBURG - WILMINGTON
PROJECT NO. NHF 010-K(18)
VT. RTE. 9 OVER DEERFIELD RIVER

RECEIVED
OCT 16 2002
DATE 10-17-02

COSMEC, INC.		70 SOUTH STREET WALPOLE, MA. 02081	
SCALE: 1/8"=1"	DRAWN BY: NH	CHECKED BY: MCM	
SHEET 4 OF 4	DATE: 8.7.02	DATE: 8.22.02	
COSMEC POT BEARINGS			
CUSTOMER BECK & BELLUCCI, INC.	S.O. NUMBER 59599	DRAWING NUMBER 3704	REV. 1

REV	DATE	CK'D	DATE
Δ	10.2.02		