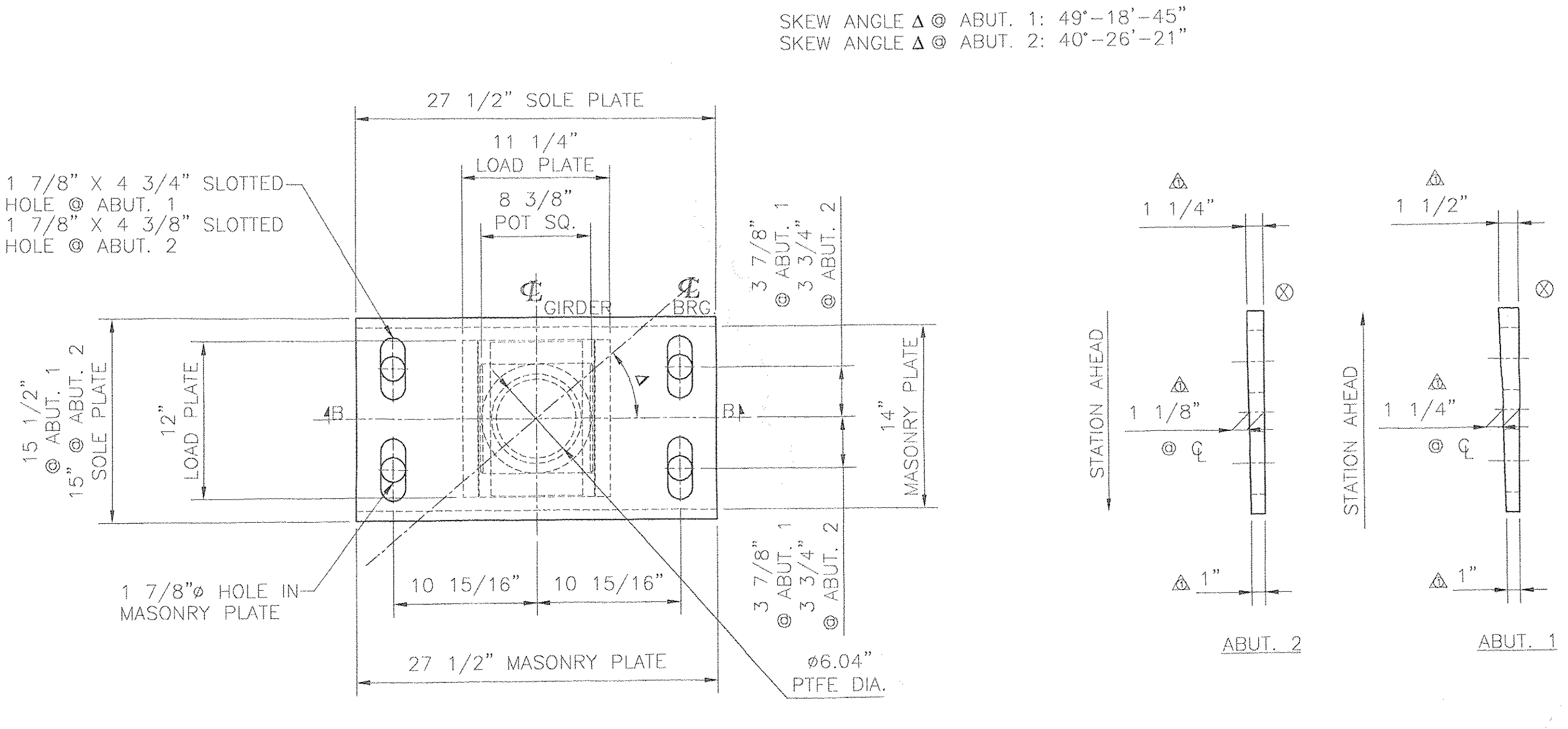
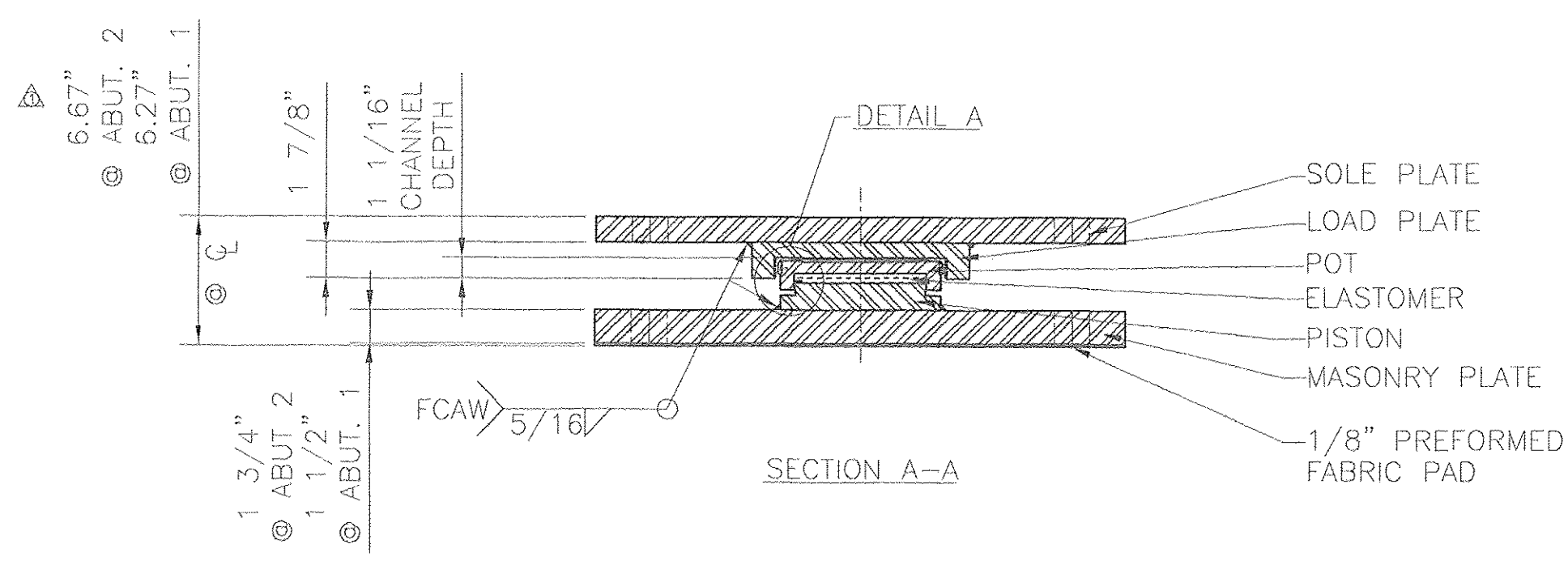


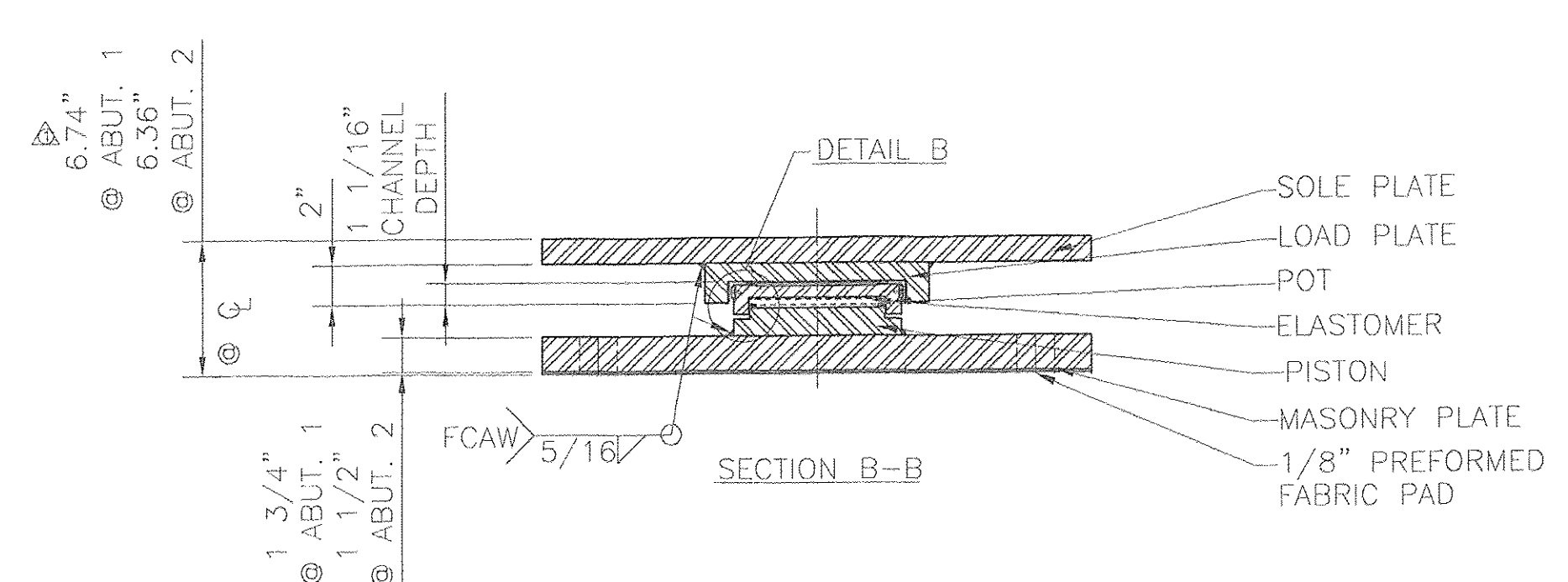
SKREW ANGLE Δ @ ABUT. 1: 45°-49°-20°
 SKREW ANGLE Δ @ ABUT. 2: 39°-11°-15°



SKREW ANGLE Δ @ ABUT. 1: 49°-18°-45°
 SKREW ANGLE Δ @ ABUT. 2: 40°-26°-21°



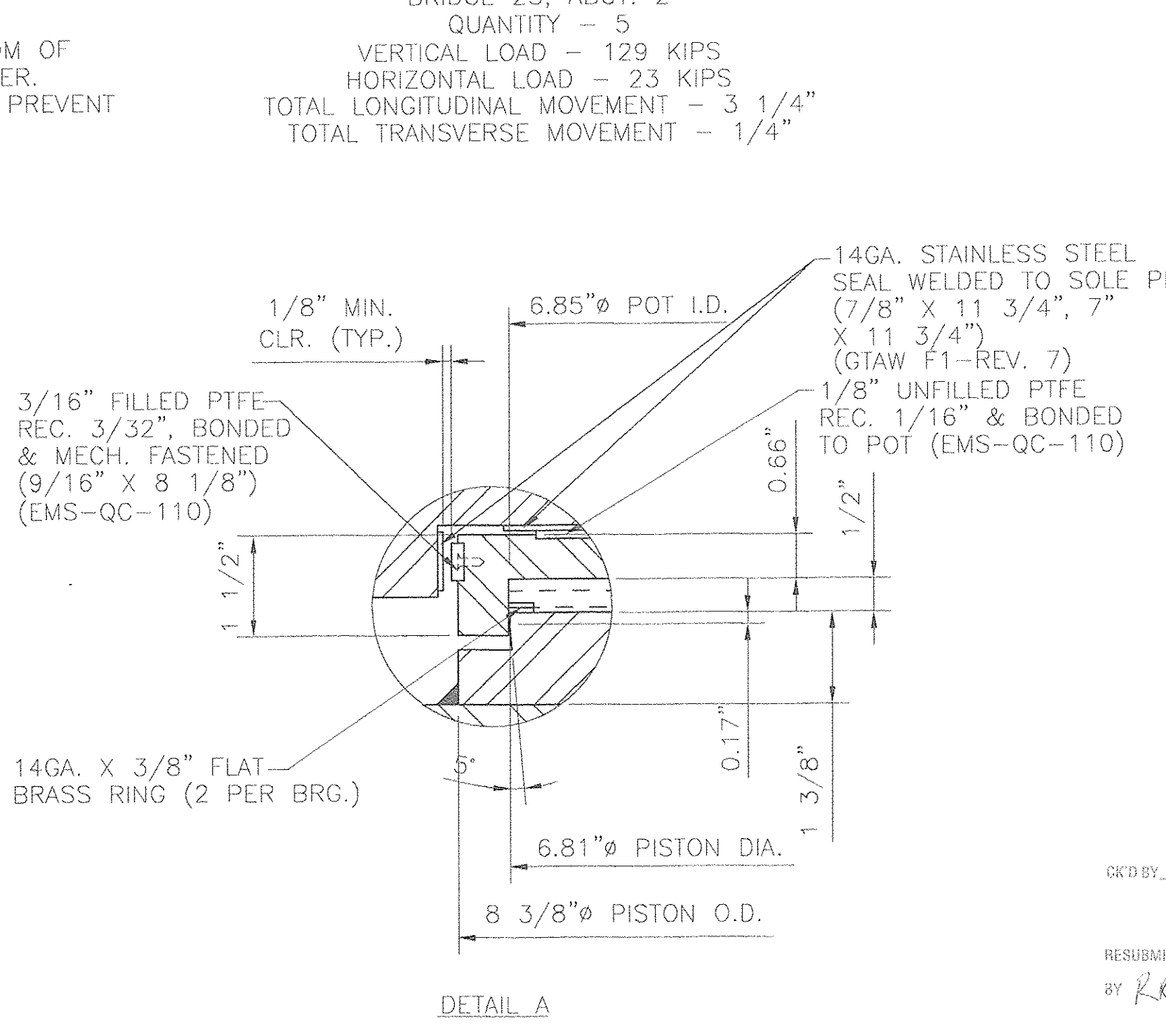
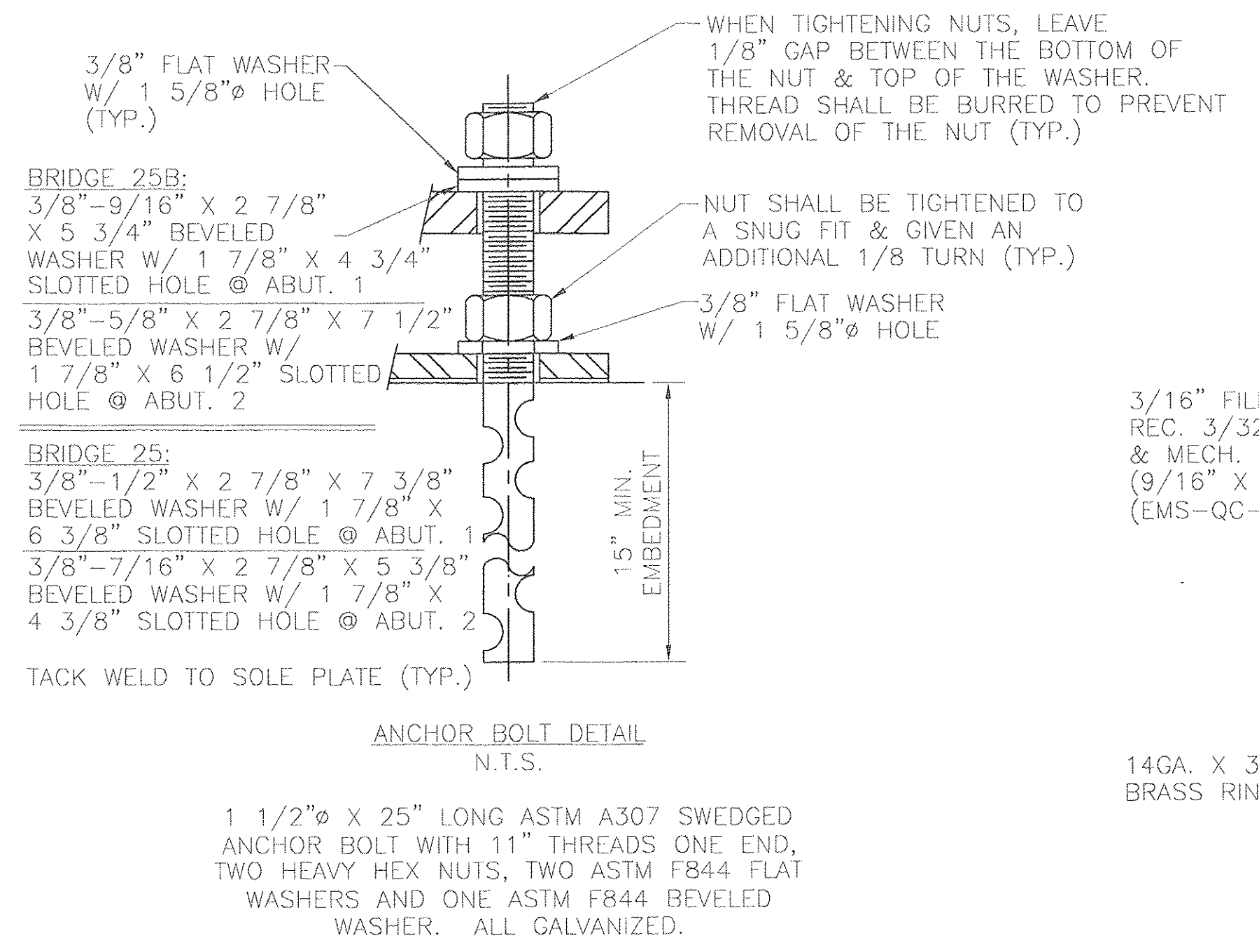
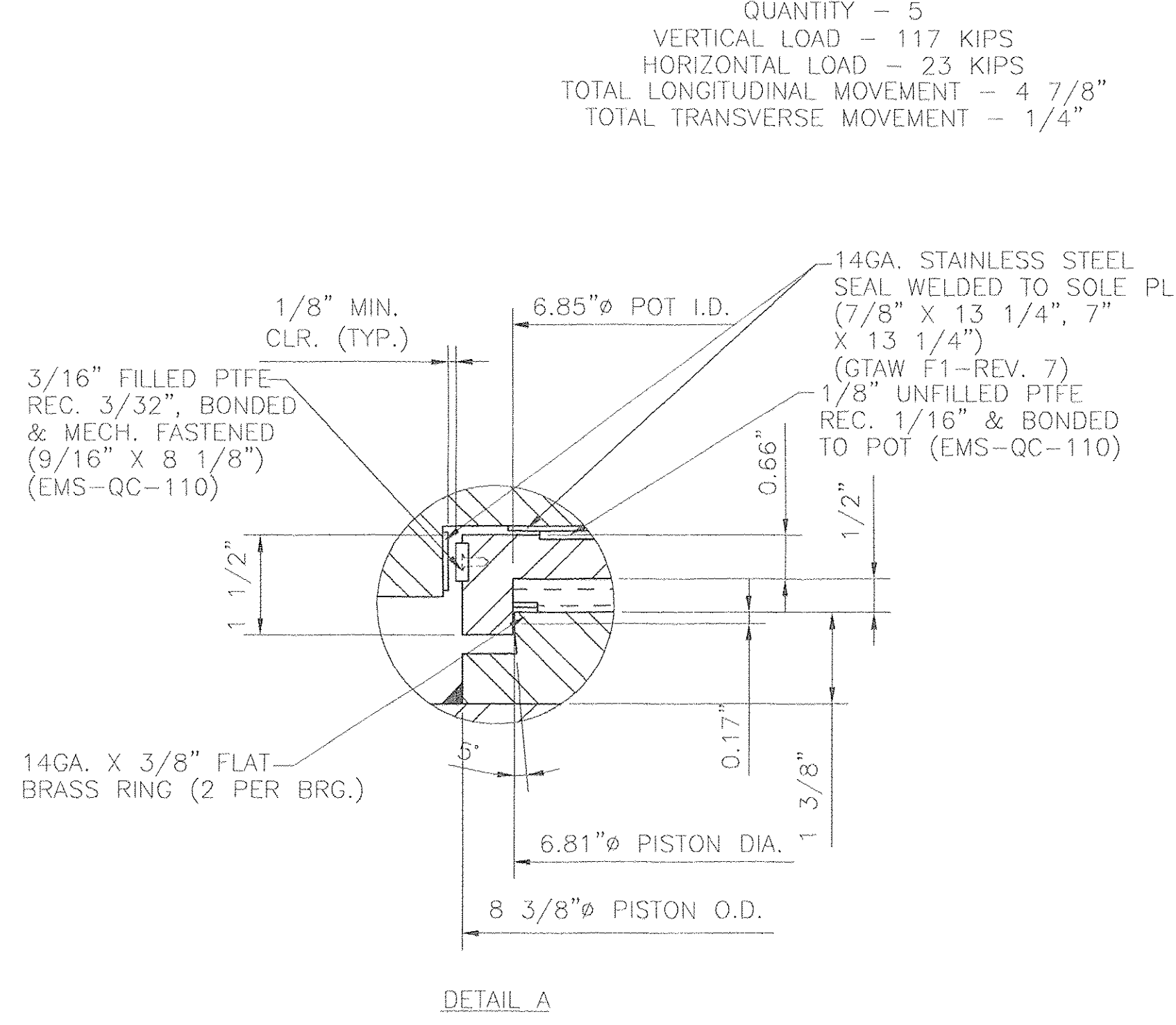
GUIDED EXPANSION POT BEARING
 LOCATION - BRIDGE 25B, ABUT. 2
 QUANTITY - 6
 BRIDGE 25, ABUT. 1
 QUANTITY - 5
 VERTICAL LOAD - 117 KIPS
 HORIZONTAL LOAD - 23 KIPS
 TOTAL LONGITUDINAL MOVEMENT - 4 7/8"
 TOTAL TRANSVERSE MOVEMENT - 1/4"



GUIDED EXPANSION POT BEARING
 LOCATION - BRIDGE 25B, ABUT. 1
 QUANTITY - 6
 BRIDGE 25, ABUT. 2
 QUANTITY - 5
 VERTICAL LOAD - 129 KIPS
 HORIZONTAL LOAD - 23 KIPS
 TOTAL LONGITUDINAL MOVEMENT - 3 1/4"
 TOTAL TRANSVERSE MOVEMENT - 1/4"

MATERIAL:
 STEEL - ASTM A709 GR 50 ZINC METALIZED. MASONRY PLATE TO BE CVN.
 ELASTOMER - AASHTO 50 DUROMETER NEOPRENE PER VT AOT SECTION 731.03. (LUBRICATED USING DOW CORNING COMPOUND NO. 4 SILICONE GREASE)
 BRASS RINGS - ASTM B36 HALF HARD
 PREFORMED FABRIC PAD - AASHTO 18.4.10.1 DIV. II
 STAINLESS STEEL - ASTM A240 TYPE 304, 10 RMS FINISH OR LESS
 PTFE - ASTM D1457 VIRGIN UNFILLED & FILLED

- NOTES:**
- DESIGN ROTATION: 0.02 RADS.
 - BEARINGS MUST NOT BE DISASSEMBLED.
 - BEARINGS SHALL BE SHIPPED IN DUST & MOISTURE PROOF COVERS FOR PROTECTION DURING TRANSIT & STORAGE.
 - LOCATION OF FABRICATION PLANT - 70 SOUTH ST. WALPOLE, MA 02081
 - COSMEC INC. REPRESENTATIVE - MR. MATT McANDREWS (508-668-6600)
 - ALL STEEL COMPONENTS SHALL BE METALIZED AS PER SECTION 531.04(b) AND 506.15. AFTER THE BEARINGS ARE METALIZED, THEY SHALL BE SEALED WITH AN APPROVED PRIMER AS SPECIFIED IN SUBSECTION 506.15(c).
 - Ø MARK THICK END OF BEVEL
 - PRIOR TO METALIZING, ALL CORNERS & EDGES OF STEEL PLATES, SHAPES, ETC., SHALL BE GROUND TO A 1/16" RADIUS.



STATE OF VERMONT
 AGENCY OF TRANSPORTATION
 BRIDGE NO. 25 & 25B
 PROJECT: SEARSBURG - WILMINGTON
 PROJECT NO. NHF 010-K(18)
 VT. RTE. 9 OVER DEERFIELD RIVER

COSMEC, INC. 70 SOUTH STREET WALPOLE, MA. 02081
 SCALE: 1/8"=1" DRAWN BY: NH CHECKED BY: MCM
 SHEET 3 OF 4 DATE: 8.6.02 DATE: 8.22.02
COSMEC POT BEARINGS

REV. Δ	ADDED NOTE 8, REVISED SOLE PLATE THICKNESS & BEARING HEIGHTS	BY NH	DATE 10.2.02	CHKD	DATE
RECEIVED OCT 16 2002 SUBMITTED BY RLC DATE 10-17-02					
CUSTOMER	S.D. NUMBER	DRAWING NUMBER	REV.		
BECK & BELLUCCI, INC.	59599	3703	1		