

FINAL SURVEY NOTE BOOK NO. \_\_\_\_\_  
BY \_\_\_\_\_ DATE \_\_\_\_\_  
SURVEYED \_\_\_\_\_  
PLOTTED \_\_\_\_\_  
TEMPLATE \_\_\_\_\_  
AREAS CHECKED \_\_\_\_\_

ORIGINAL SURVEY NOTE BOOK NO. \_\_\_\_\_  
BY \_\_\_\_\_ DATE \_\_\_\_\_  
SURVEYED \_\_\_\_\_  
PLOTTED \_\_\_\_\_  
TEMPLATE \_\_\_\_\_  
AREAS CHECKED \_\_\_\_\_

GRANULAR ISOPROW:

STA	E. AREA	C.Y.
0+90	203	141
0+60	178	297
0+90	358	198
1+20	538	299
1+40	266	107
1+52	216	32
1+60	0	

$119 \times 1.15 = 1557 \text{ C.Y.}$   $2.98 \text{ } (84'') \times 152$

STRUCTURE EX.:

STA	E. AREA	C.Y.
(BUTT) 0+37	203	90
(BUTT) 0+49	203	
(BUTT) 0+49	98	40
0+60	98	143
0+90	160	119
1+20	55	28
1+40	20	9
1+52	20	
(BUTT) 1+52	216	64
1+60	216	32
(BUTT) 1+64	216	

$525 \text{ C.Y. } 2.98 \text{ } (84'')$

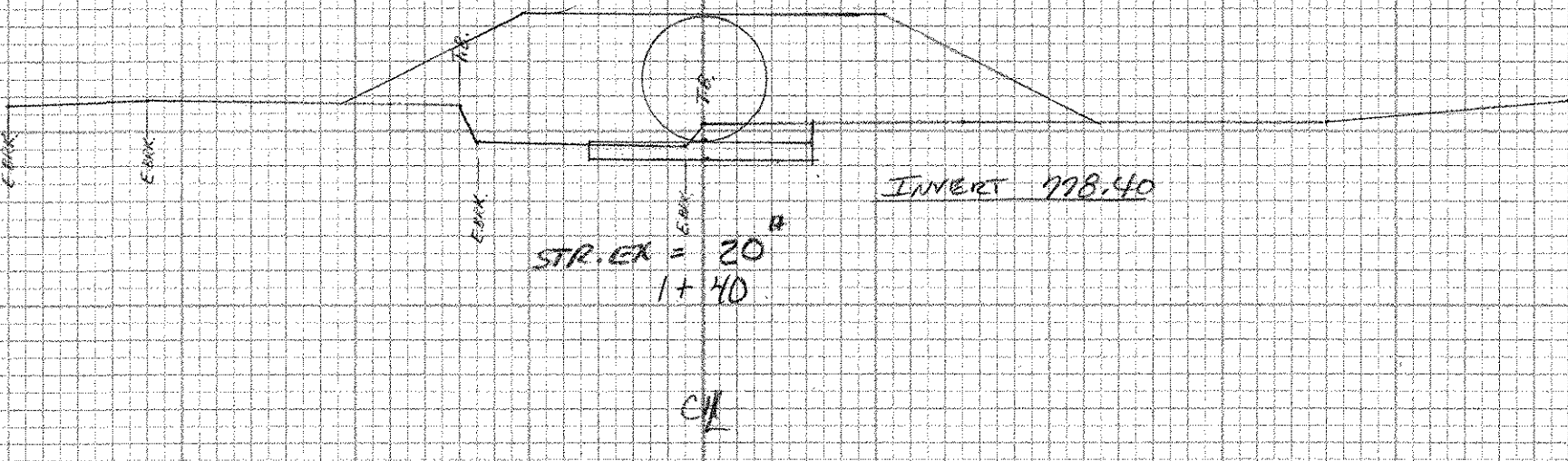
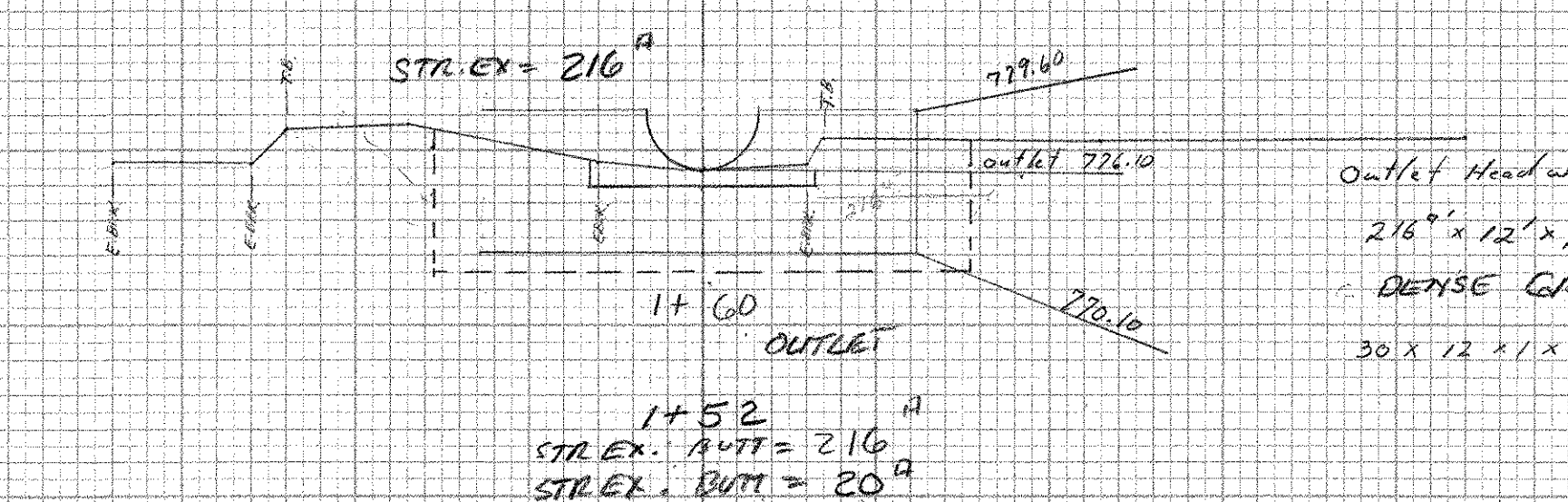
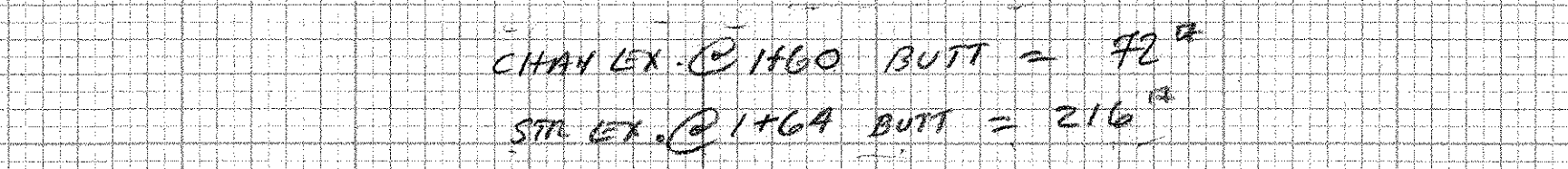
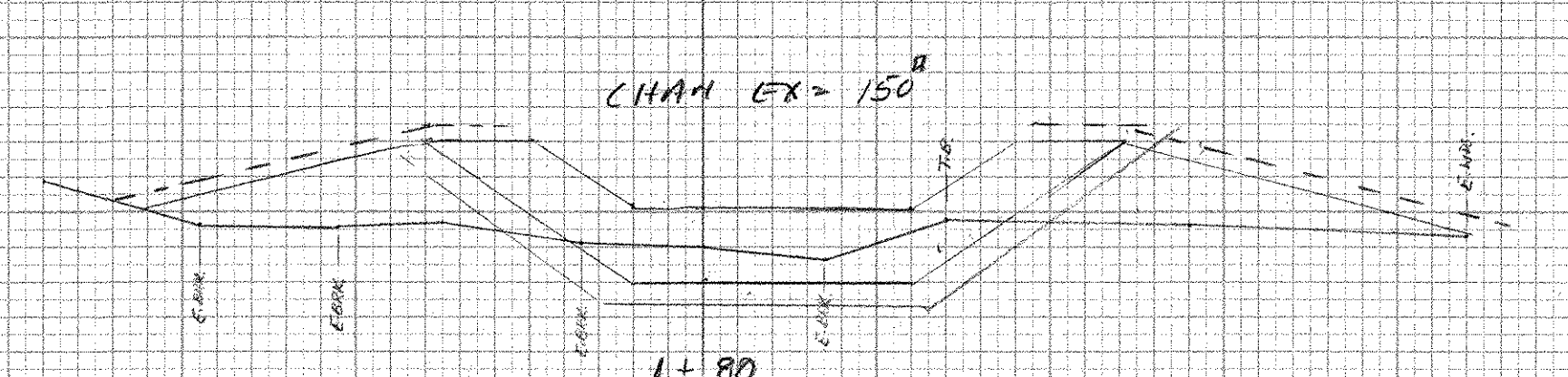
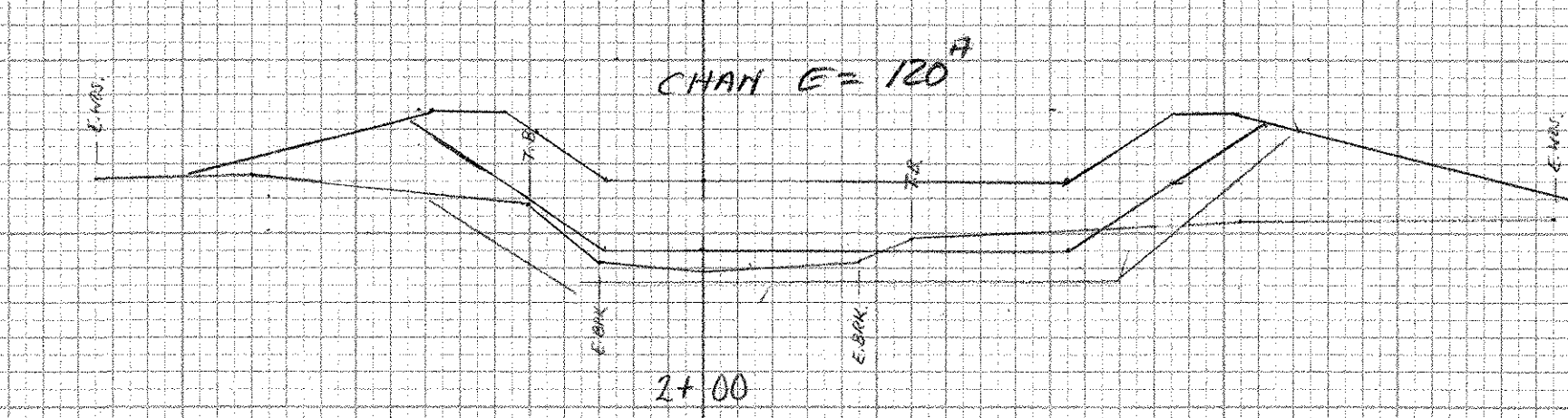
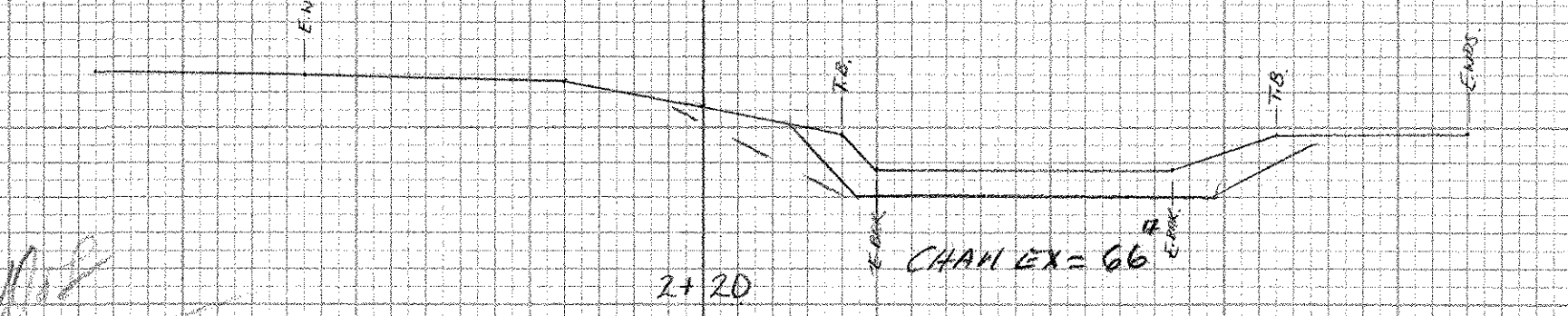
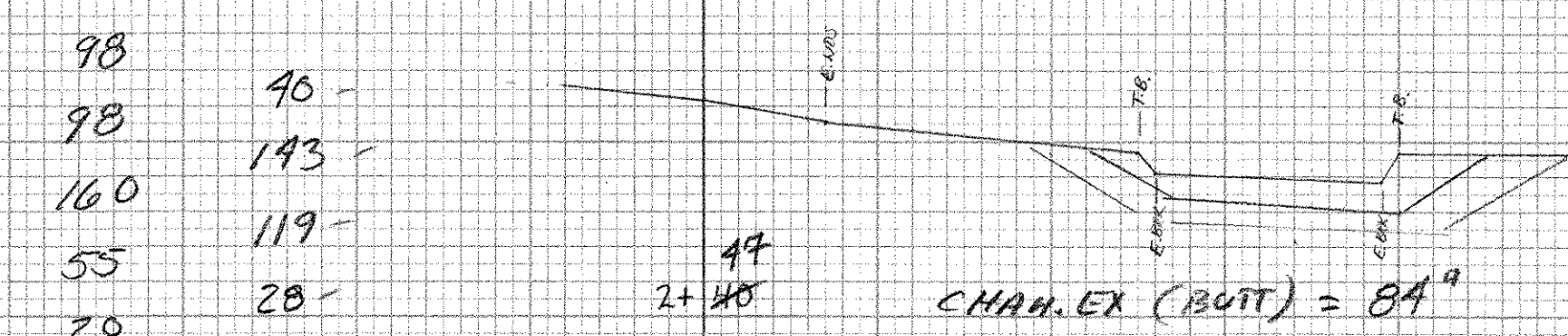
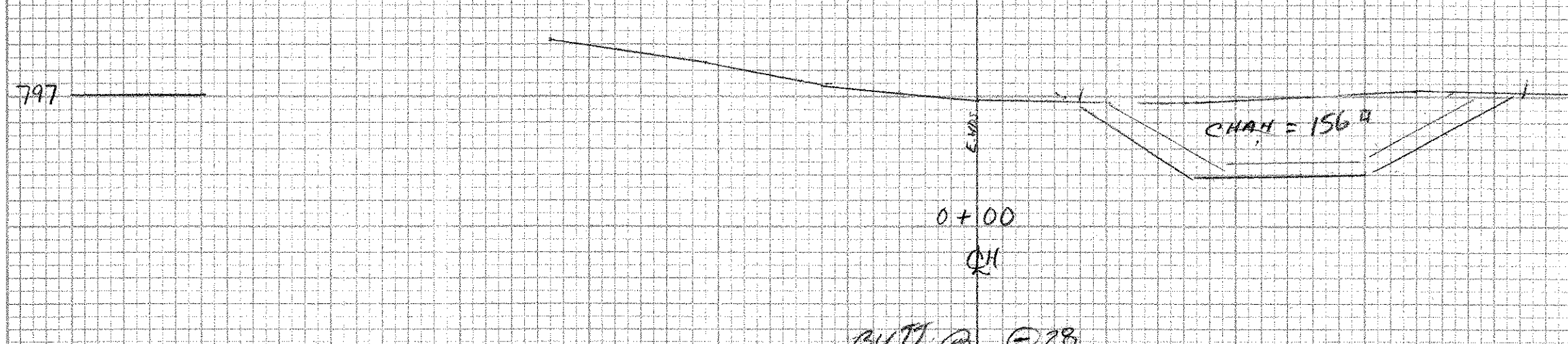
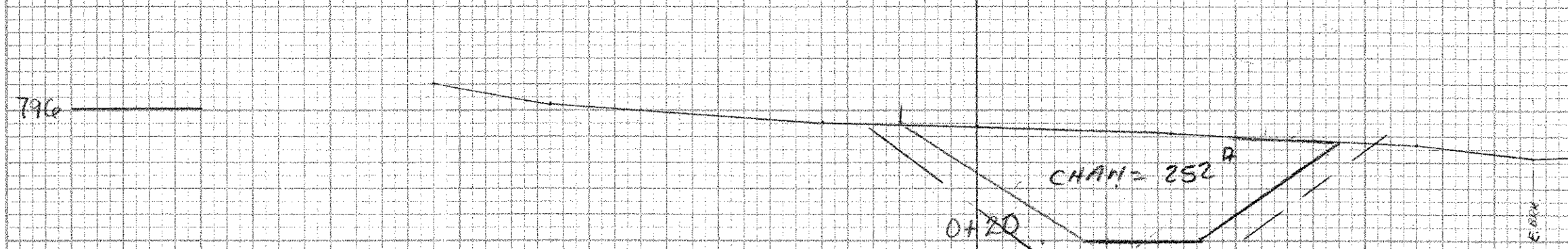
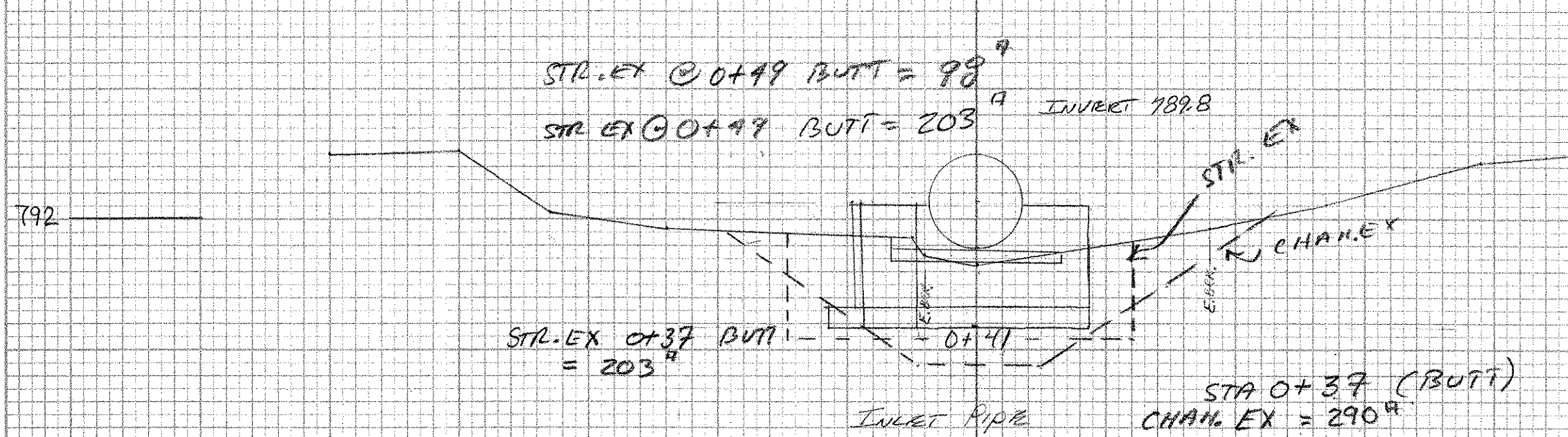
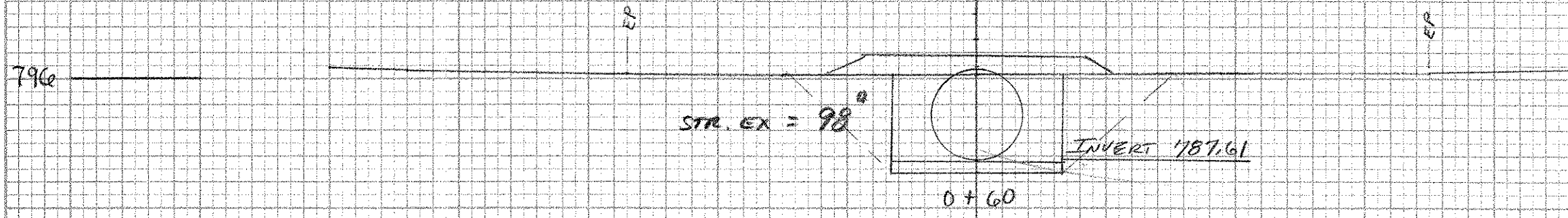
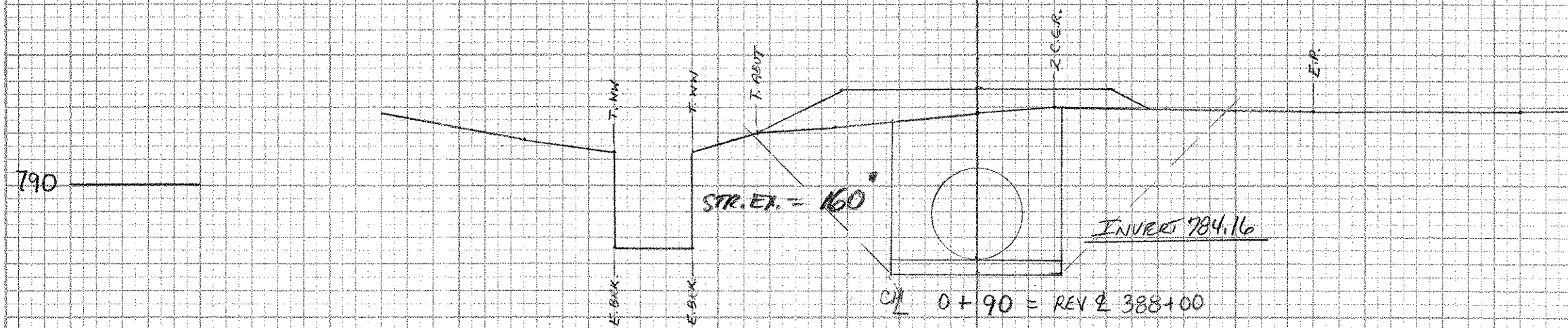
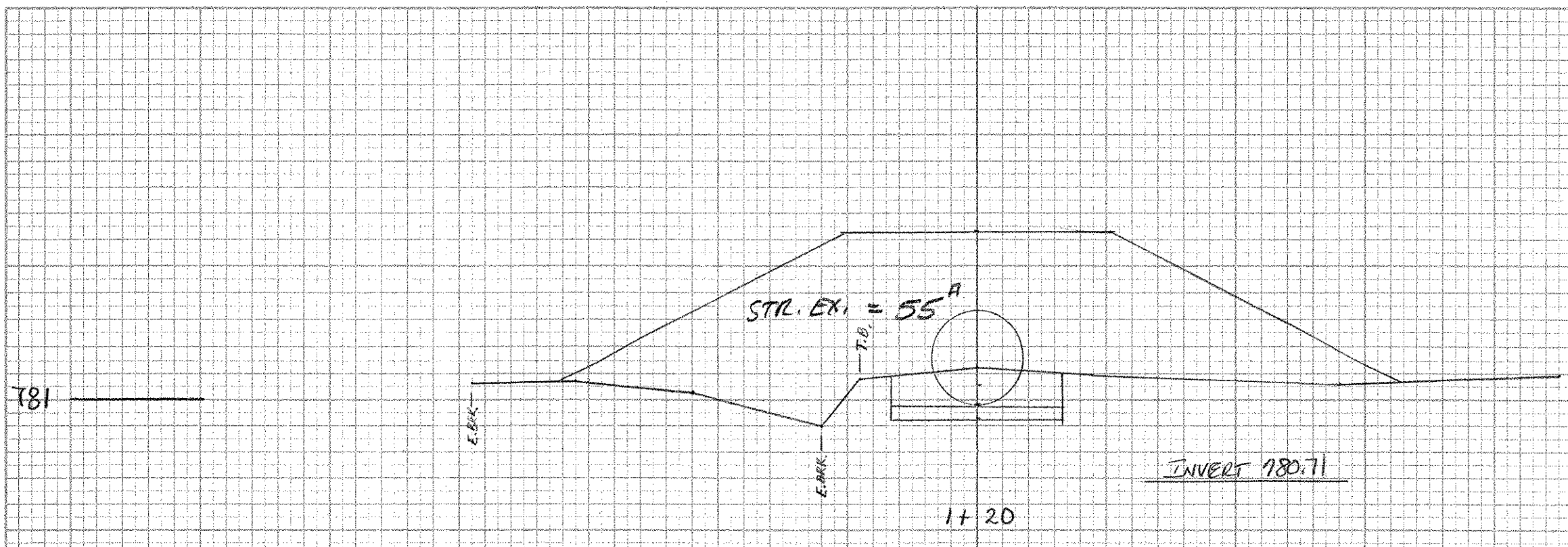
ITEM 801.35 DENSE GRADED CRUSHED STONE

1' USED UNDER PIPE  
 $70 \times 10 \times 119 \times 1.01 = 90.3 \text{ C.Y.}$   $2.98$

CHANNEL EX.

STA	E. AREA	C.Y.
0 (-) 28 (BUTT)	156	162
0+0	156	151
0+20	252	171
0+37 (BUTT)	290	
1+60 (BUTT)	72	
1+64		82
1+80	150	100
2+0	120	69
2+20	66	45
2+47 (BUTT)	84	

TOTAL = 810 C.Y.  $2.98$



Outlet Headwall Structure Excavation  
 $216'' \times 12'' \times 1/2''$  96cy  
DENSE GRADED CRUSHED STONE  
 $30 \times 12 \times 1 \times 1/2''$  13.3 cy

NOTE: STONE FILL WAS FIELD MEAS - P.M.C.