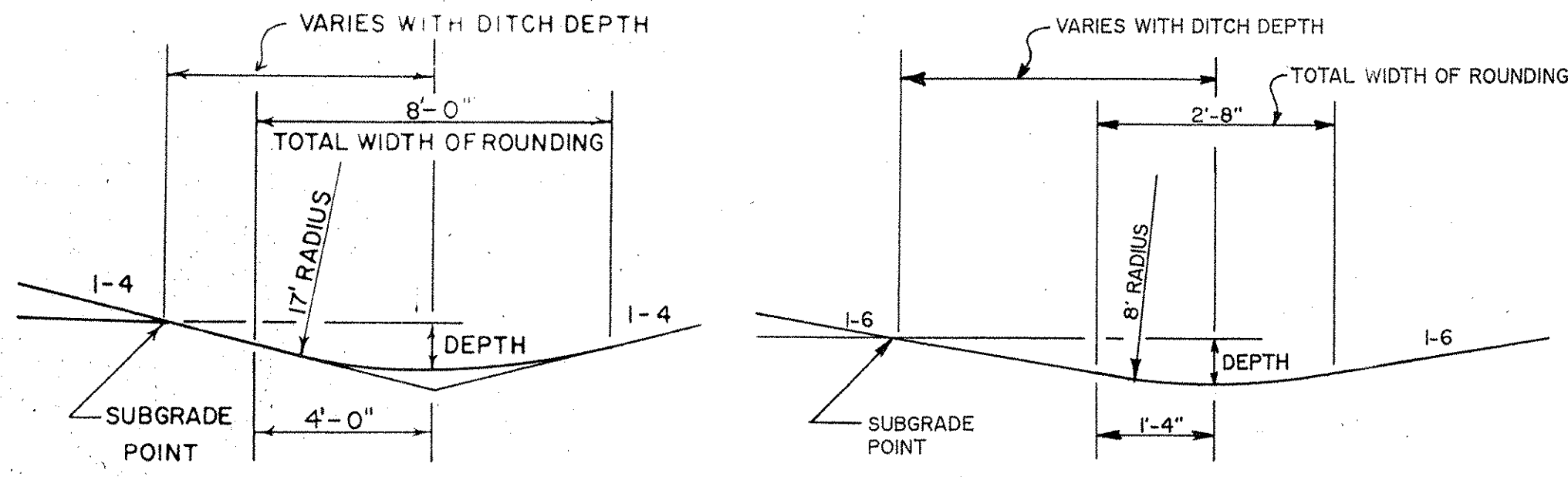


TYPICAL SECTIONS

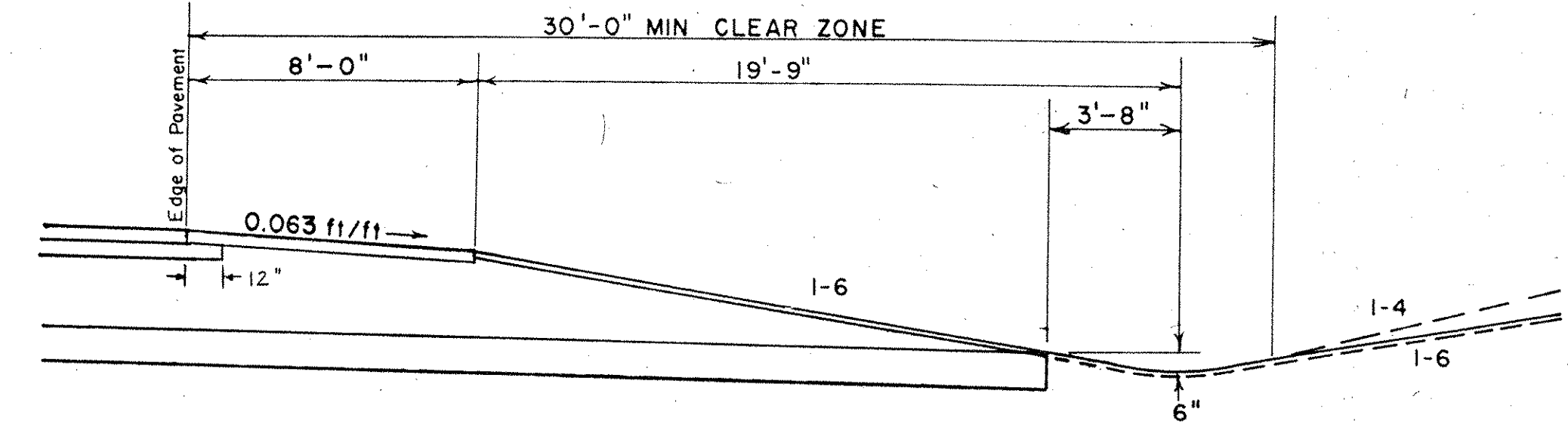
- 3-1/2" BITUMINOUS CONCRETE PAVEMENT (1-1/2" TYPE III OVER 2" TYPE II)
- 3" BITUMINOUS CONCRETE PAVEMENT TYPE I (1 LIFT)
- 24" SUBBASE OF DENSE GRADED CRUSHED STONE
- 18" SAND BORROW (3" IN ROCK CUTS)

SHOULDERS: 3-1/2" BITUMINOUS CONCRETE PAVEMENT (1-1/2" TYPE III OVER 2" TYPE II)

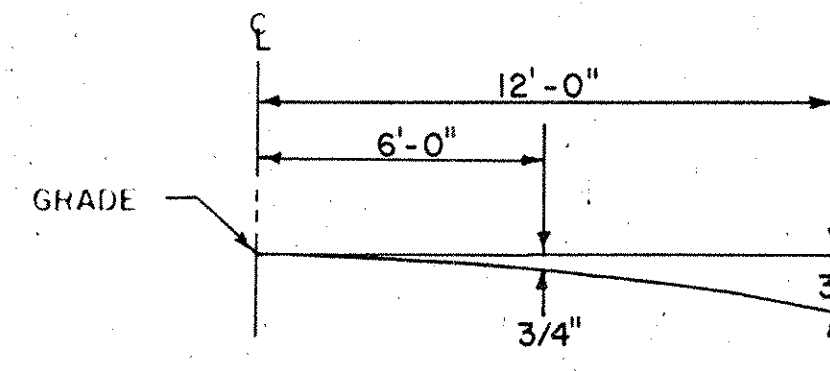
NOTE: ALL BITUMINOUS CONCRETE PAVEMENT TO BE PG 58-34
NOTE: FOR T.H. TYPICALS SEE APPLICABLE CROSS SECTION SHEETS



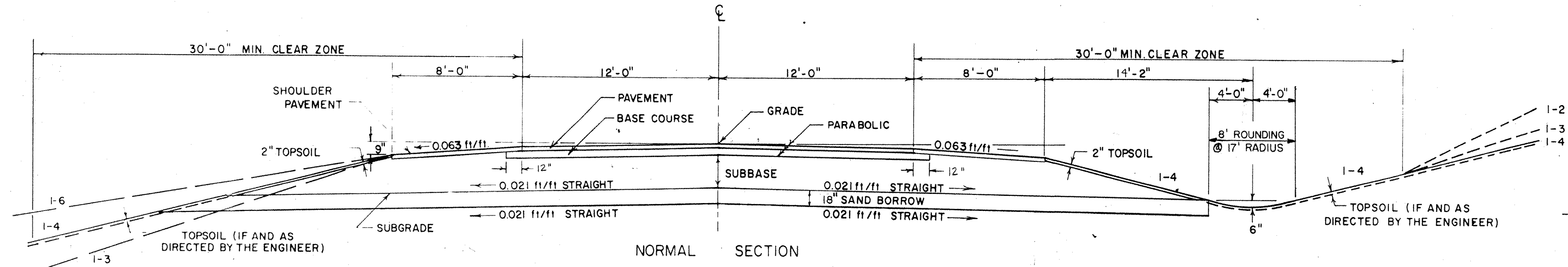
TYPICAL DITCH DETAILS



NORMAL SECTION IN CUT WITH 1-6 SLOPES

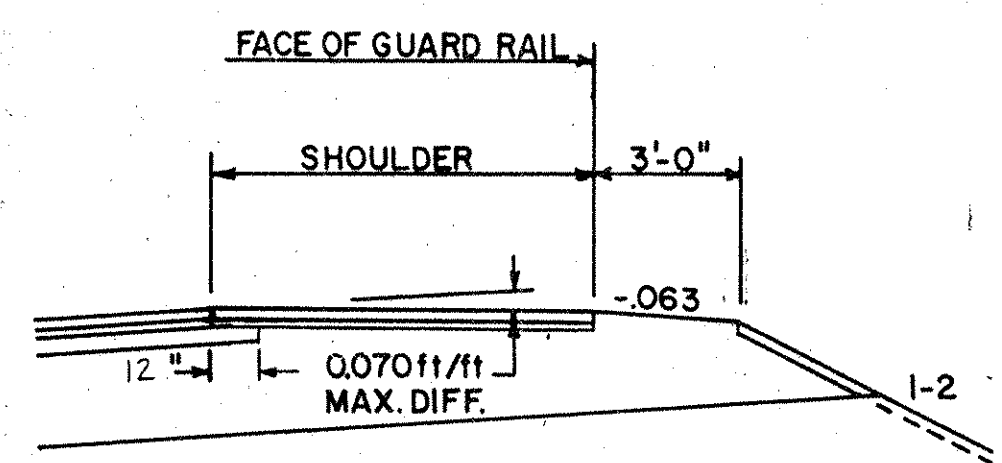


PARABOLIC DETAIL

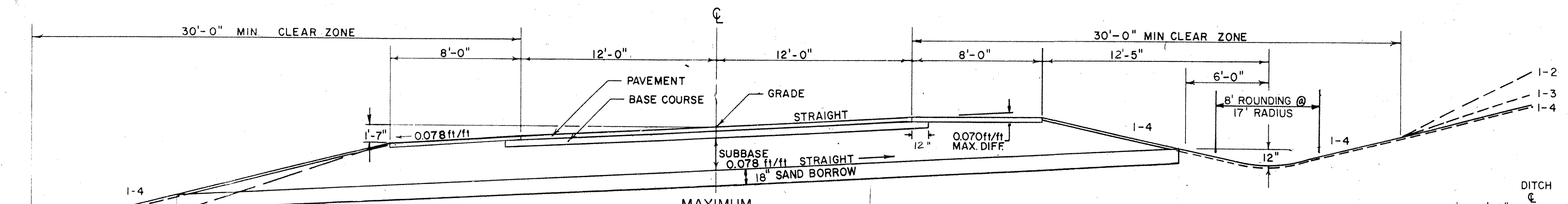


NORMAL SECTION

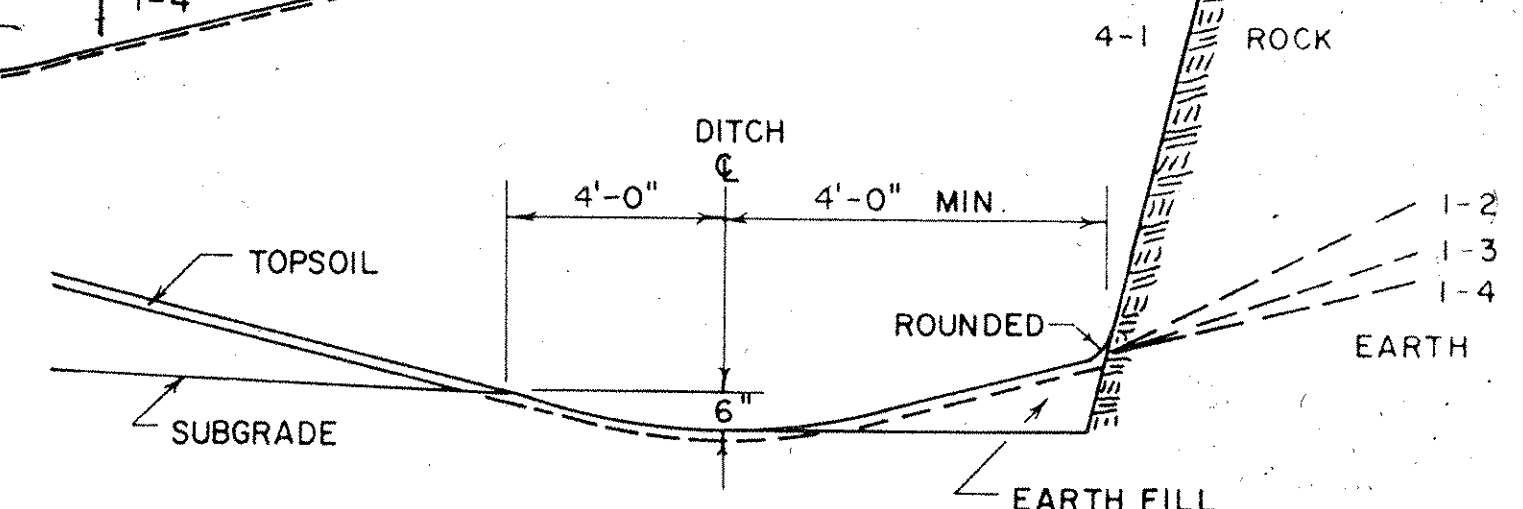
MATERIAL ITEM	THICKNESS TOLERANCE
PAVEMENT (TOTAL DEPTH)	± 1/4"
SUBBASE	± 1"
SAND BORROW	± 1"



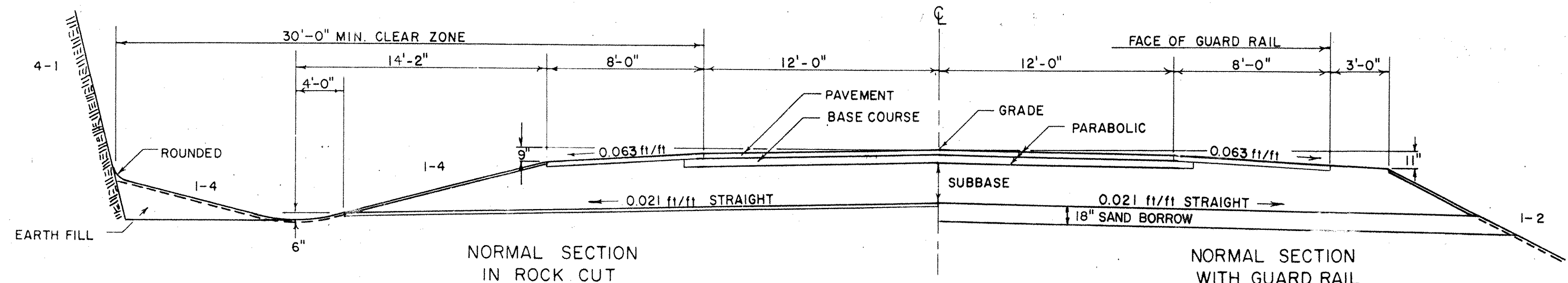
DETAIL OF GUARD RAIL ON HIGH SIDE OF BANKED SECTION



MAXIMUM BANKED SECTION 0.078 ft/ft

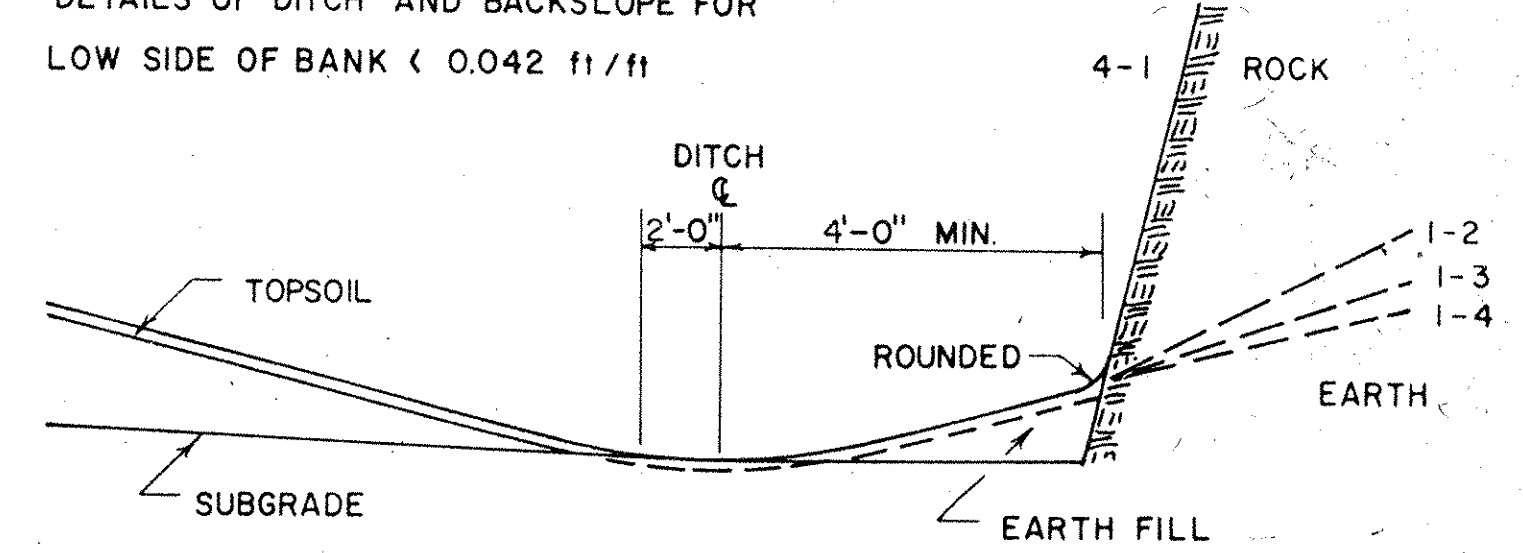


DETAILS OF DITCH AND BACKSLOPE FOR LOW SIDE OF BANK < 0.042 ft/ft



NORMAL SECTION IN ROCK CUT

NORMAL SECTION WITH GUARD RAIL



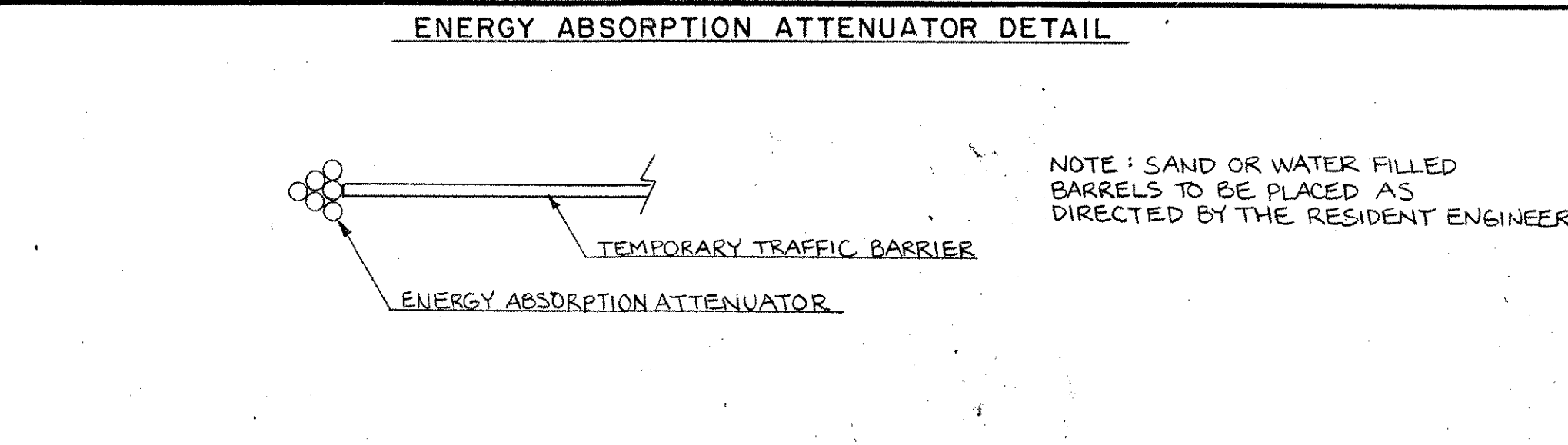
DETAILS OF DITCH AND BACKSLOPE FOR LOW SIDE OF BANK ≥ 0.042 ft/ft

FOR SLOPES IN SOLID ROCK EXCAVATION AND DRILLING AND BLASTING OF SOLID ROCK SUBGRADE, SEE STANDARD SHEET A-60.

SEEDING FORMULA				
RURAL AREAS CONSERVATION MIX				
% WT.	LBS/A	NAME	PUR %	GERM %
37.5	22.5	CREEPING RED FESCUE	98	85
37.5	22.5	TALL FESCUE	95	90
5.0	3.0	RED TOP	95	90
15.0	9.0	BIRDSFOOT TREFOIL	98	85
5.0	3.0	ANNUAL RYEGRASS	95	85
100.0	60.0			

THE SEED MIXTURE SHALL NOT HAVE A WEED CONTENT EXCEEDING 0.40% BY WEIGHT AND SHALL BE FREE FROM ALL NOXIOUS WEED SEED.

- ### GENERAL NOTES
- SEED - To be applied per Seeding Formula as directed by the Engineer
 - FERTILIZER - Formula 19-19-19 to be used with seed, applied at the rate of 500 lbs/Acre.
 - AGRICULTURAL LIMESTONE - To be applied at the rate of 2 tons/Acre or as directed by the Engineer.
 - HAY MULCH - To be placed on earth slopes at the rate of 2 tons/Acre.
 - TOPSOIL - To be used with seed as indicated on the plans or as directed by the Engineer.
 - MARKER POSTS - (Wood or Steel, as specified) - To be placed as directed by the Engineer.
 - SLOPE ROUNDING - All cut slopes to be rounded in accordance with Standard Sheet B-5.
 - PAY LIMITS OF SAND BORROW WHEN USED IN CONJUNCTION WITH UNDERDRAIN - See Standard Sheet D-2.
 - TACK COAT - Emulsified asphalt is to be applied at the rate of 0.015 gal/sy between successive courses of pavement as directed by the Engineer.



TYPICAL SECTIONS FOR

REV. 3-31-97

PROJECT GROTON/RYGATE RTE 302

NO. F 026-1(30)

SHEET 3 OF 152 SHEETS