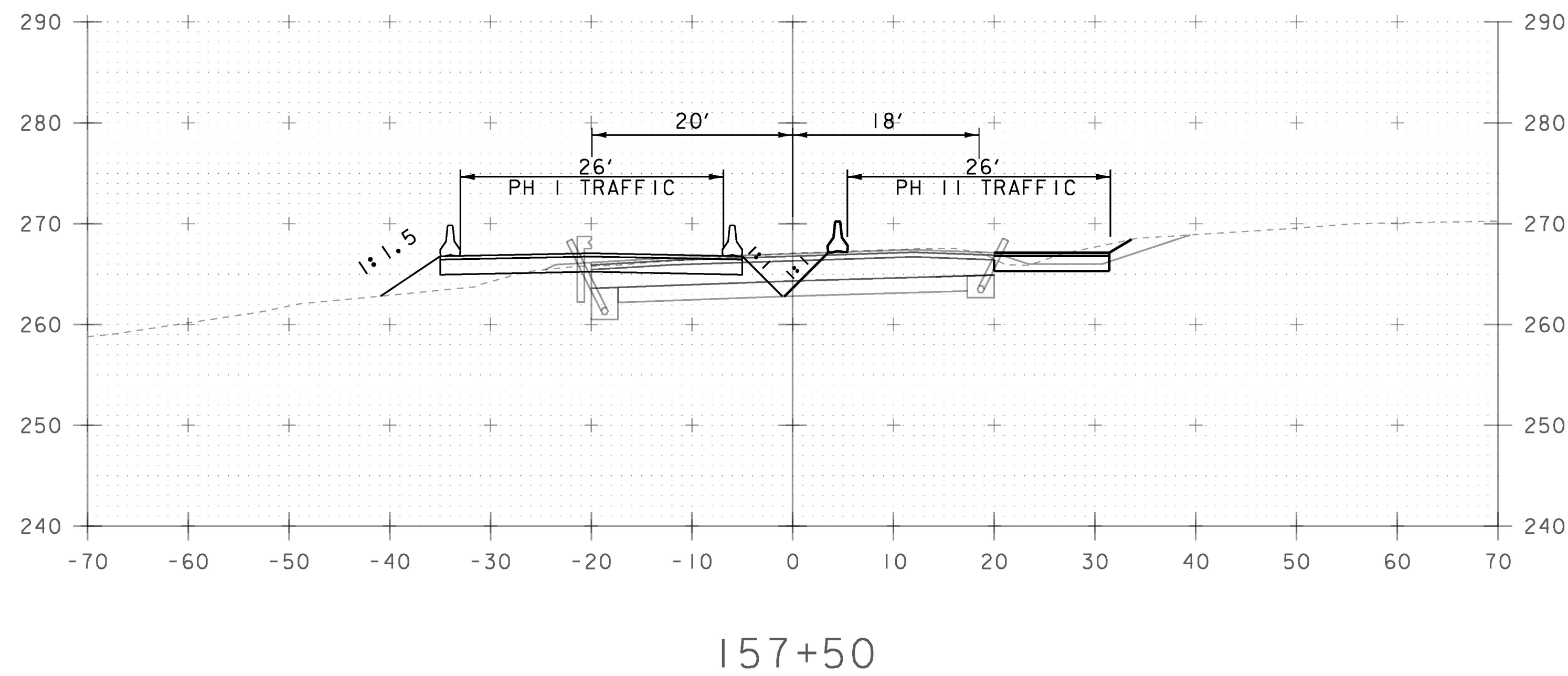
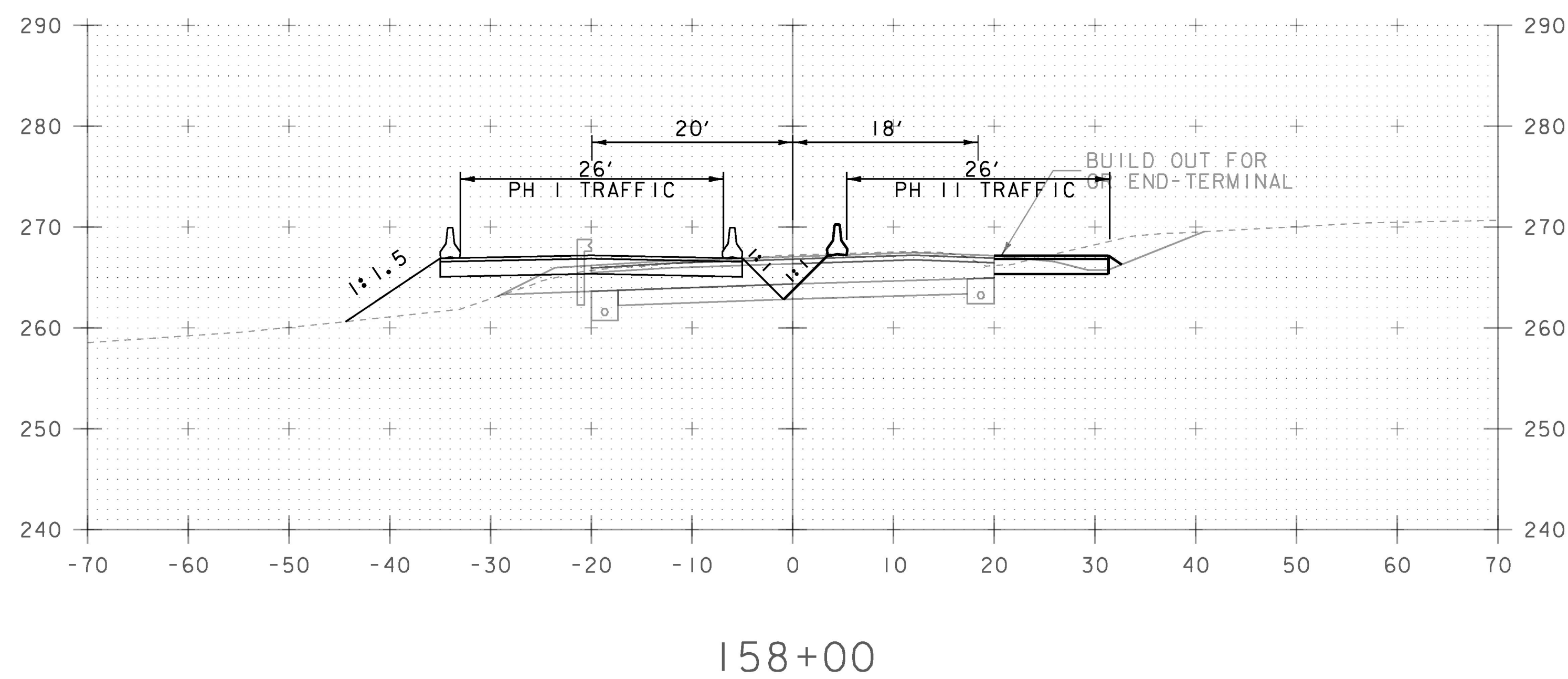
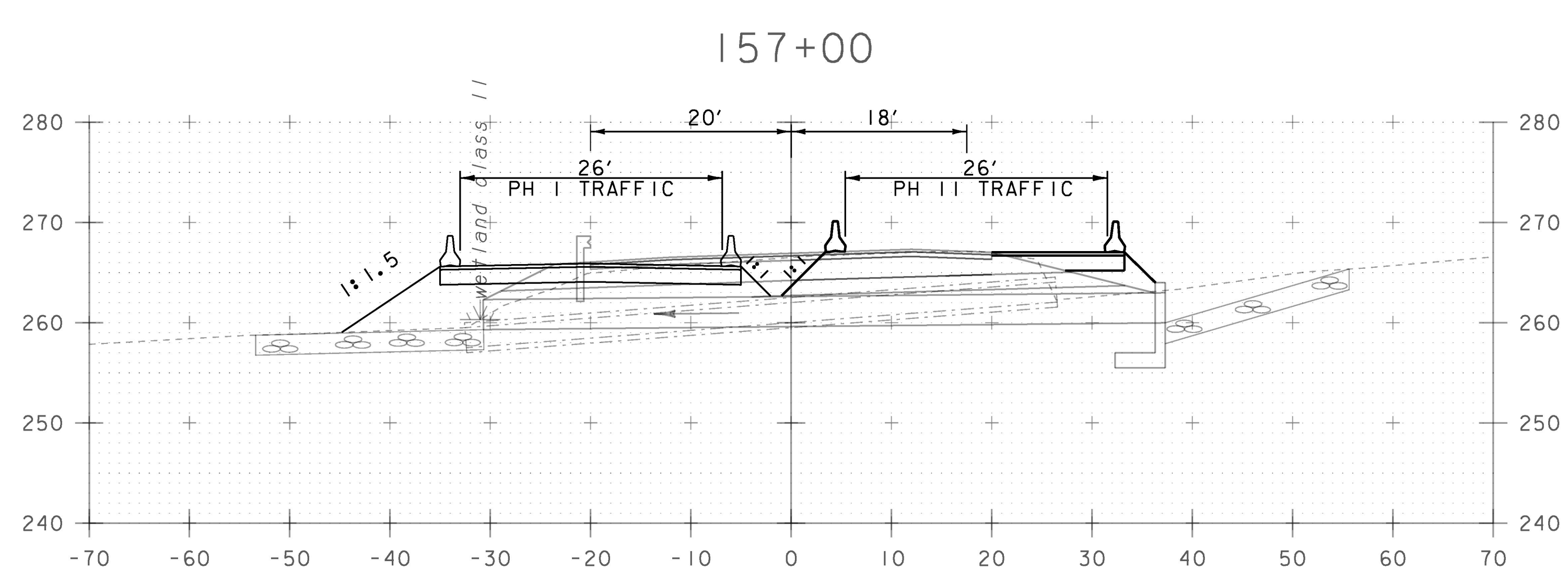


156+52  
NEW 36" CPEP



STA. 156+52 TO STA. 158+00

PROJECT NAME: CHARLOTTE	PLOT DATE: 15-MAR-2016
PROJECT NUMBER: F EGC 019-4(20)	DRAWN BY: B. KIPP
FILE NAME: d78d062_fc_xs.dgn	CHECKED BY: A. BOMBARDIER
PROJECT LEADER: K. UPMAL	SHEET 494 OF 499
DESIGNED BY: B. KIPP	
TRAFFIC CONTROL CROSS SECTIONS 78	