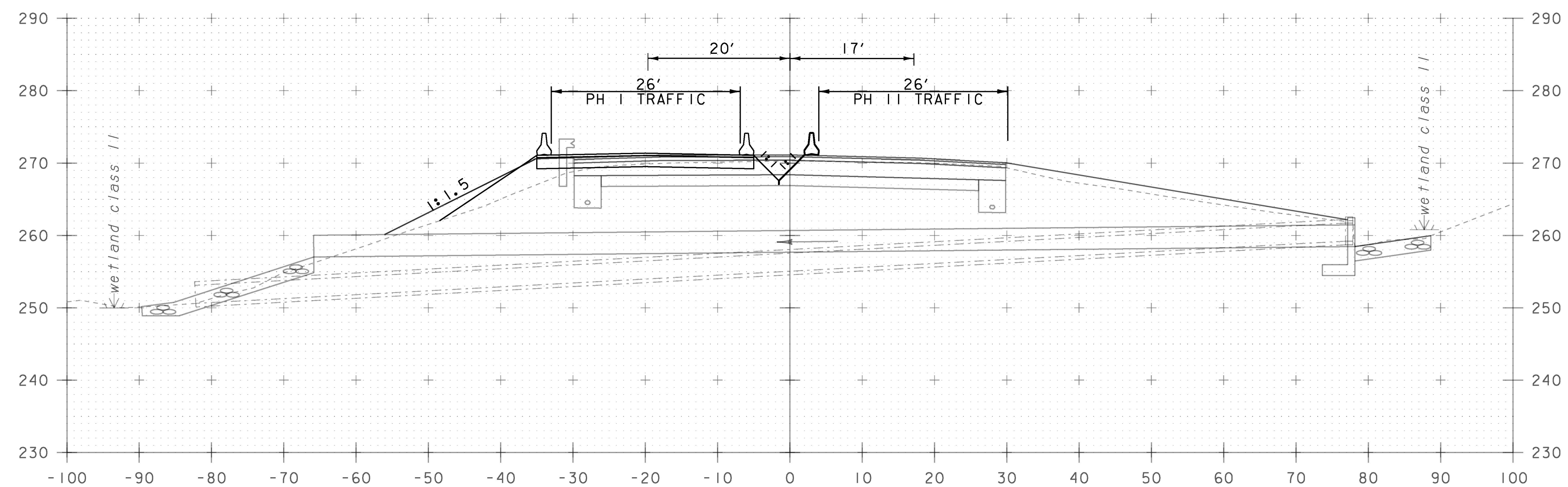


149+50



149+10 ANGLE 48° 00' 00" RT
NEW 36" CPEP

STA. 149+10 TO STA. 149+50

PROJECT NAME: CHARLOTTE	PLOT DATE: 15-MAR-2016
PROJECT NUMBER: F EGC 019-4(20)	DRAWN BY: B. KIPP
FILE NAME: d78d062_fc_xs.dgn	CHECKED BY: A. BOMBARDIER
PROJECT LEADER: K. UPMAL	TRAFFIC CONTROL CROSS SECTIONS 73
DESIGNED BY: B. KIPP	SHEET 489 OF 499