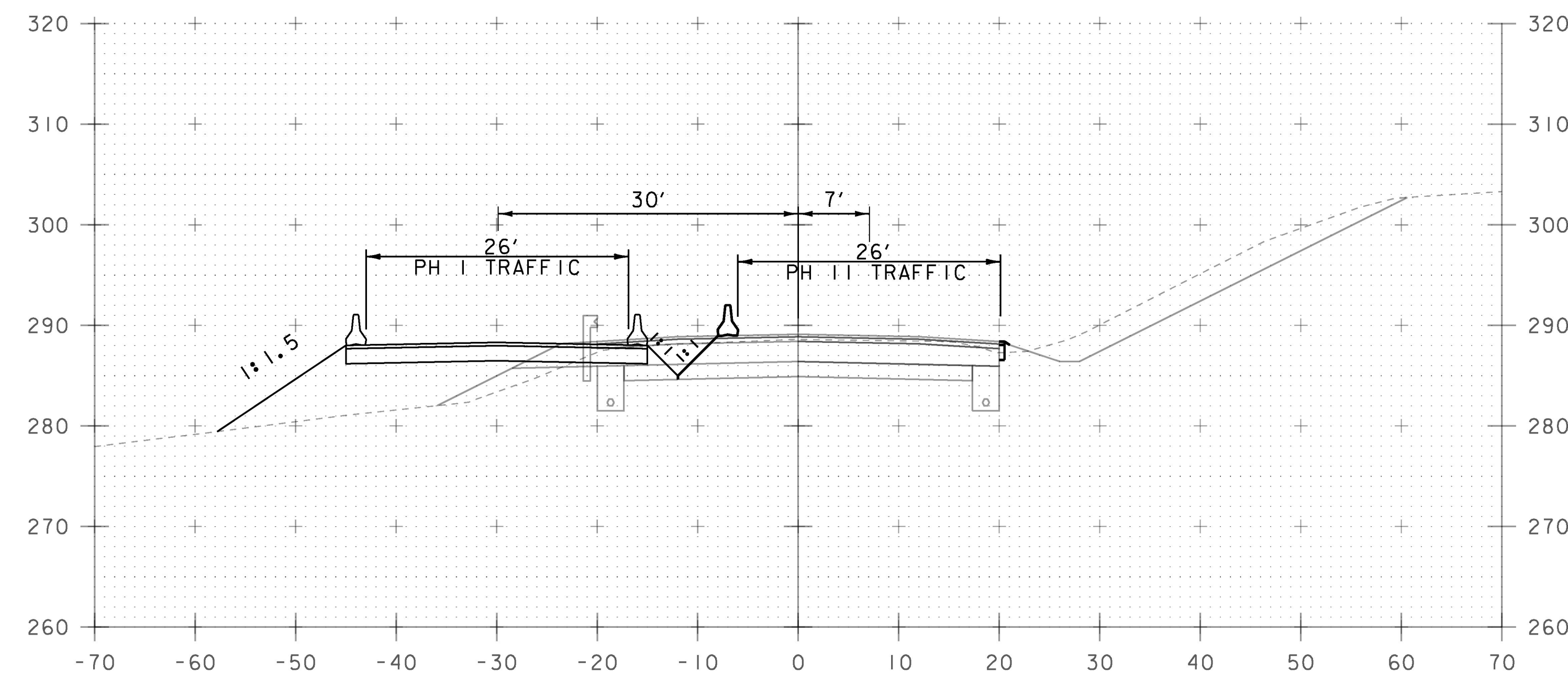
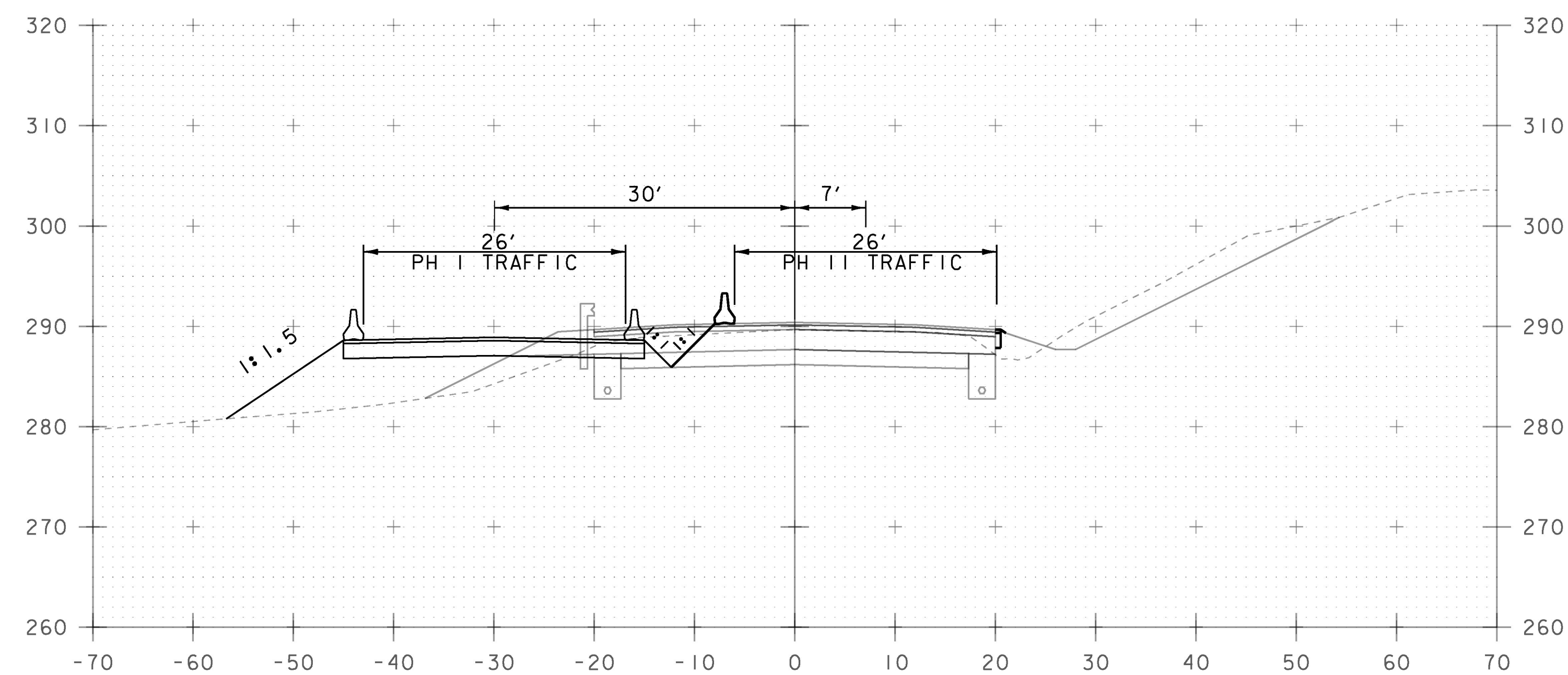


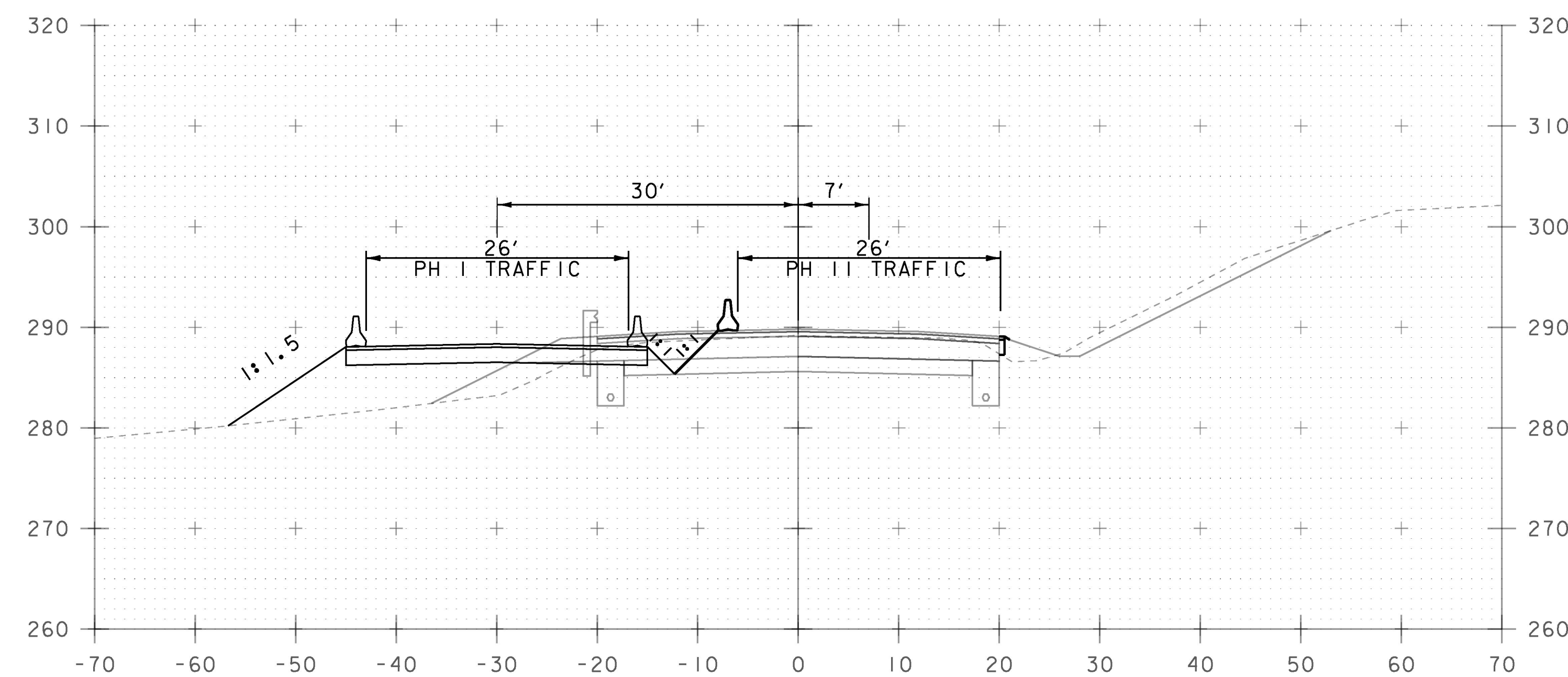
136+22



137+00



136+00



136+50

STA. 136+00 TO STA. 137+00

PROJECT NAME: CHARLOTTE	
PROJECT NUMBER: F EGC 019-4(20)	
FILE NAME: d78d062_fc_xs.dgn	PLOT DATE: 15-MAR-2016
PROJECT LEADER: K. UPMAL	DRAWN BY: B. KIPP
DESIGNED BY: B. KIPP	CHECKED BY: A. BOMBARDIER
TRAFFIC CONTROL CROSS SECTIONS 65	SHEET 481 OF 499