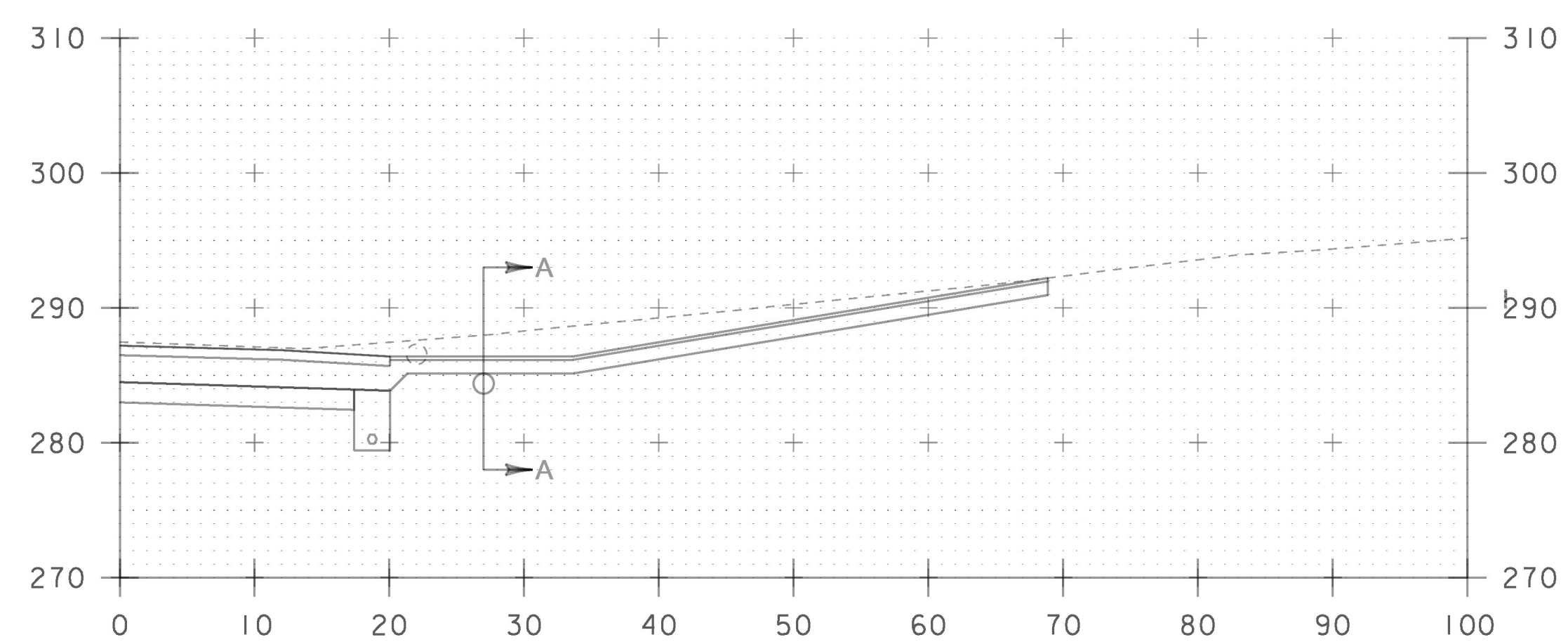
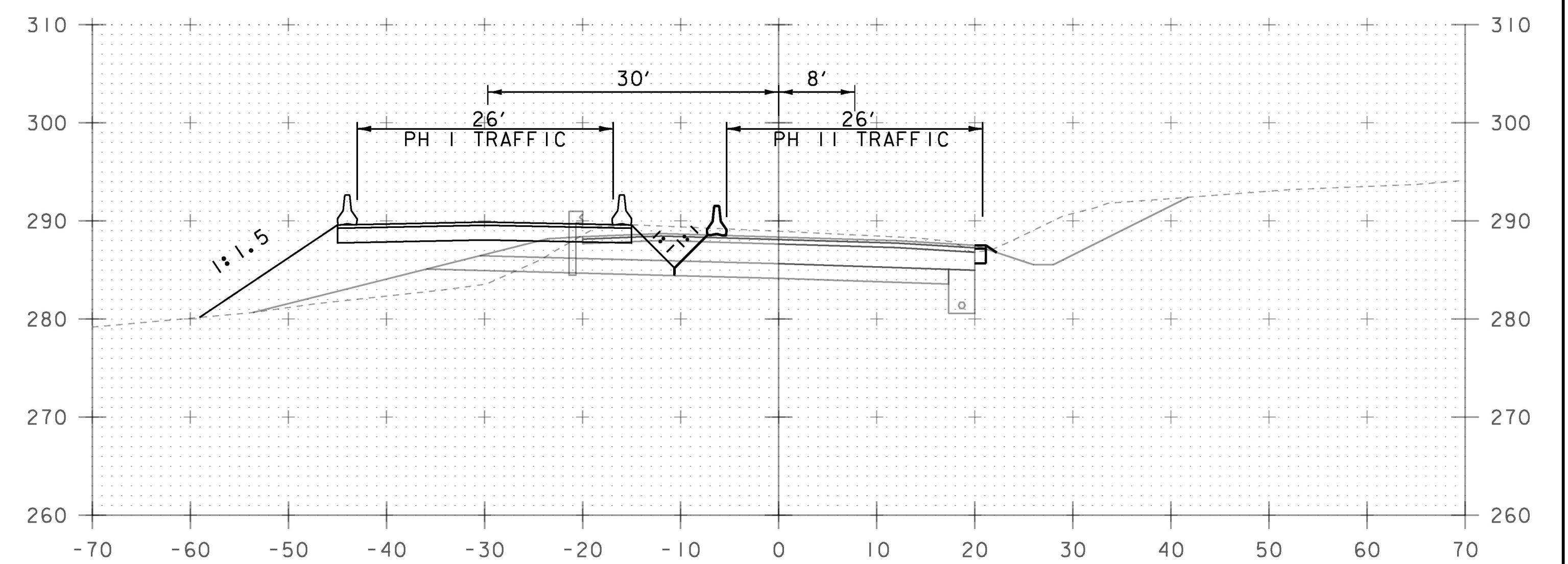


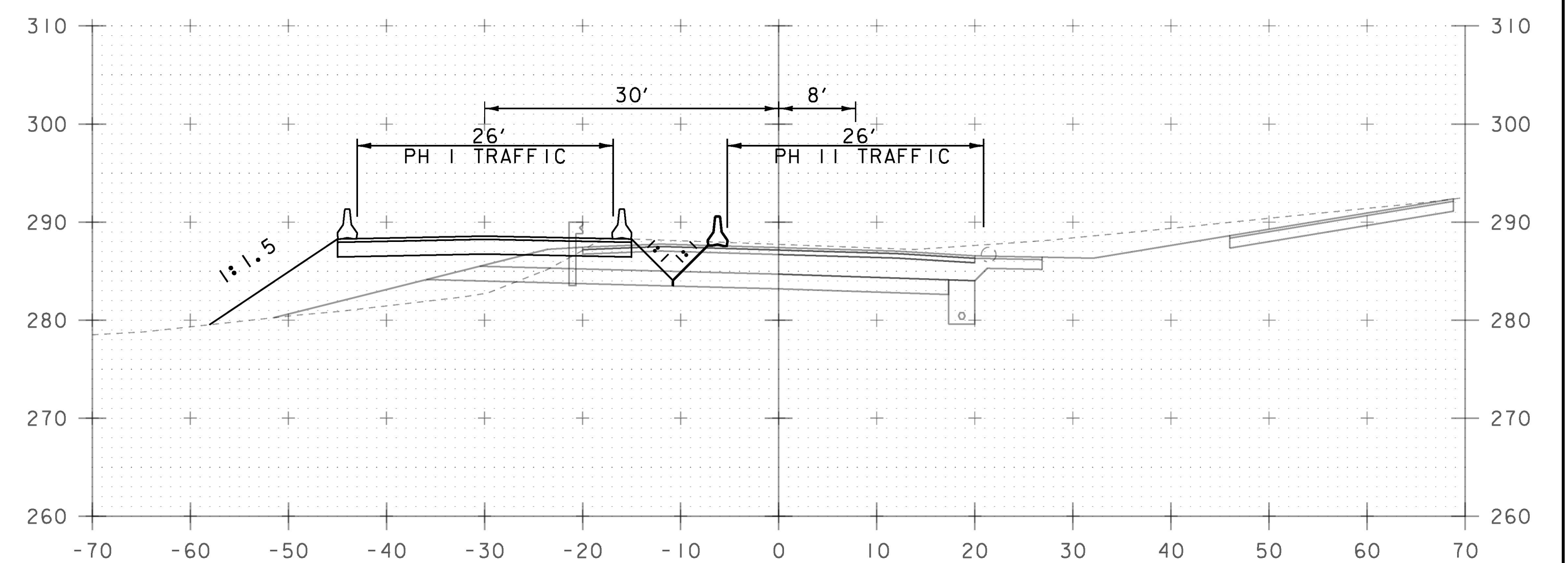
129+90 DRIVE RT SECTION A-A



129+90 DRIVE RT  
SKEWED 33° 19' 14.16" RT



130+50



130+00

STA. 129+90 TO STA. 130+50

PROJECT NAME: CHARLOTTE	
PROJECT NUMBER: F EGC 019-4(20)	
FILE NAME: d78d062_fc_xs.dgn	PLOT DATE: 15-MAR-2016
PROJECT LEADER: K. UPMAL	DRAWN BY: B. KIPP
DESIGNED BY: B. KIPP	CHECKED BY: A. BOMBARDIER
TRAFFIC CONTROL CROSS SECTIONS 61	SHEET 477 OF 499