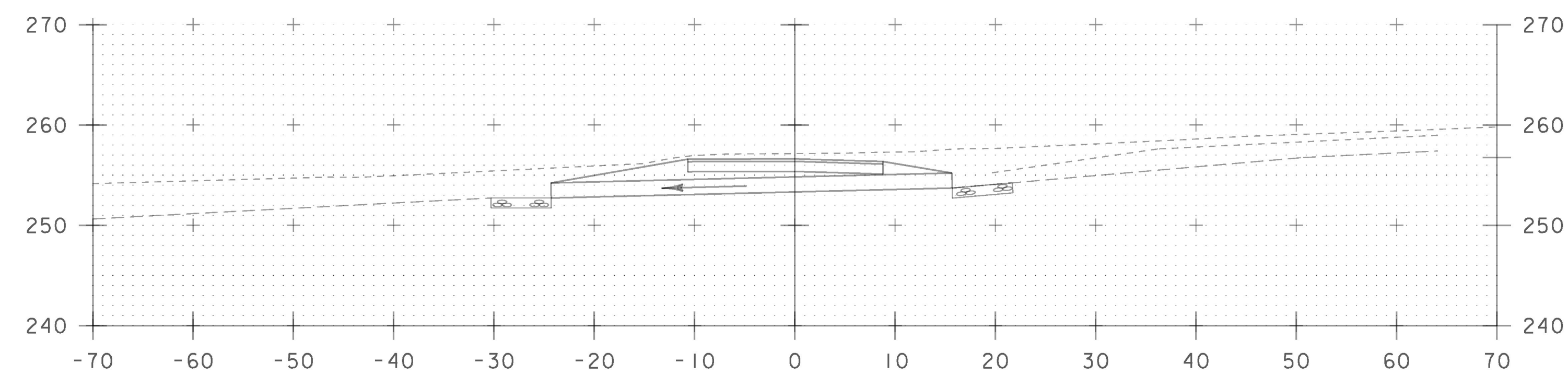
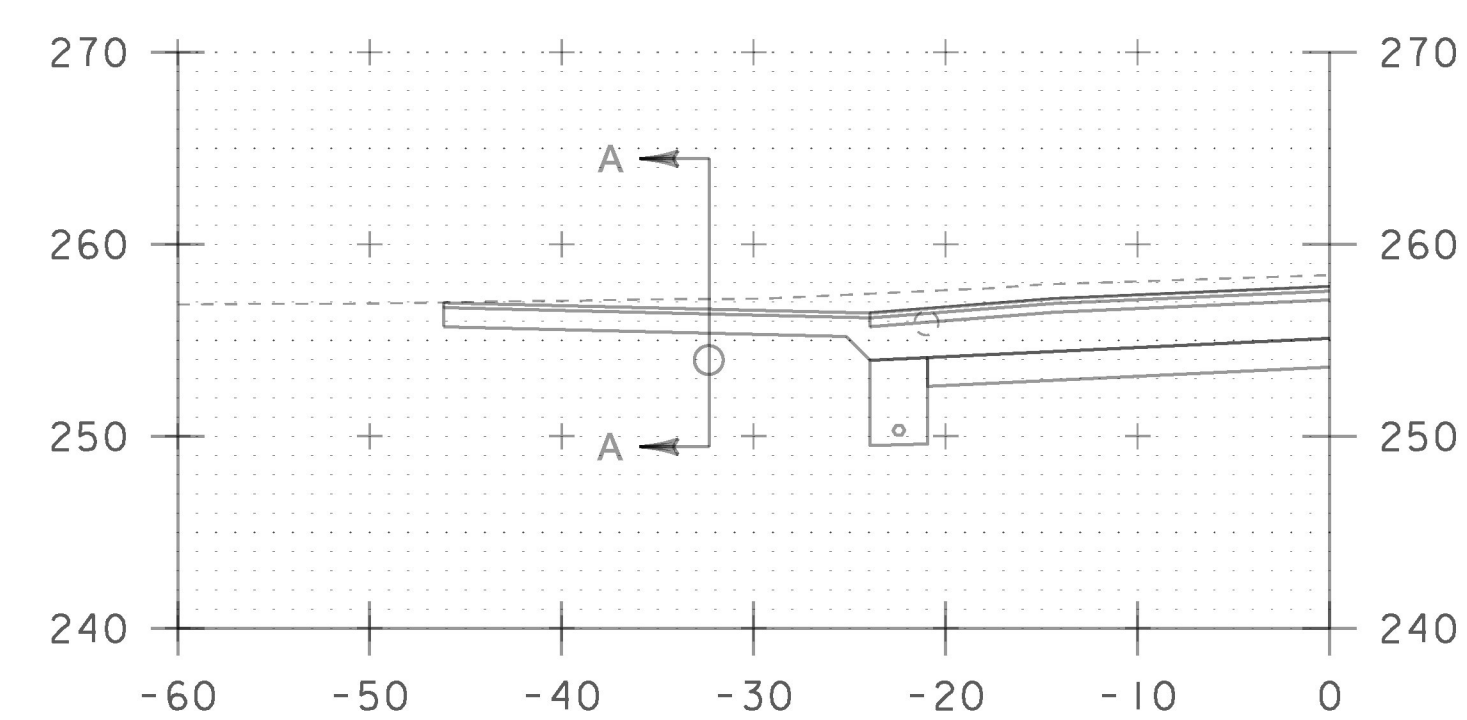


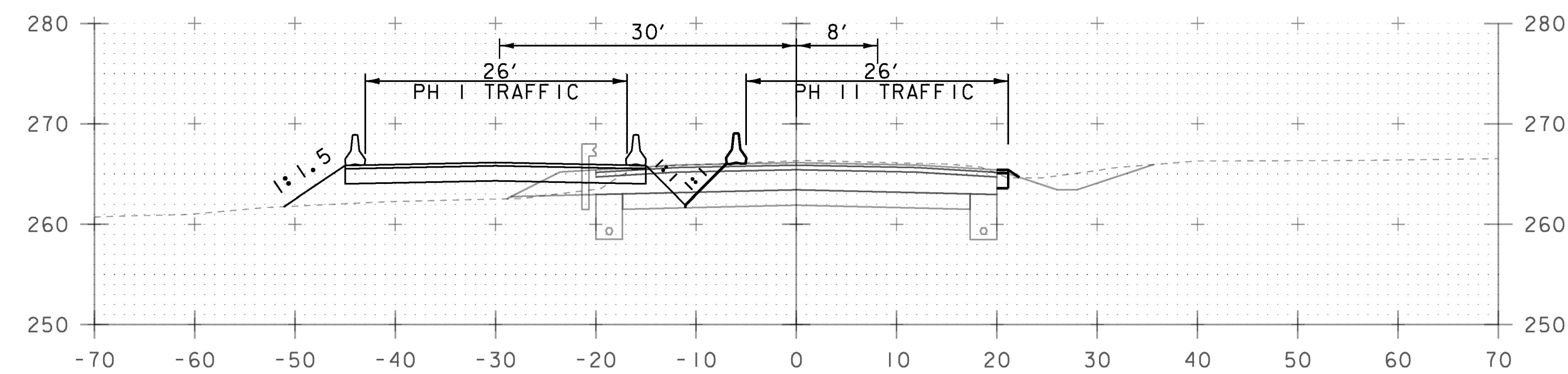
120+50



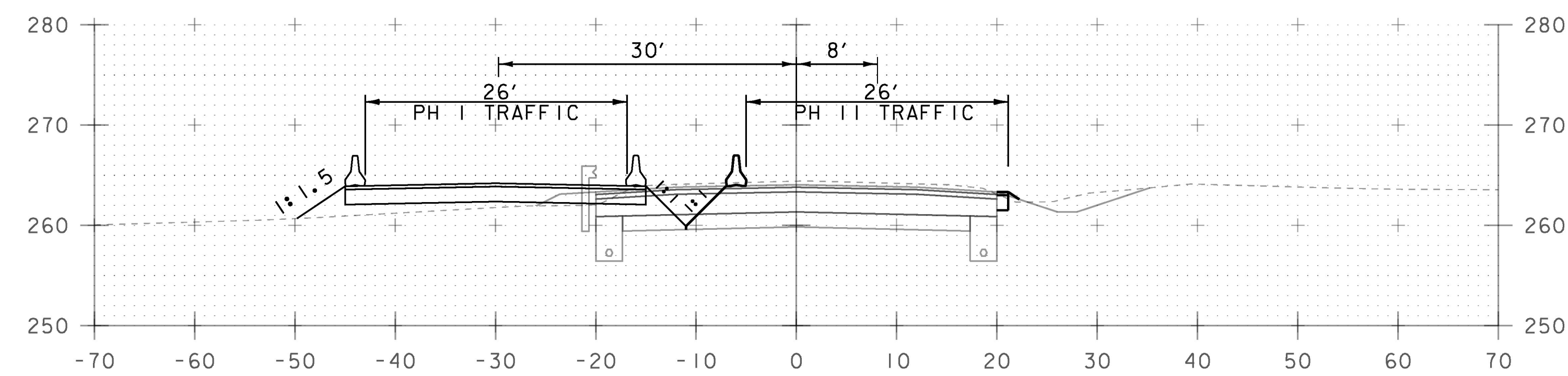
120+17 DRIVE LT SECTION A-A



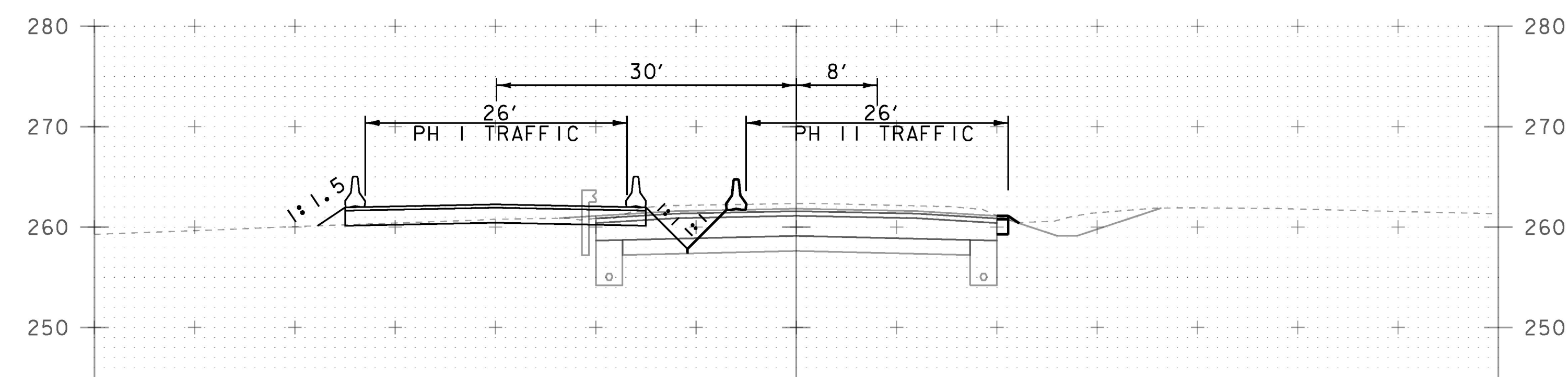
120+17 DRIVE LT
SKEWED 33° 19' 14.16" RT



122+00



121+50



121+00

STA. 120+17 TO STA. 122+00

PROJECT NAME:	CHARLOTTE
PROJECT NUMBER:	F EGC 019-4(20)
FILE NAME:	d78d062_fc_xs.dgn
PROJECT LEADER:	K. UPMAL
DESIGNED BY:	B. KIPP
TRAFFIC CONTROL CROSS SECTIONS	56
PLOT DATE:	15-MAR-2016
DRAWN BY:	B. KIPP
CHECKED BY:	A. BOMBARDIER
SHEET	472 OF 499