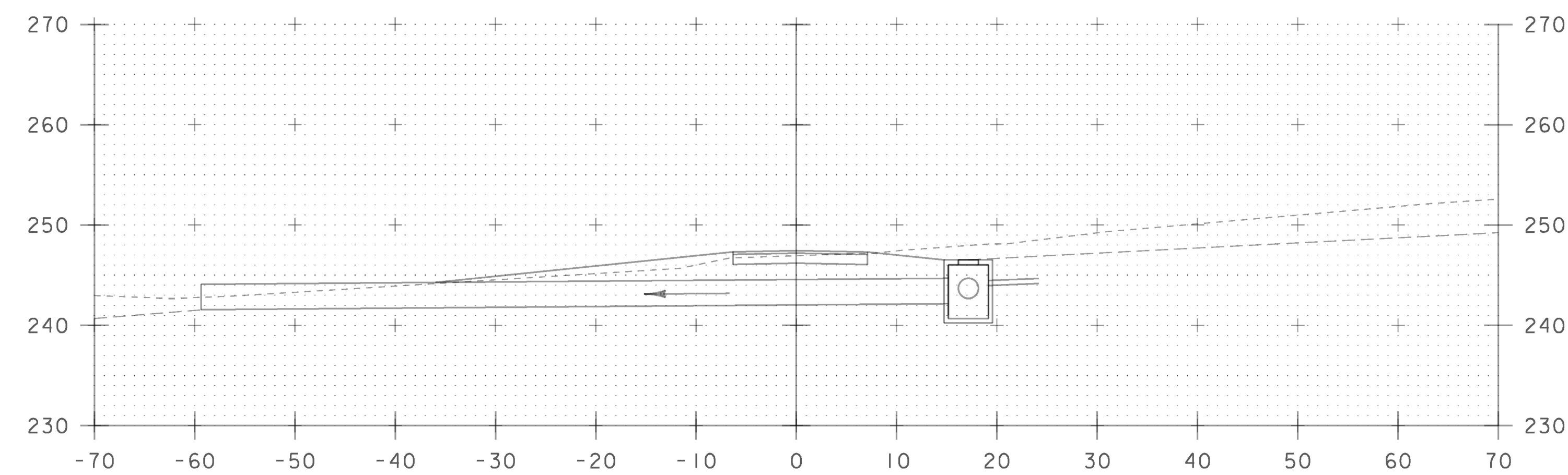
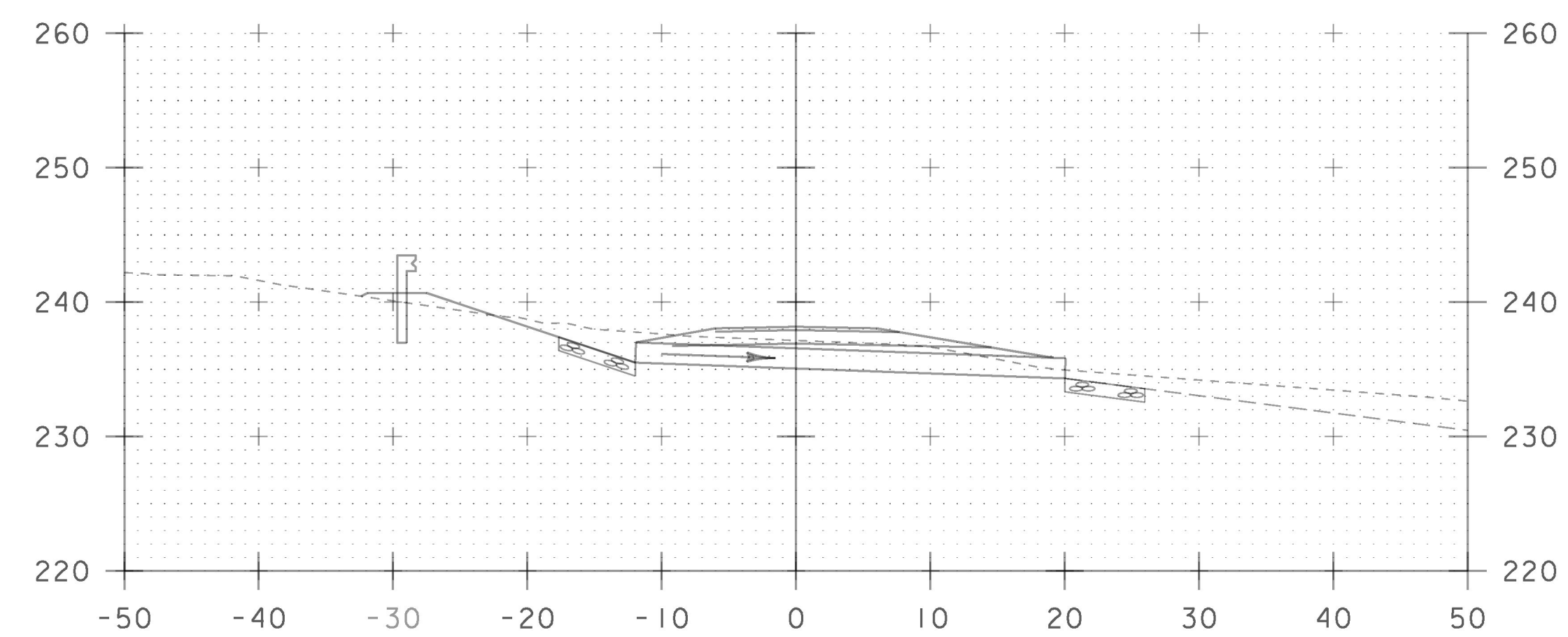


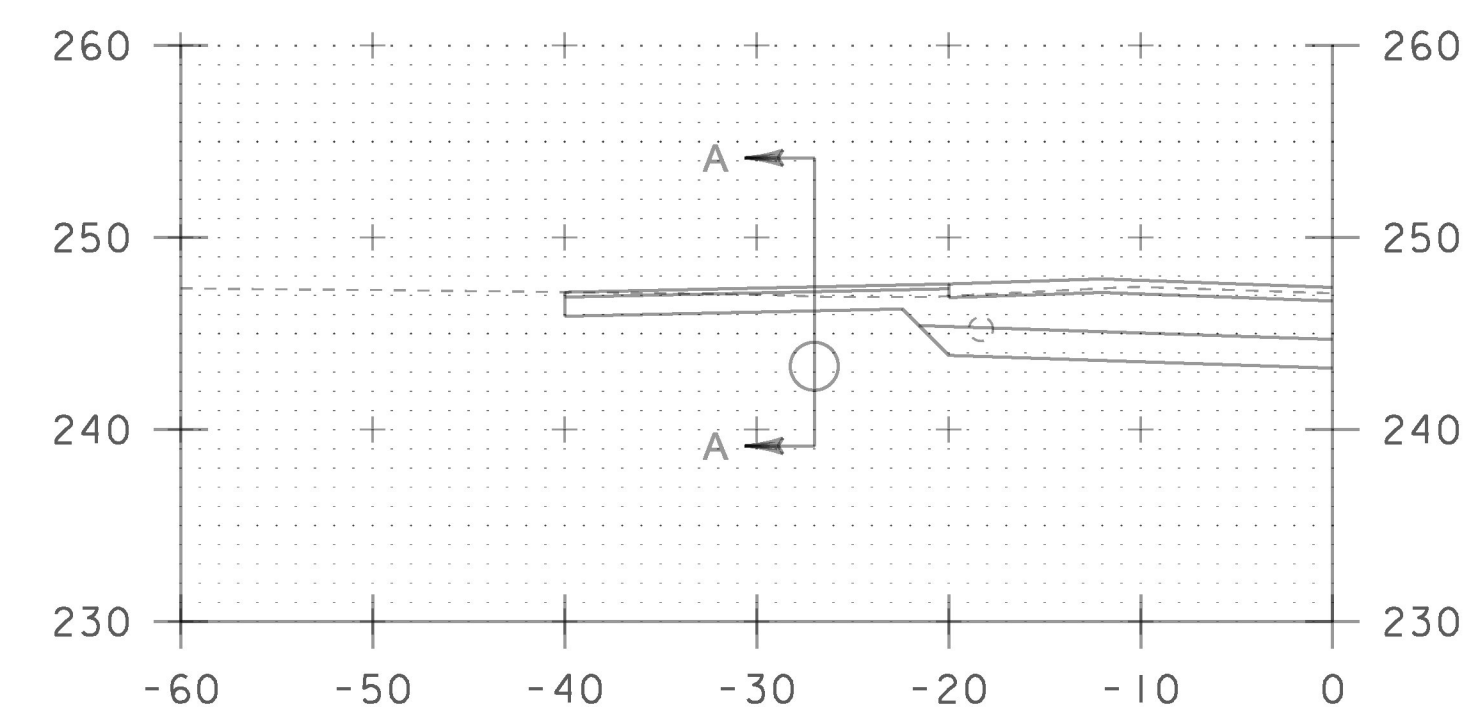
117+50



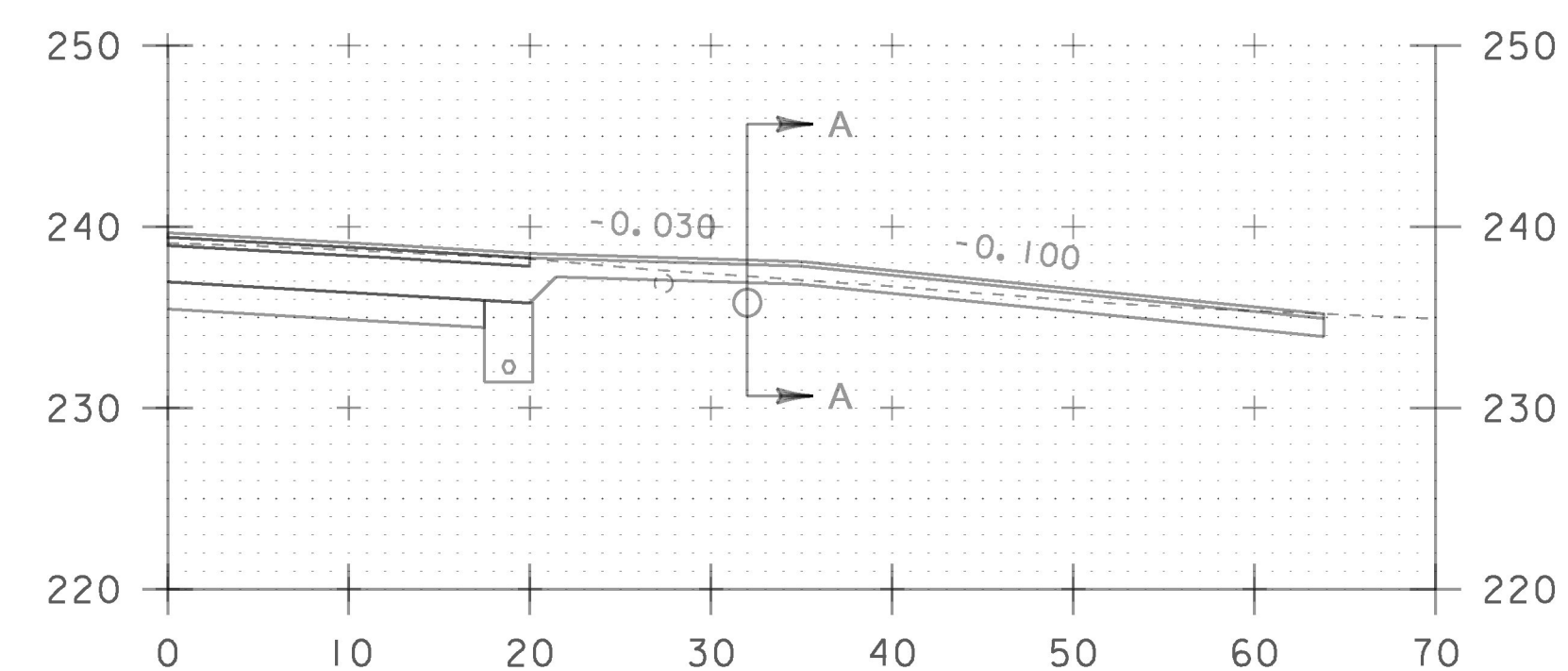
118+33 DRIVE LT SECTION A-A



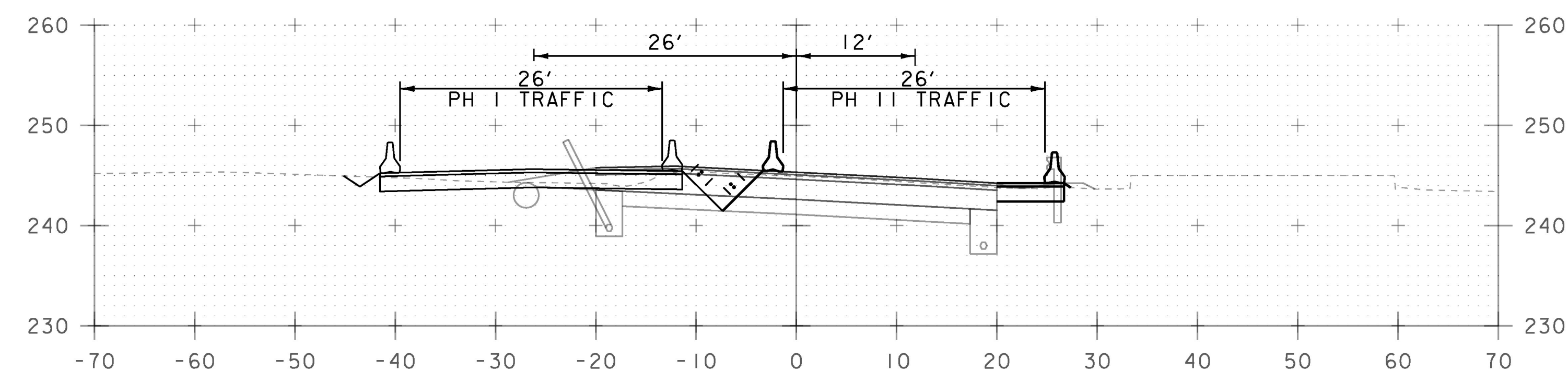
117+12 DRIVE RT SECTION A-A



118+33 DRIVE LT
SKEWED 7° 17' 06.72" RT



117+12 DRIVE RT



118+00

PROJECT NAME:	CHARLOTTE
PROJECT NUMBER:	F EGC 019-4(20)
FILE NAME:	d78d062_fc_xs.dgn
PROJECT LEADER:	K. UPMAL
DESIGNED BY:	B. KIPP
TRAFFIC CONTROL CROSS SECTIONS 54	
PLOT DATE:	15-MAR-2016
DRAWN BY:	B. KIPP
CHECKED BY:	A. BOMBARDIER
	SHEET 470 OF 499

STA. 117+12 TO STA. 118+33