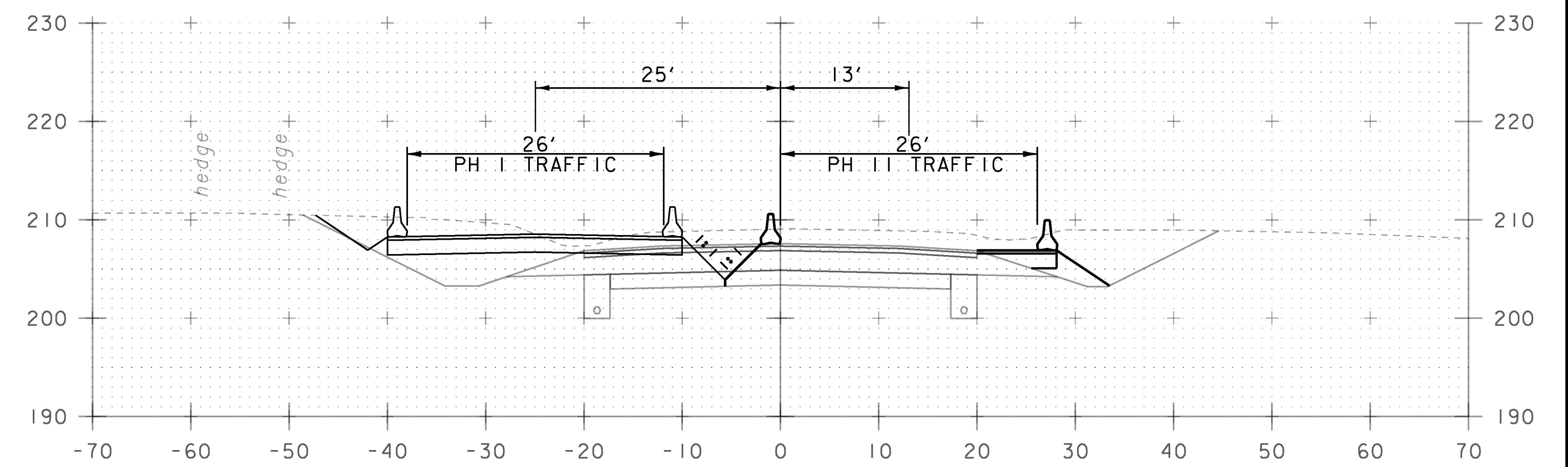
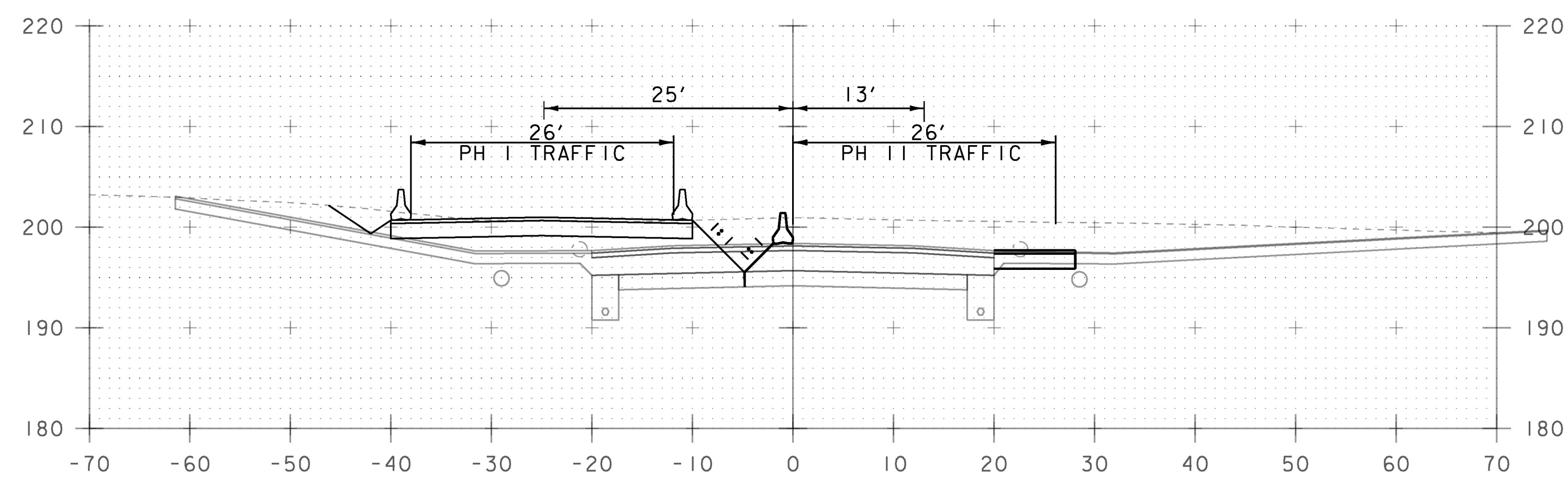


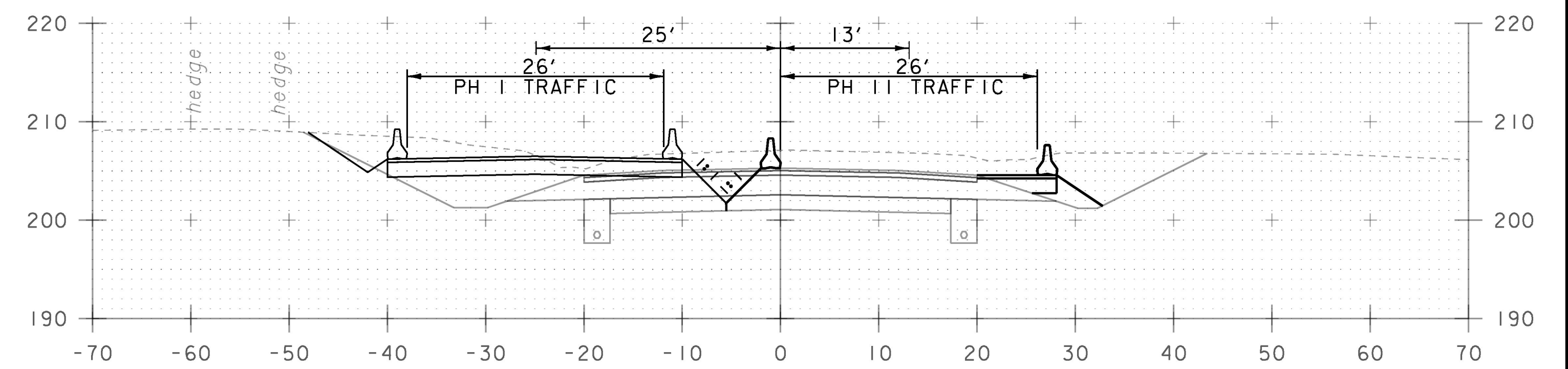
109+50



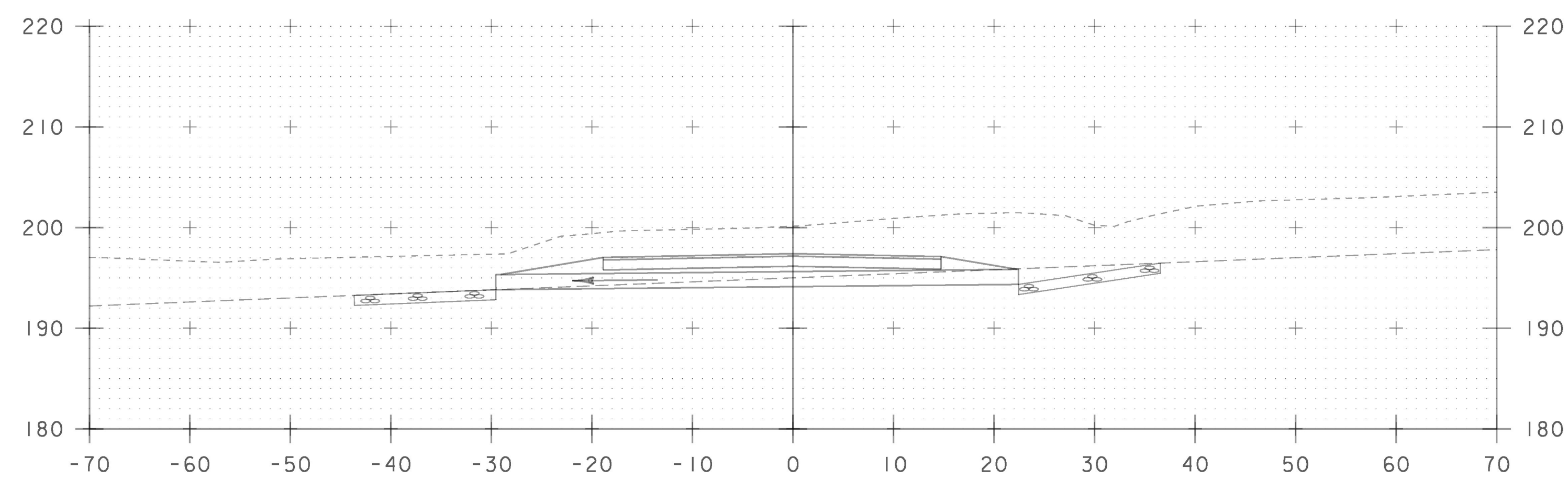
111+00



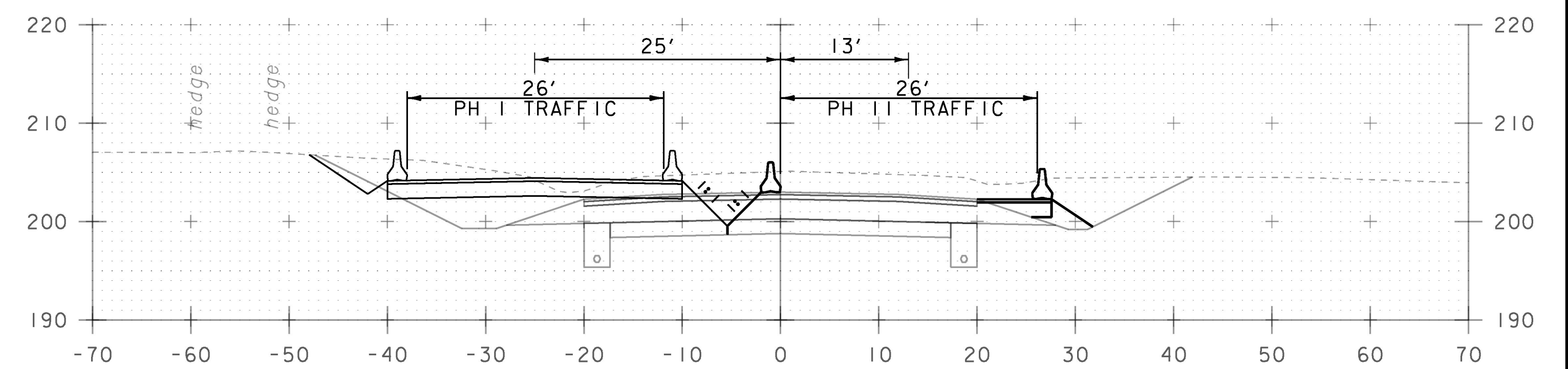
109+00



110+50



108+92 DRIVE LT SECTION A-A



110+00

STA. 108+92 TO STA. 111+00

PROJECT NAME:	CHARLOTTE
PROJECT NUMBER:	F EGC 019-4(20)
FILE NAME:	d78d062_fc_xs.dgn
PROJECT LEADER:	K. UPMAL
DESIGNED BY:	B. KIPP
TRAFFIC CONTROL CROSS SECTIONS 51	
PLOT DATE:	15-MAR-2016
DRAWN BY:	B. KIPP
CHECKED BY:	A. BOMBARDIER
	SHEET 467 OF 499