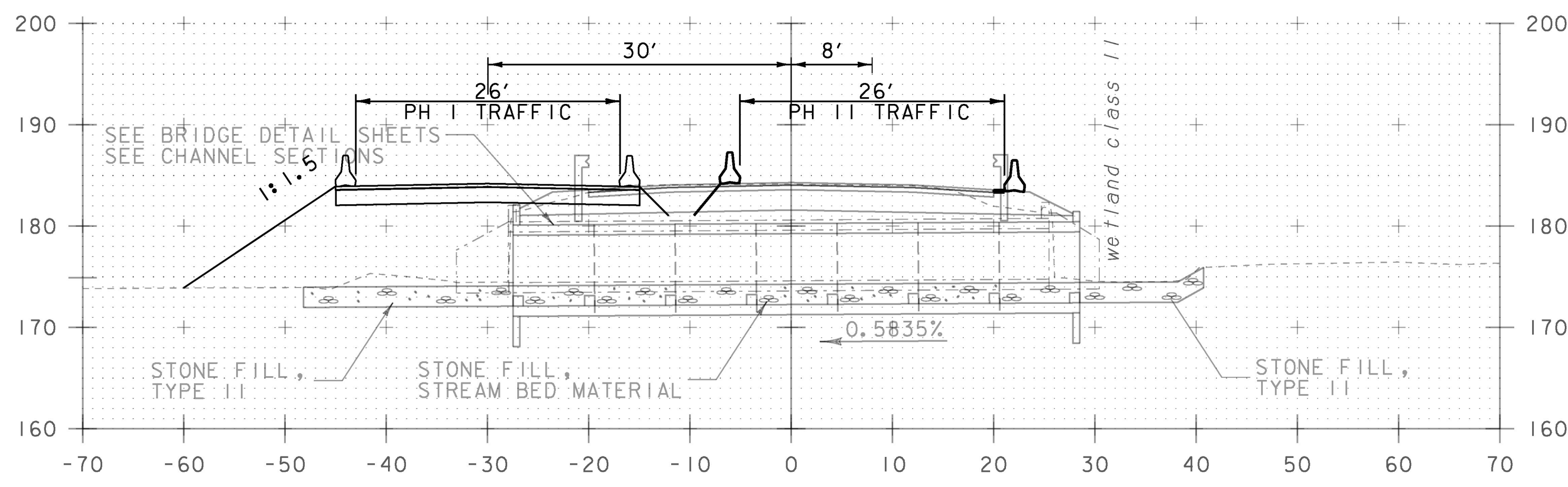
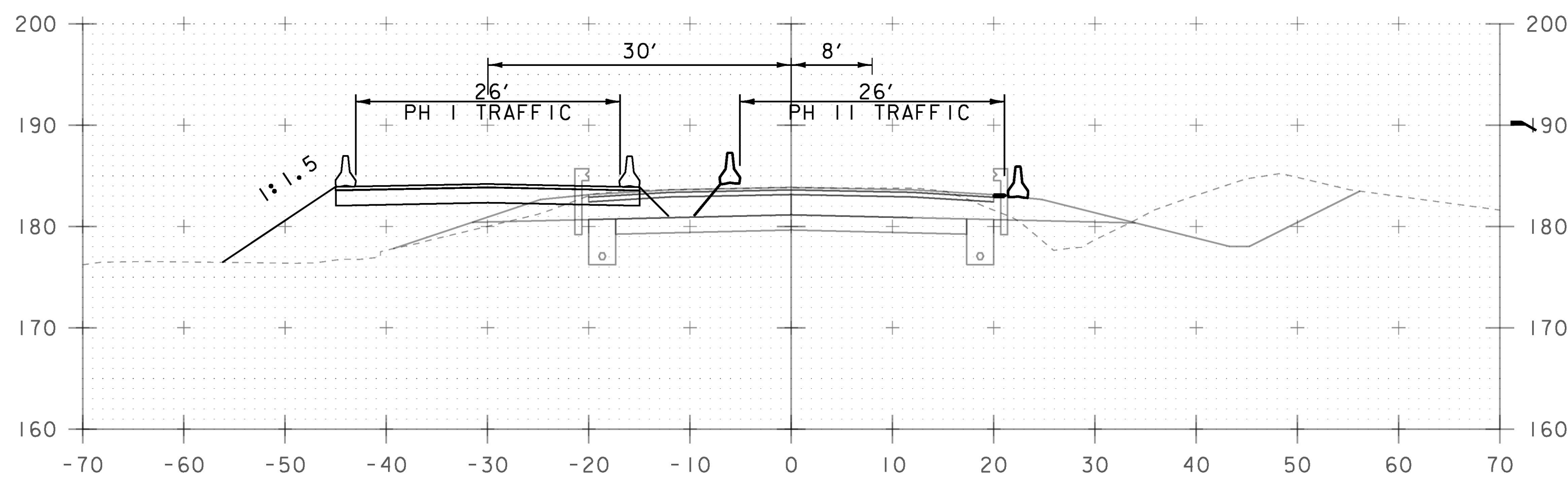


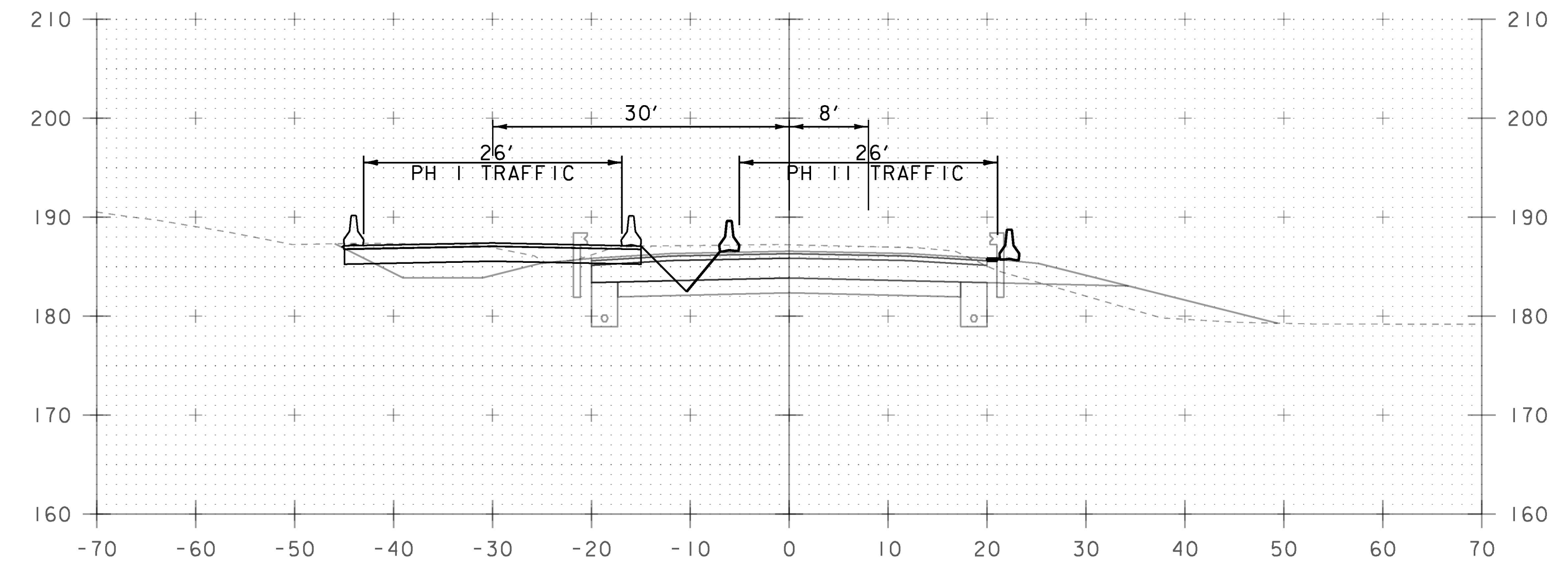
105+00



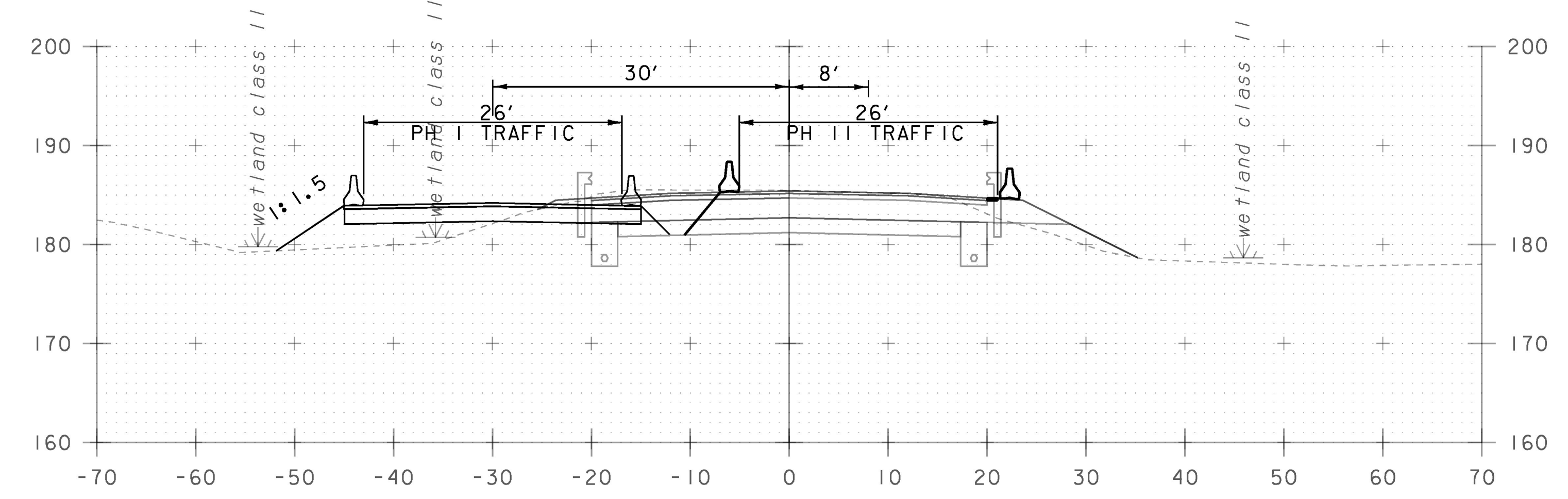
104+85
BRIDGE #142



104+50



106+00



105+50

STA. 104+50 TO STA. 106+00

PROJECT NAME: CHARLOTTE	
PROJECT NUMBER: F EGC 019-4(20)	
FILE NAME: d78d062_fc_xs.dgn	PLOT DATE: 15-MAR-2016
PROJECT LEADER: K. UPMAL	DRAWN BY: B. KIPP
DESIGNED BY: B. KIPP	CHECKED BY: A. BOMBARDIER
TRAFFIC CONTROL CROSS SECTIONS 49	SHEET 465 OF 499