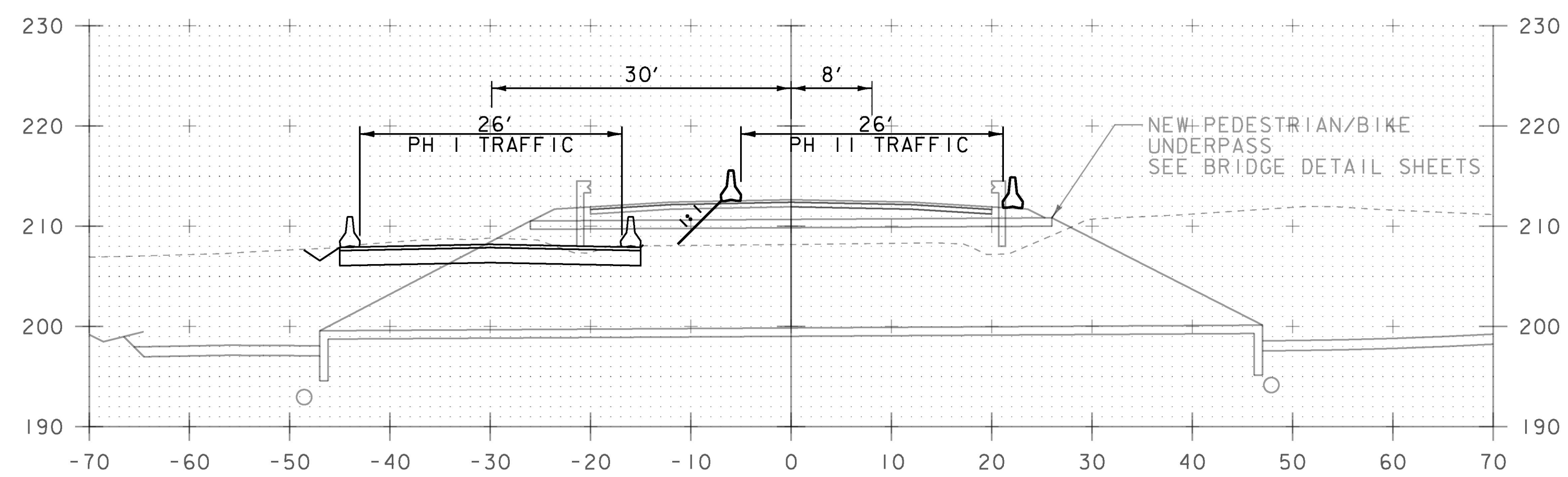
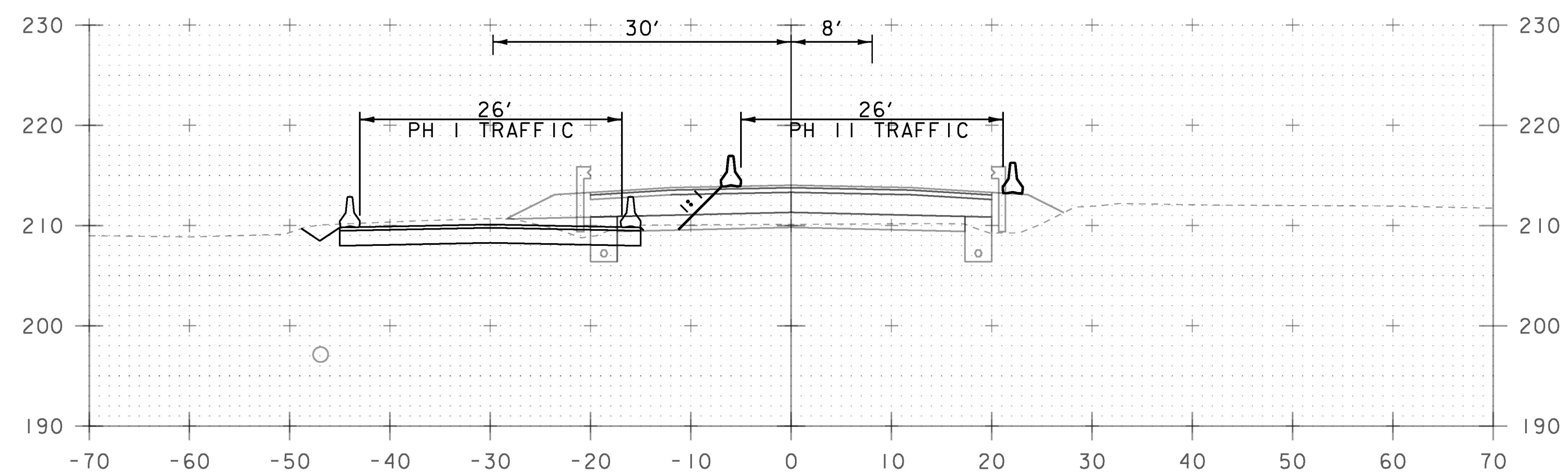


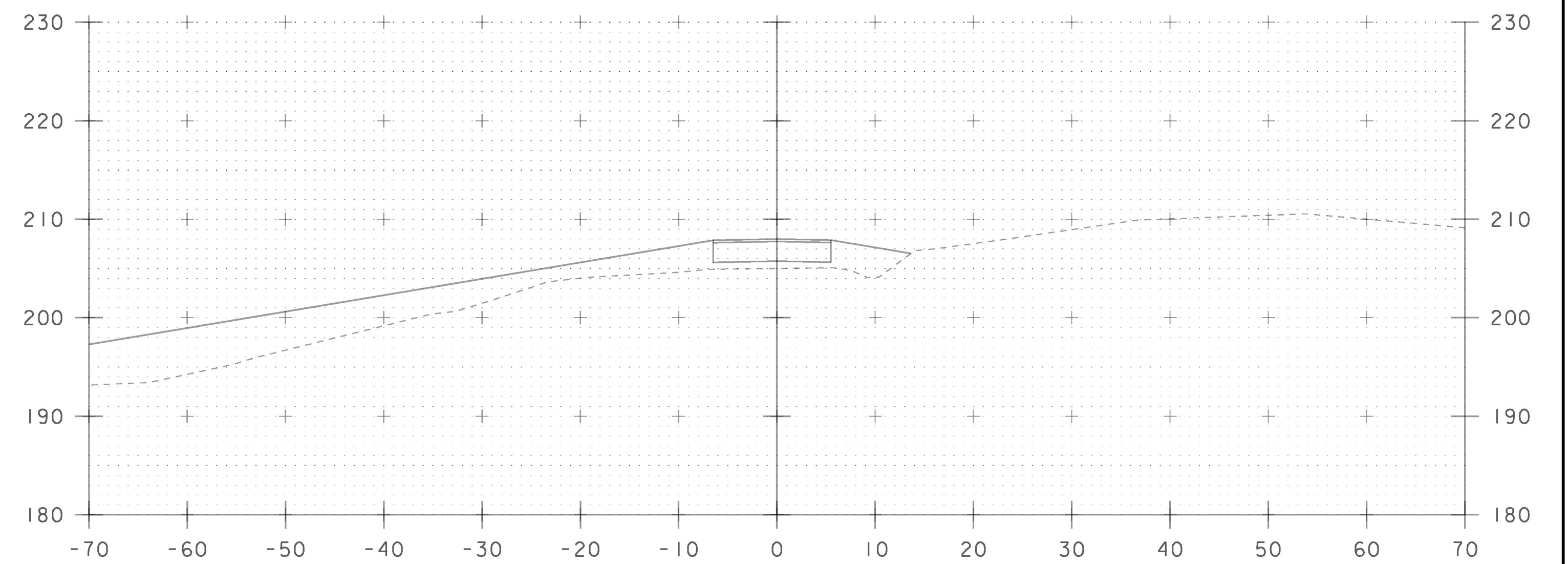
92+00



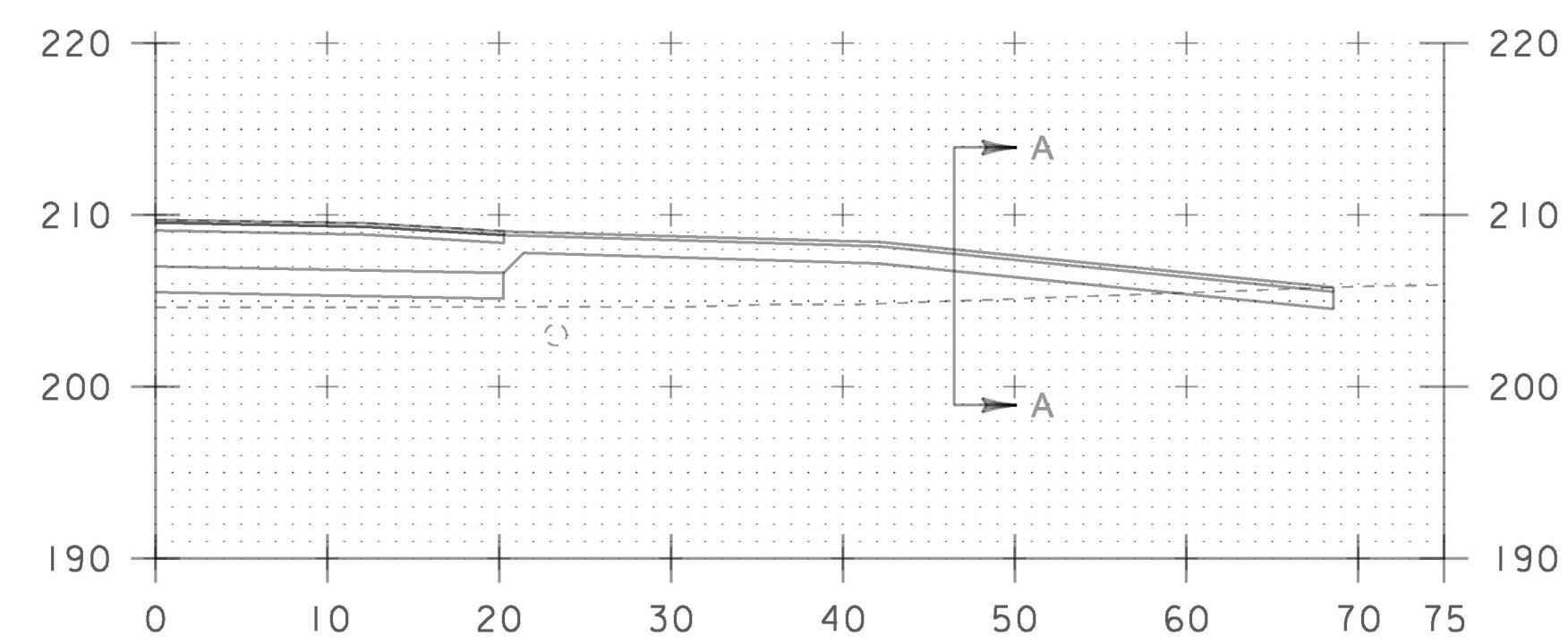
91+50
PEDESTRIAN-BIKE UNDERPASS



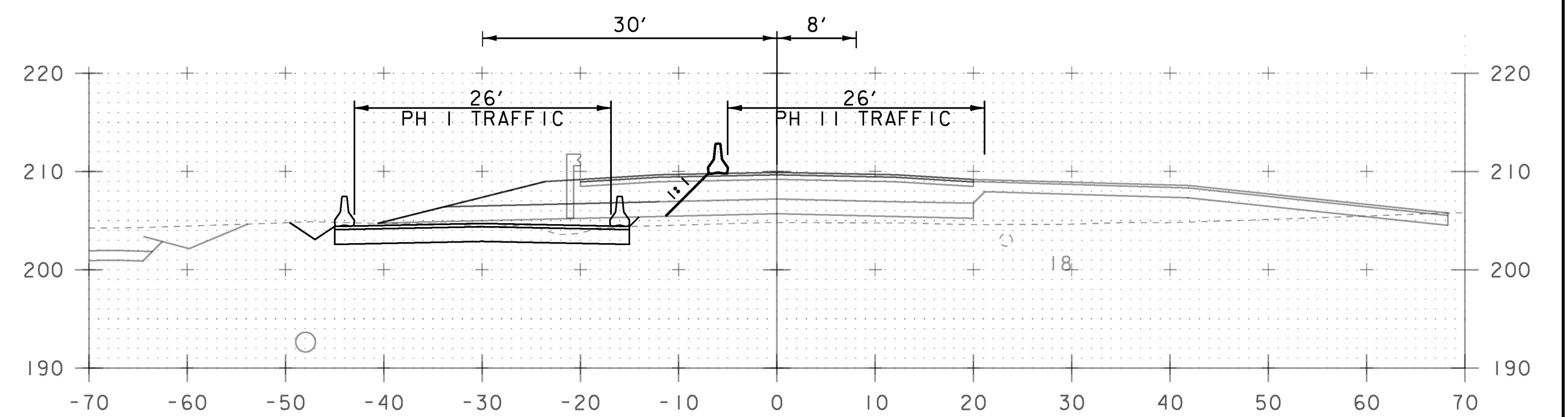
91+00



92+56 DRIVE RT SECTION A-A



92+56 DRIVE RT
(LOWER OLD TOWN TRAIL)



92+50

STA. 91+00 TO STA. 92+56

PROJECT NAME:	CHARLOTTE
PROJECT NUMBER:	F EGC 019-4(20)
FILE NAME:	d78d062_fc_xs.dgn
PROJECT LEADER:	K. UPMAL
DESIGNED BY:	B. KIPP
TRAFFIC CONTROL CROSS SECTIONS 42	
PLOT DATE:	15-MAR-2016
DRAWN BY:	B. KIPP
CHECKED BY:	A. BOMBARDIER
SHEET	458 OF 499