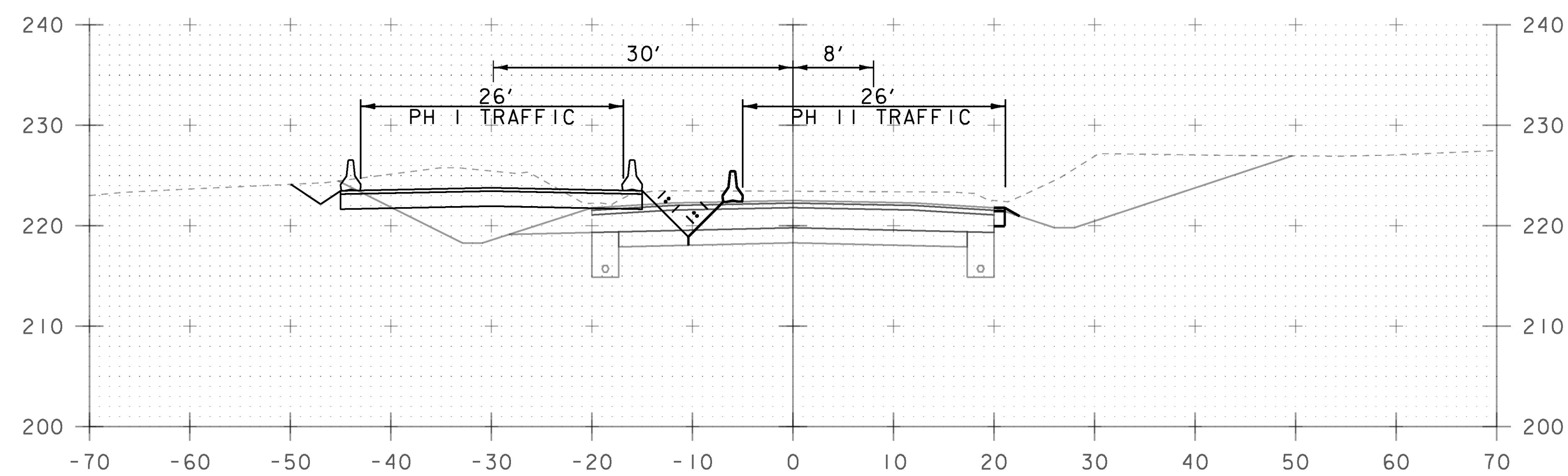
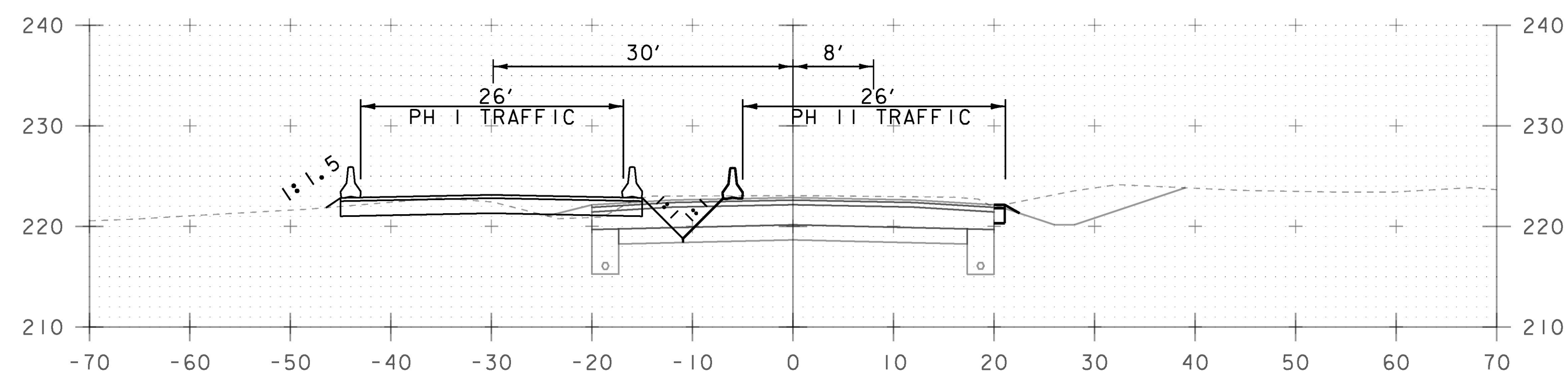


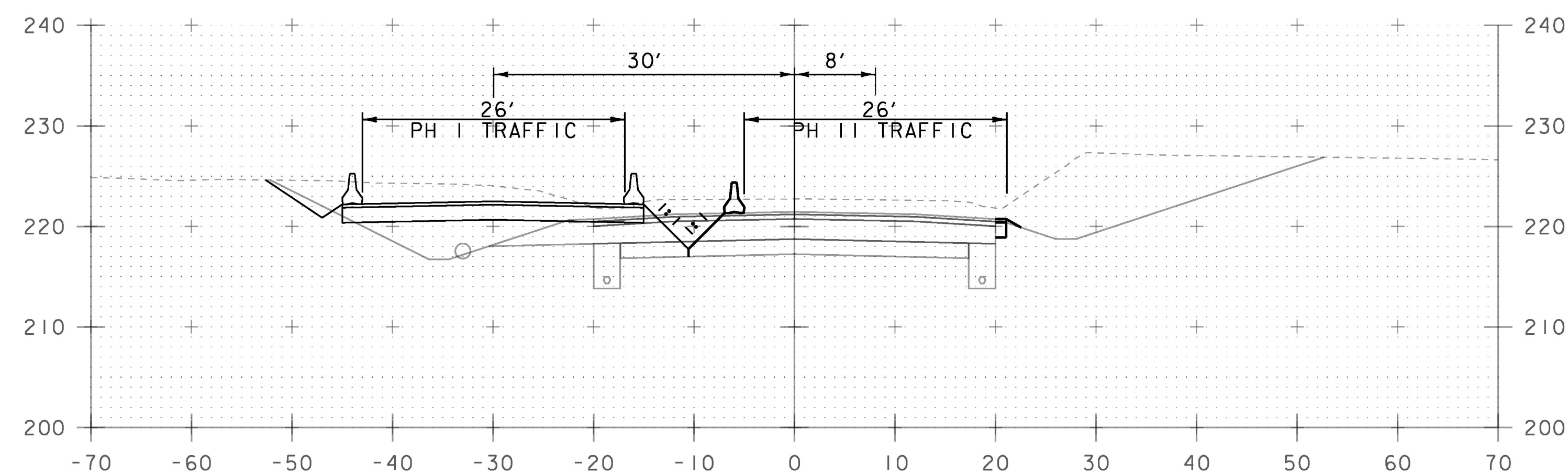
87+00



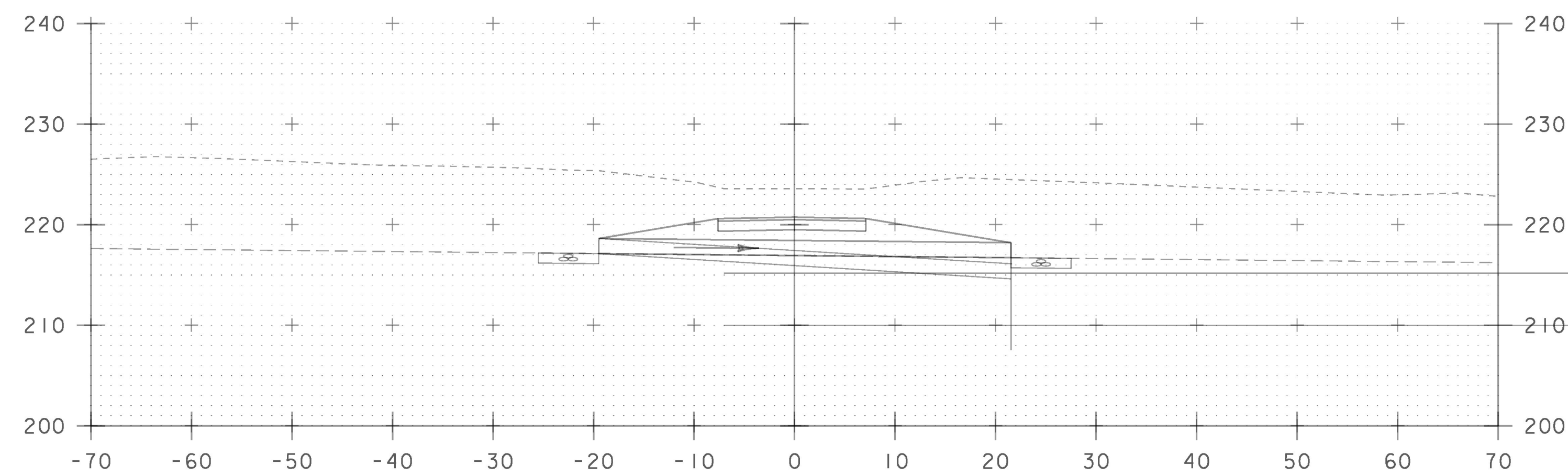
86+50



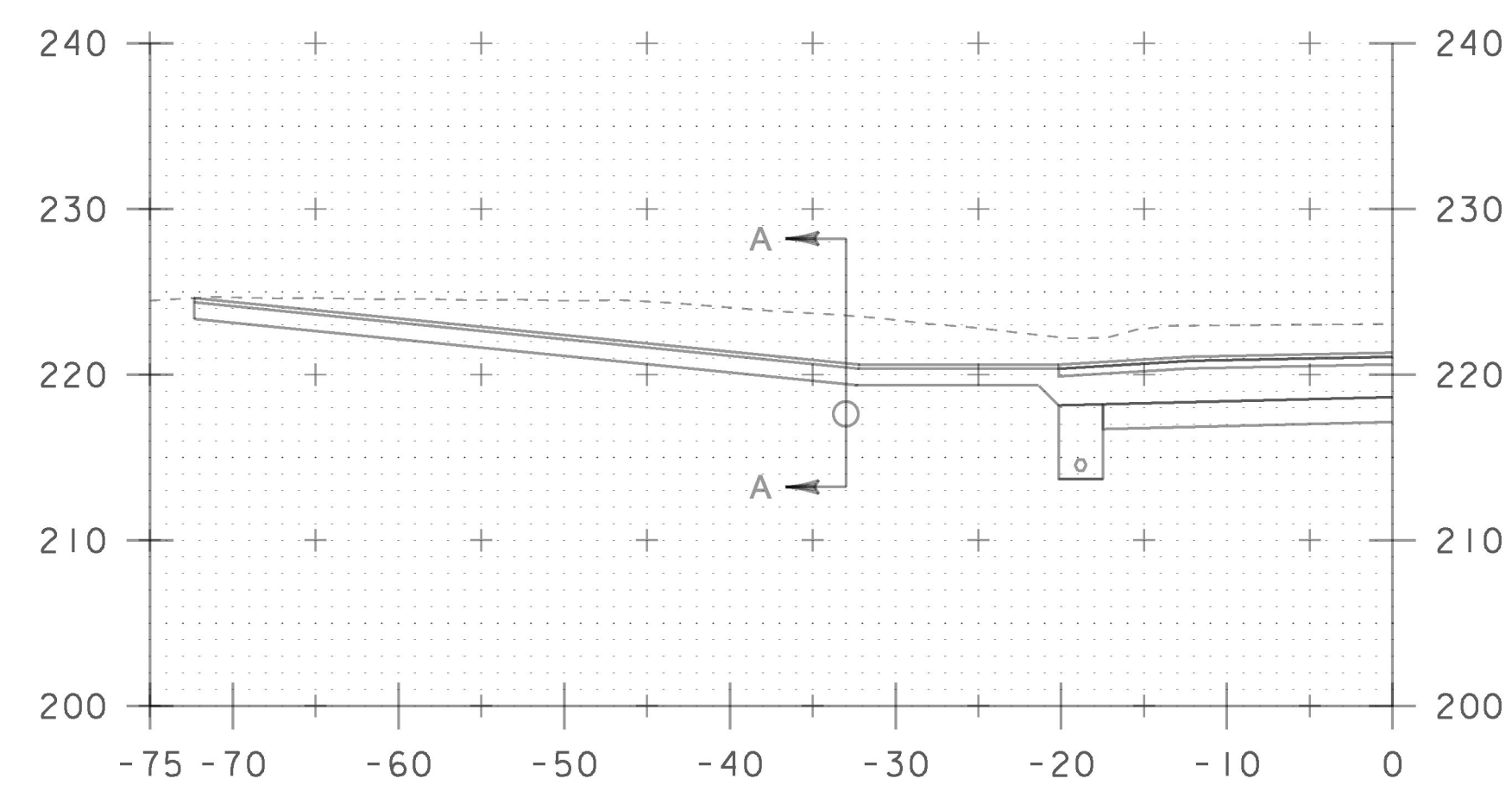
86+00



87+50



87+34 DRIVE LT SECTION A-A



87+34 DRIVE LT
SKEWED 7° 17' 06.72" RT

STA. 86+00 TO STA. 87+50

PROJECT NAME: CHARLOTTE	PLOT DATE: 15-MAR-2016
PROJECT NUMBER: F EGC 019-4(20)	DRAWN BY: B. KIPP
FILE NAME: d78d062_fc_xs.dgn	CHECKED BY: A. BOMBARDIER
PROJECT LEADER: K. UPMAL	SHEET 456 OF 499
DESIGNED BY: B. KIPP	
TRAFFIC CONTROL CROSS SECTIONS 40	