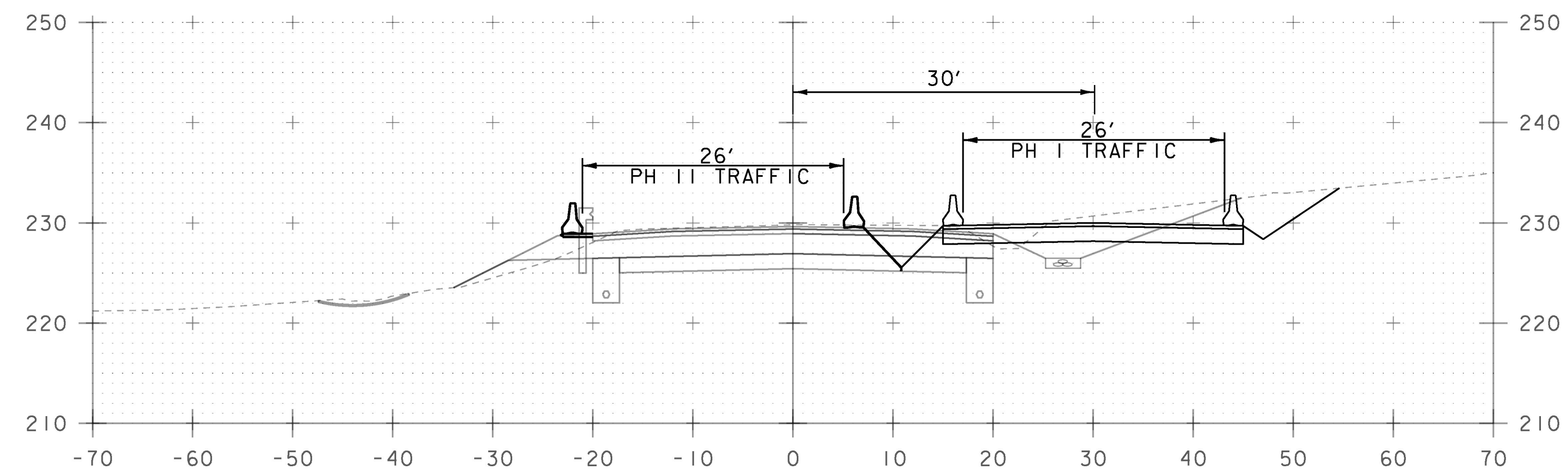
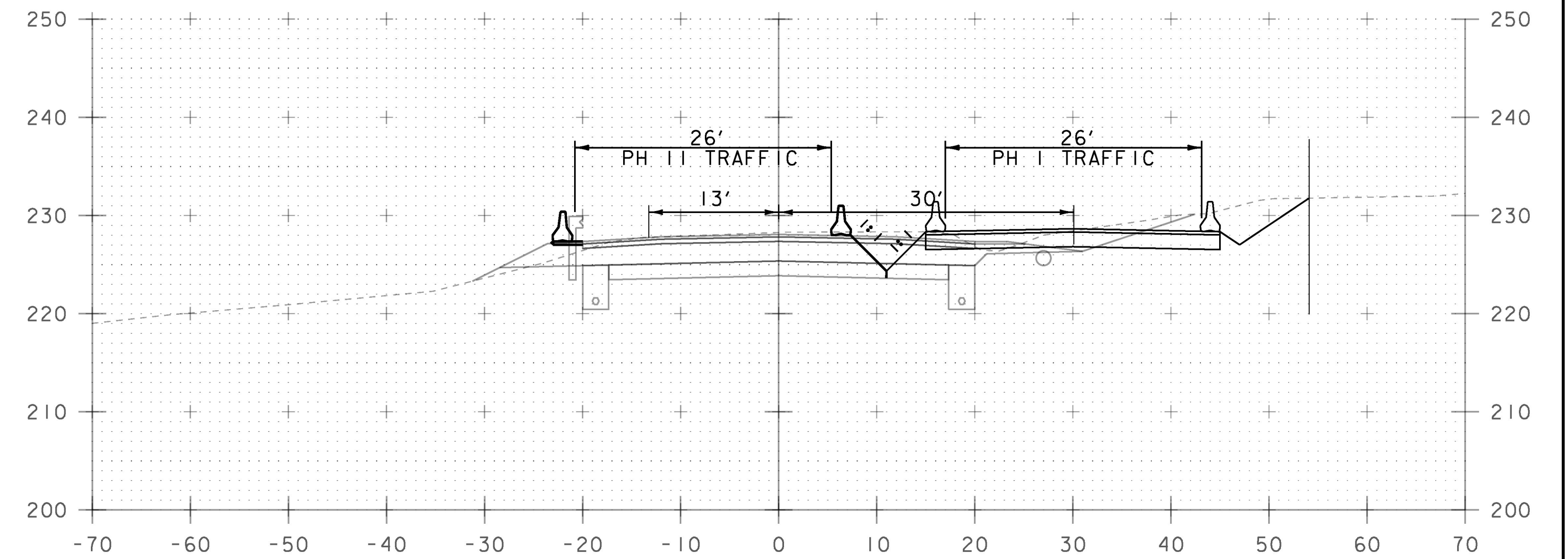


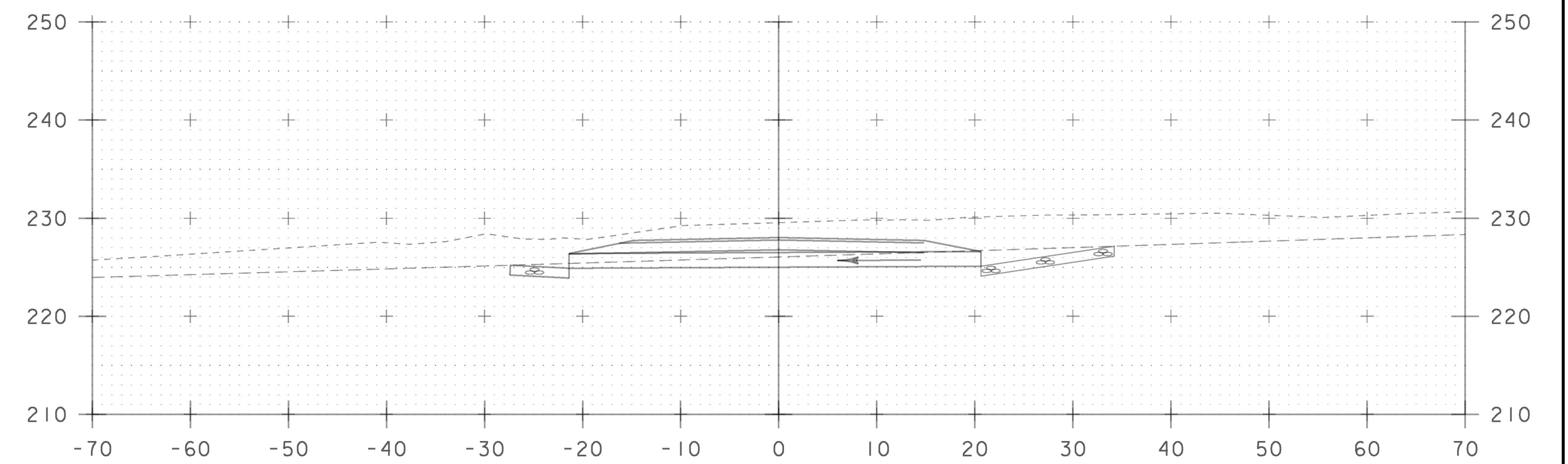
65+81 DRIVE RT



65+50



66+00



65+81 DRIVE RT
SECTION A-A

STA. 65+50 TO STA. 66+00

PROJECT NAME:	CHARLOTTE	PLOT DATE:	15-MAR-2016
PROJECT NUMBER:	F EGC 019-4(20)	DRAWN BY:	B. KIPP
FILE NAME:	d78d062_fc_xs.dgn	DESIGNED BY:	B. KIPP
PROJECT LEADER:	K. UPMAL	CHECKED BY:	A. BOMBARDIER
TRAFFIC CONTROL CROSS SECTIONS 32		SHEET	448 OF 499