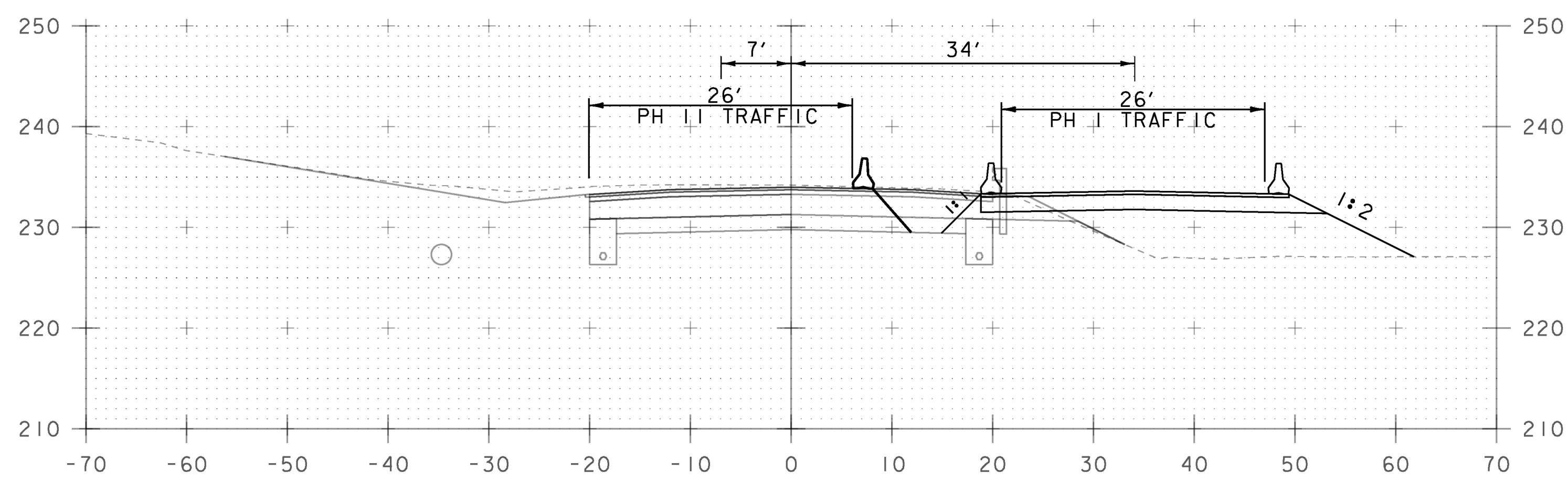
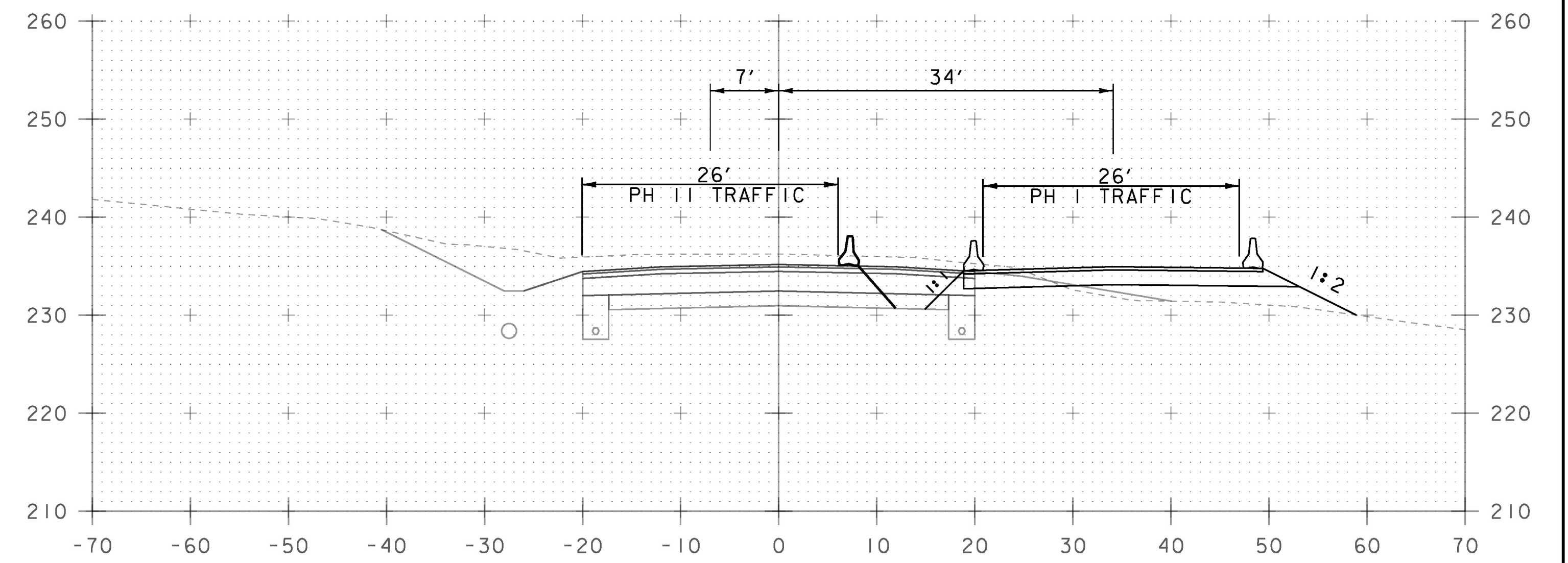


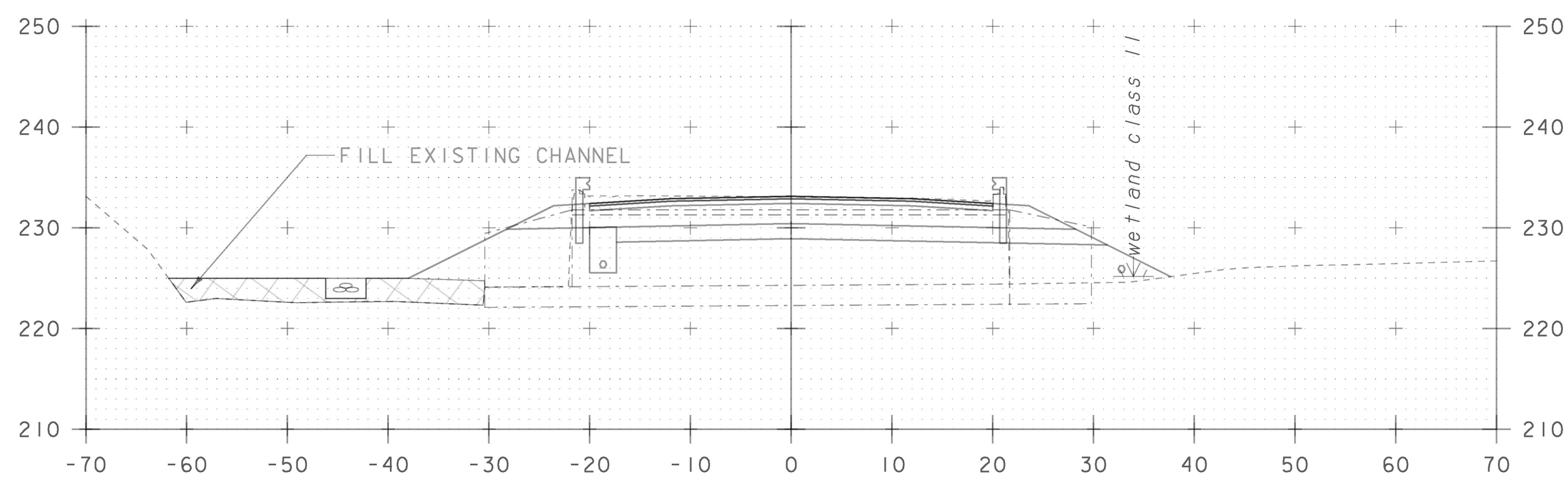
45+20 DRIVE LT



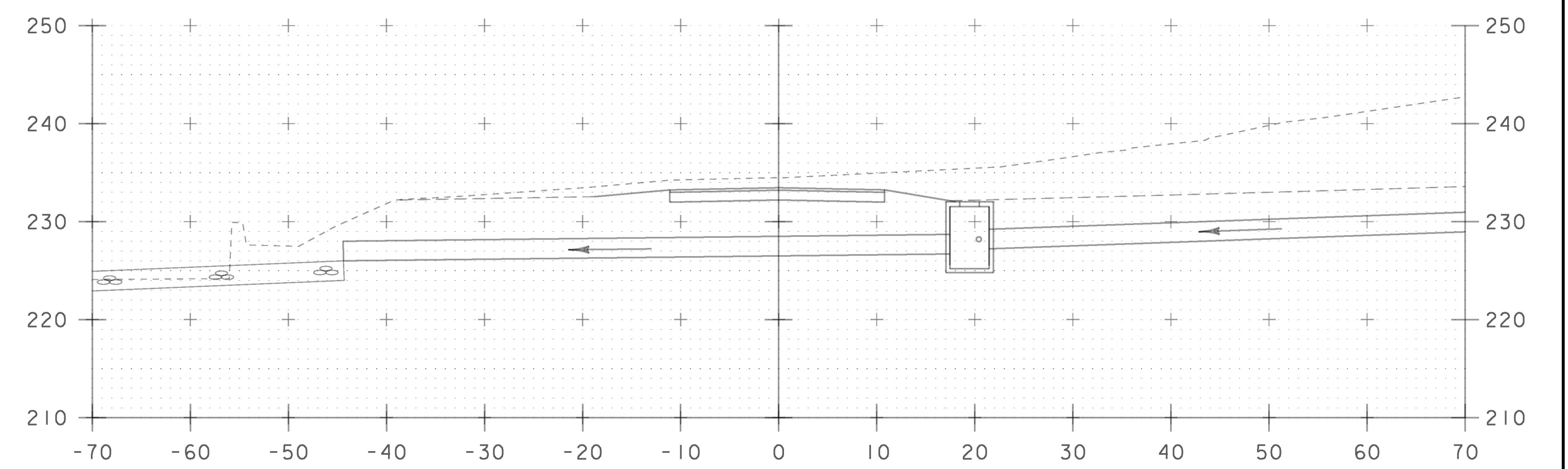
45+00



45+50



44+54



45+20 DRIVE LT
SECTION A-A

PROJECT NAME:	CHARLOTTE
PROJECT NUMBER:	F EGC 019-4(20)
FILE NAME:	d78d062_fc_xs.dgn
PROJECT LEADER:	K. UPMAL
DESIGNED BY:	B. KIPP
TRAFFIC CONTROL CROSS SECTIONS 21	
PLOT DATE:	15-MAR-2016
DRAWN BY:	B. KIPP
CHECKED BY:	A. BOMBARDIER
	SHEET 438 OF 499

STA. 44+54 TO STA. 44+50