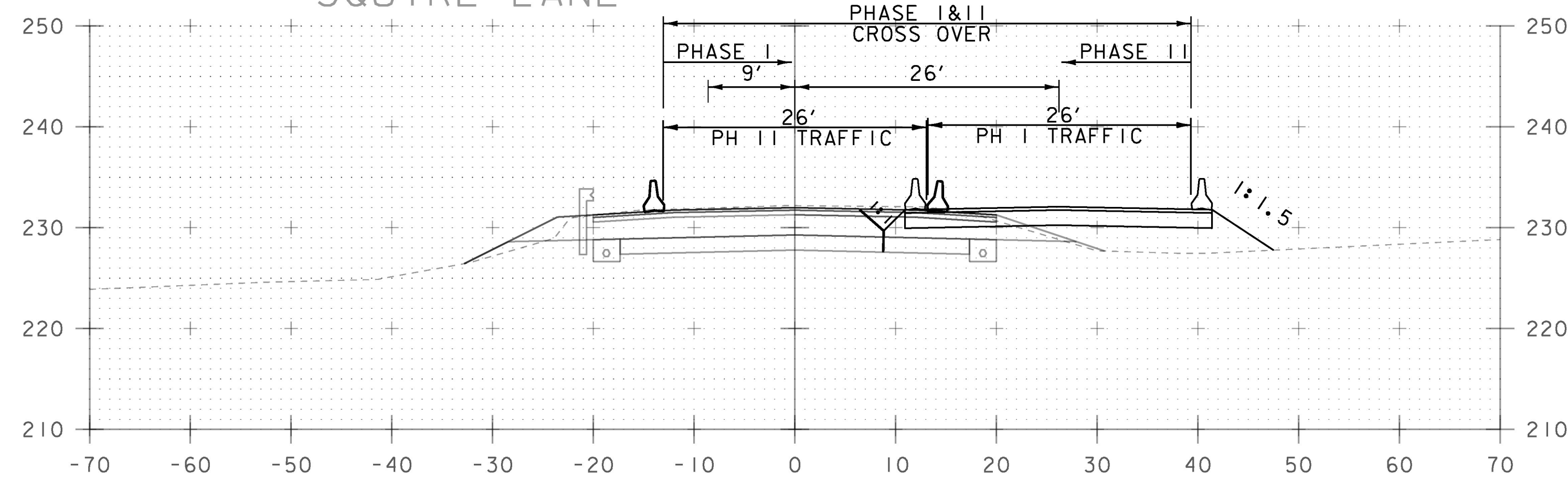
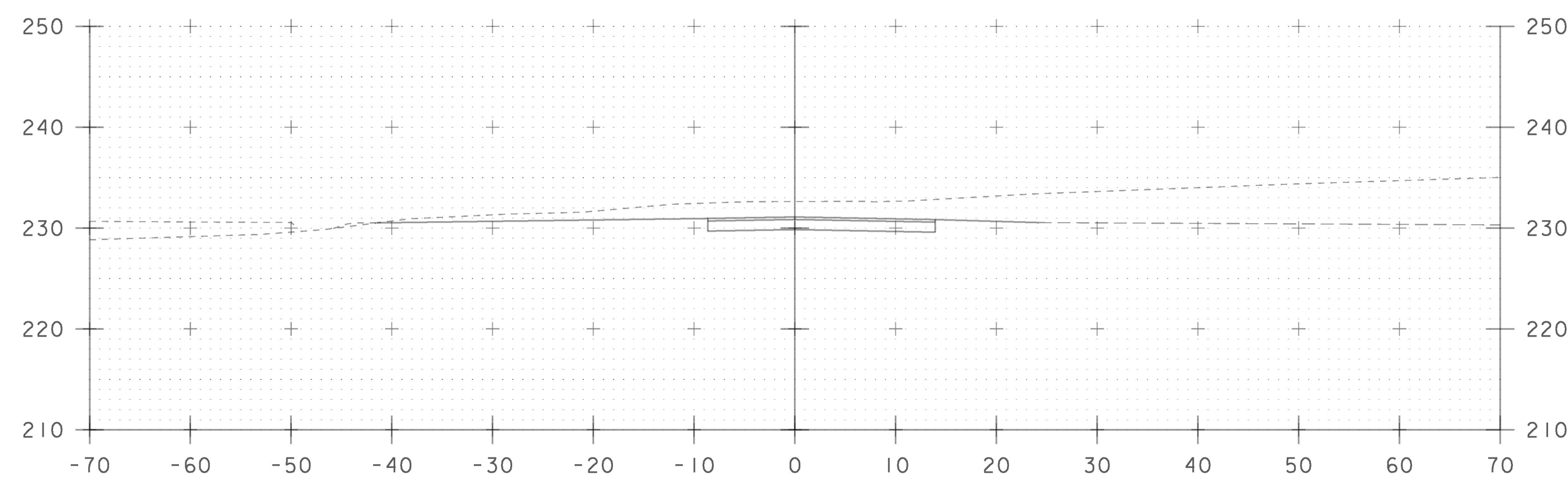


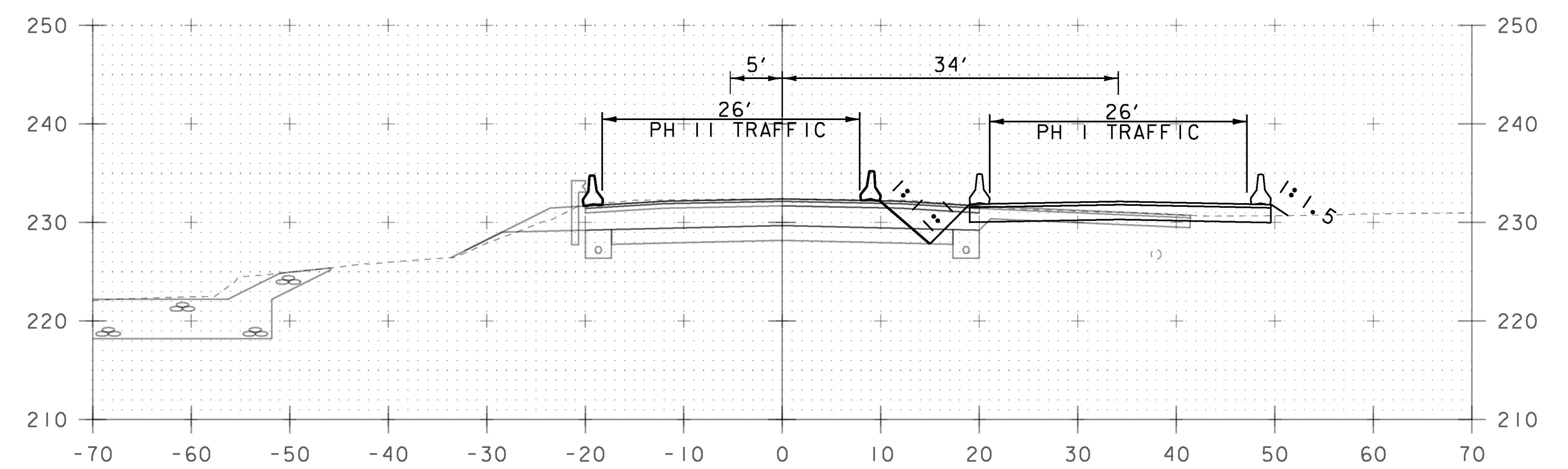
43+93 DRIVE RT
SQUIRE LANE



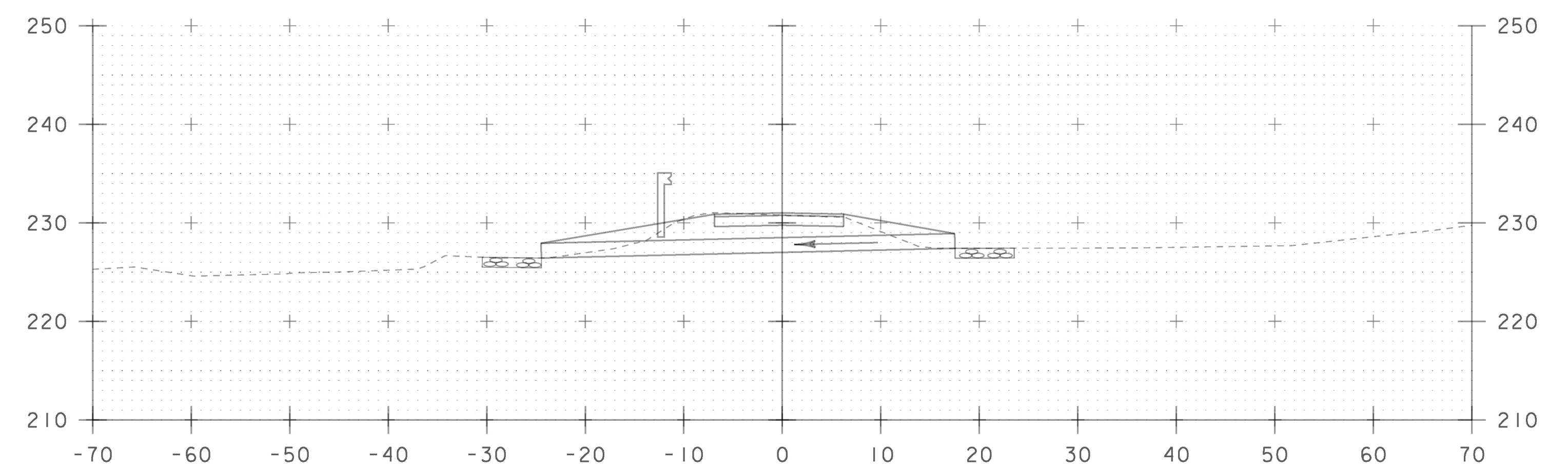
43+50



43+04 DRIVE RT
SECTION A-A



44+00



43+93 DRIVE RT SECTION A-A
SQUIRE LANE

STA. 43+04 TO STA. 44+00

PROJECT NAME:	CHARLOTTE
PROJECT NUMBER:	F EGC 019-4(20)
FILE NAME:	d78d062_fc_xs.dgn
PROJECT LEADER:	K. UPMAL
DESIGNED BY:	B. KIPP
TRAFFIC CONTROL CROSS SECTIONS 20	
PLOT DATE:	15-MAR-2016
DRAWN BY:	B. KIPP
CHECKED BY:	A. BOMBARDIER
	SHEET 437 OF 499