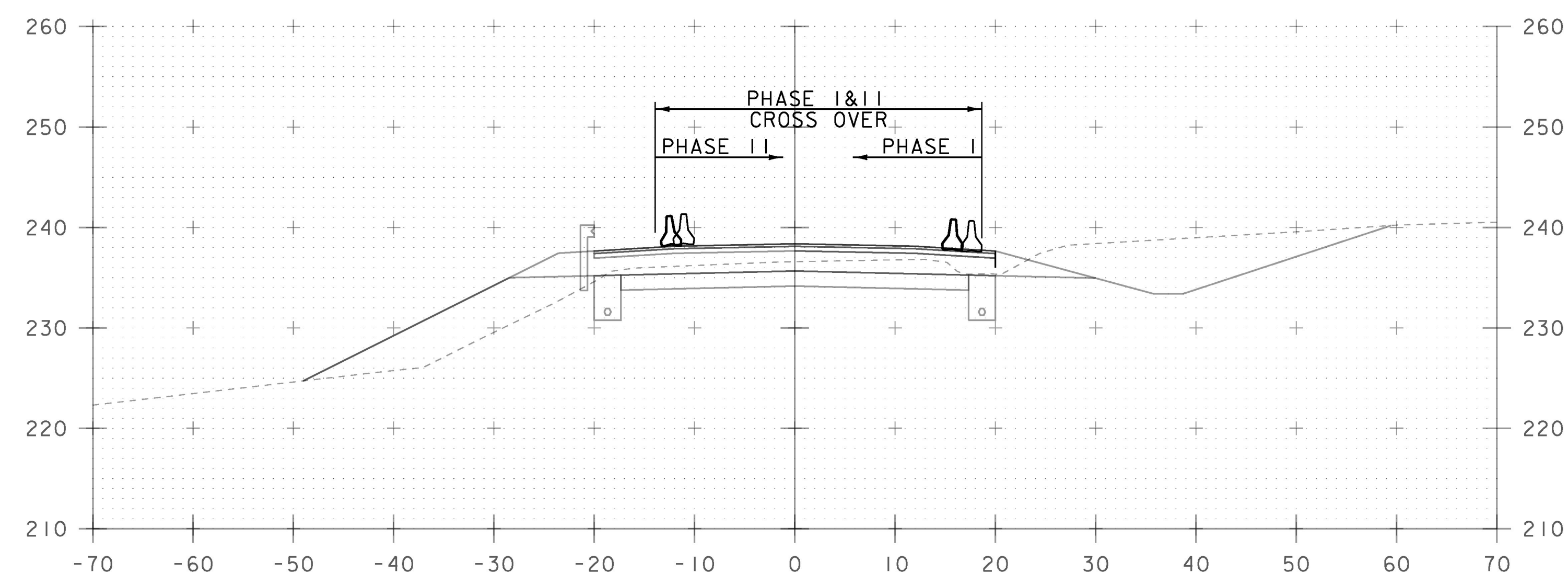
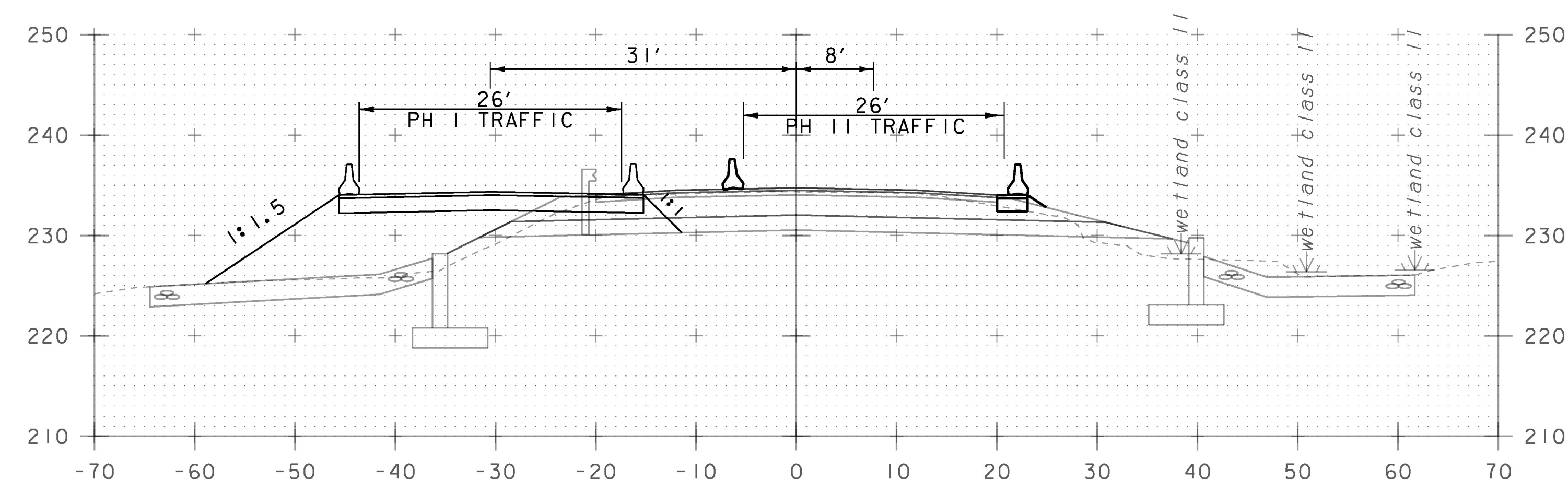


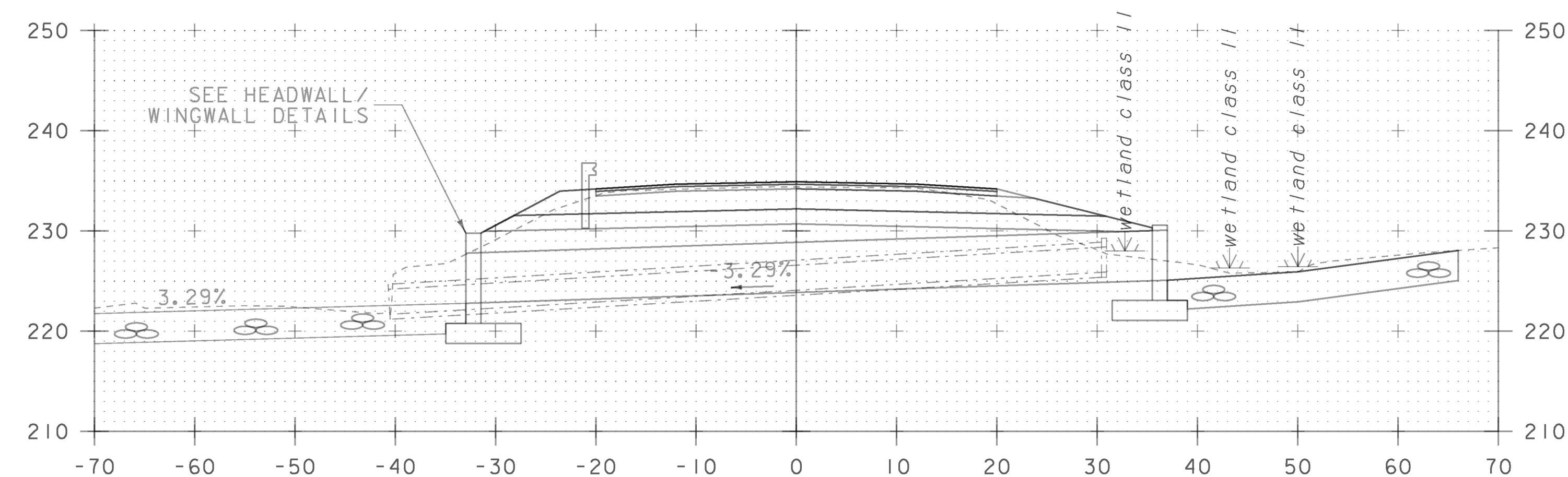
39+50



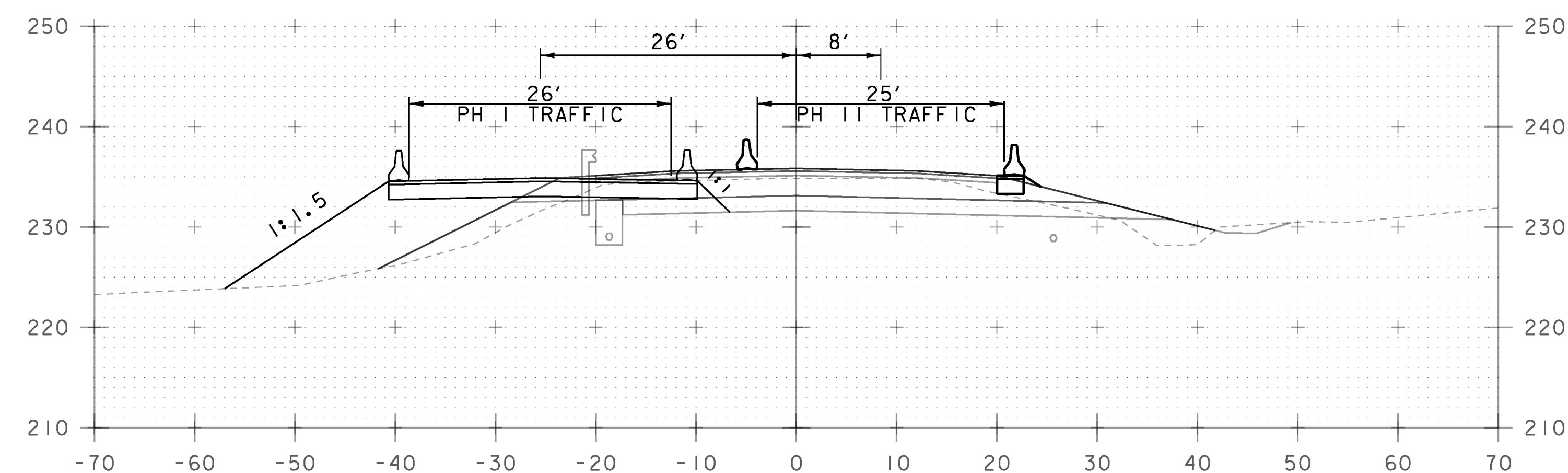
39+00



40+50



40+42  
NEW 60" CPEP



40+00

STA. 39+00 TO STA. 40+50

PROJECT NAME:	CHARLOTTE
PROJECT NUMBER:	F EGC 019-4(20)
FILE NAME:	d78d062_fc_xs.dgn
PROJECT LEADER:	K. UPMAL
DESIGNED BY:	B. KIPP
TRAFFIC CONTROL CROSS SECTIONS 17	
PLOT DATE:	15-MAR-2016
DRAWN BY:	B. KIPP
CHECKED BY:	A. BOMBARDIER
	SHEET 434 OF 499