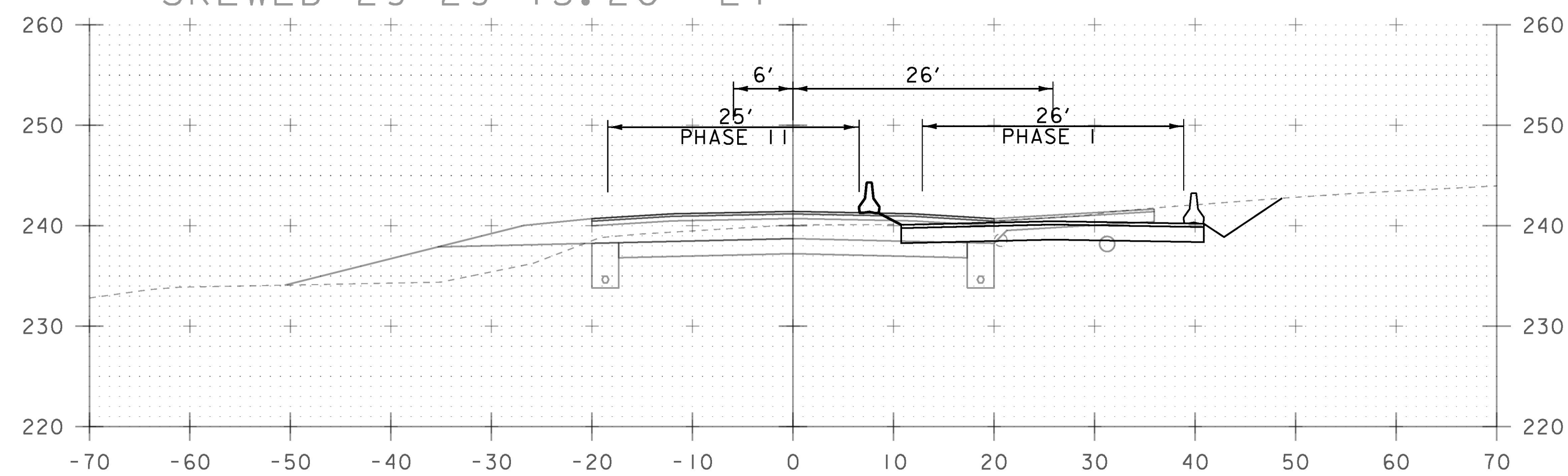
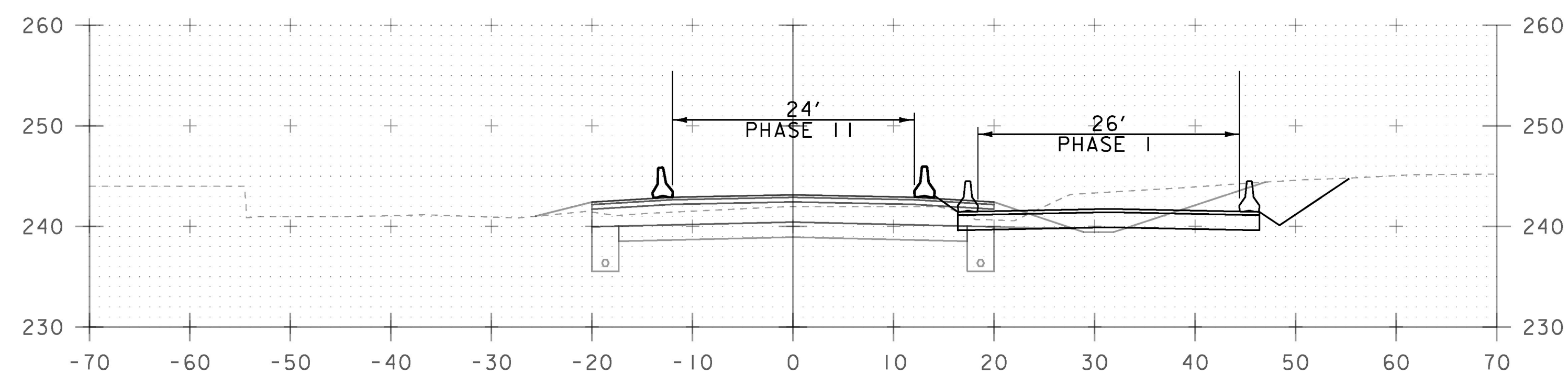


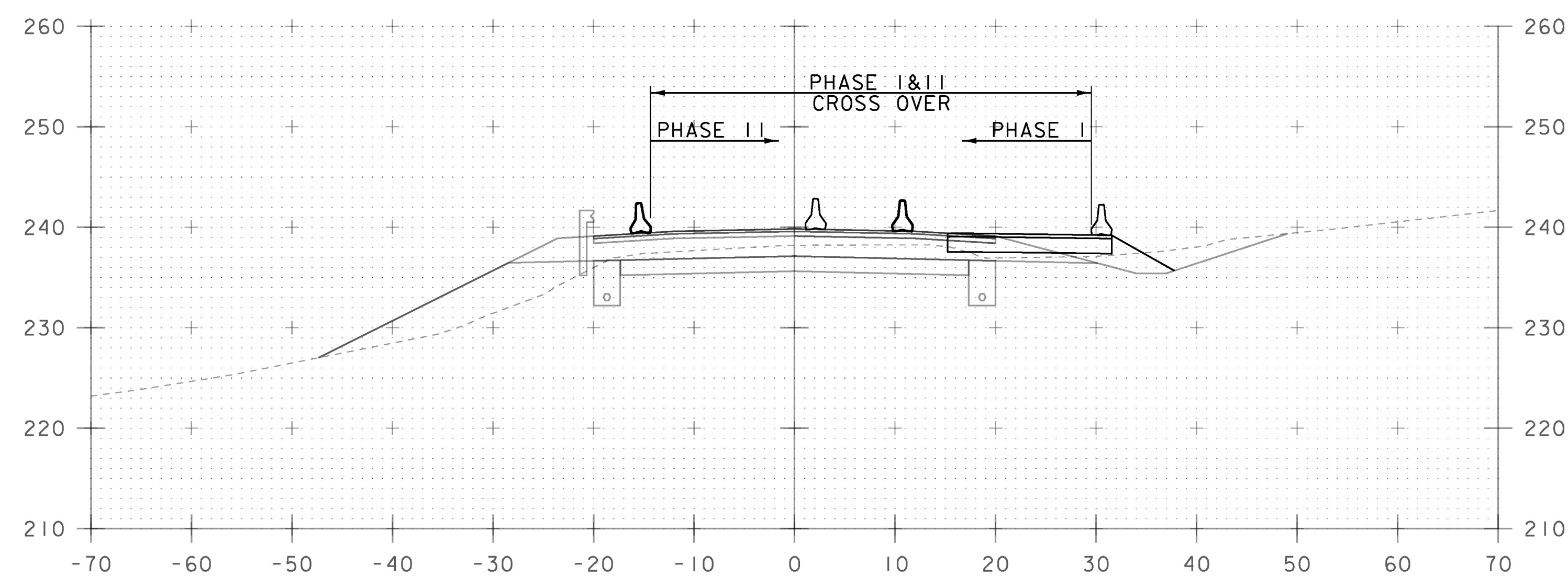
38+10 DRIVE RT
SKEWED 29° 29' 13.20" LT



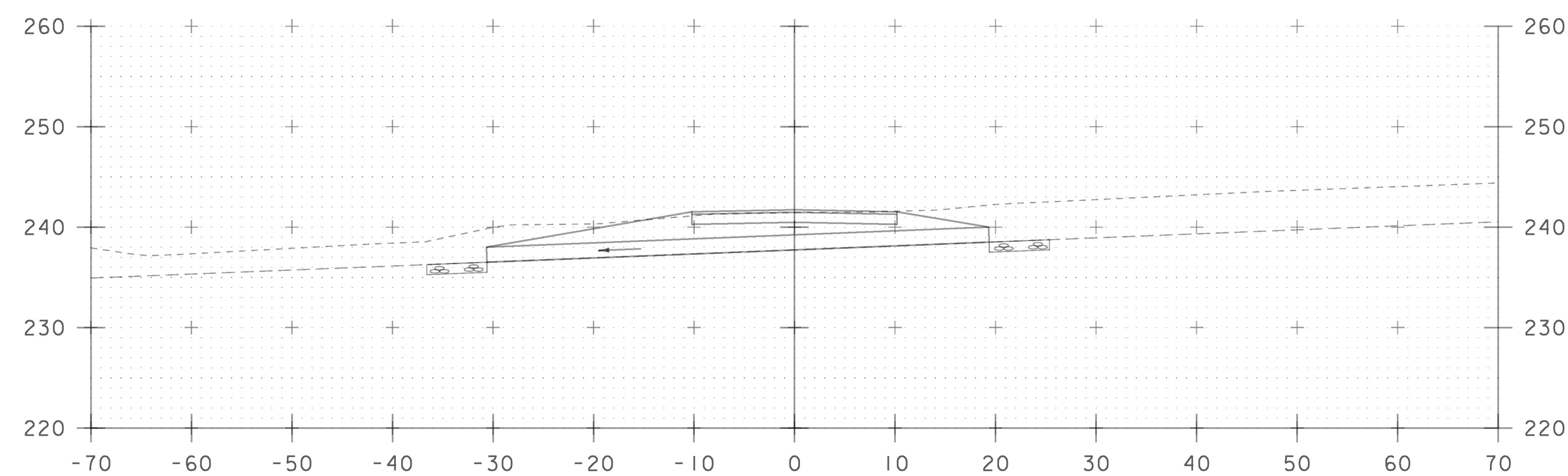
38+00



37+50



38+50



38+10 DRIVE RT SECTION A-A

STA. 37+50 TO STA. 38+50

PROJECT NAME: CHARLOTTE	PLOT DATE: 15-MAR-2016
PROJECT NUMBER: F EGC 019-4(20)	DRAWN BY: B. KIPP
FILE NAME: d78d062_fc_xs.dgn	CHECKED BY: A. BOMBARDIER
PROJECT LEADER: K. UPMAL	SHEET 433 OF 499
DESIGNED BY: B. KIPP	
TRAFFIC CONTROL CROSS SECTIONS 16	