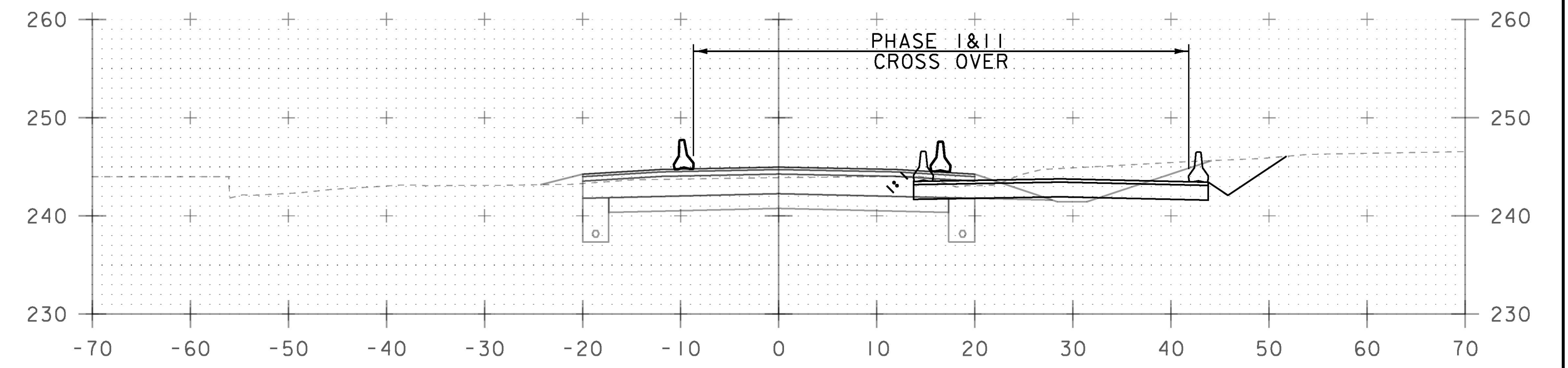
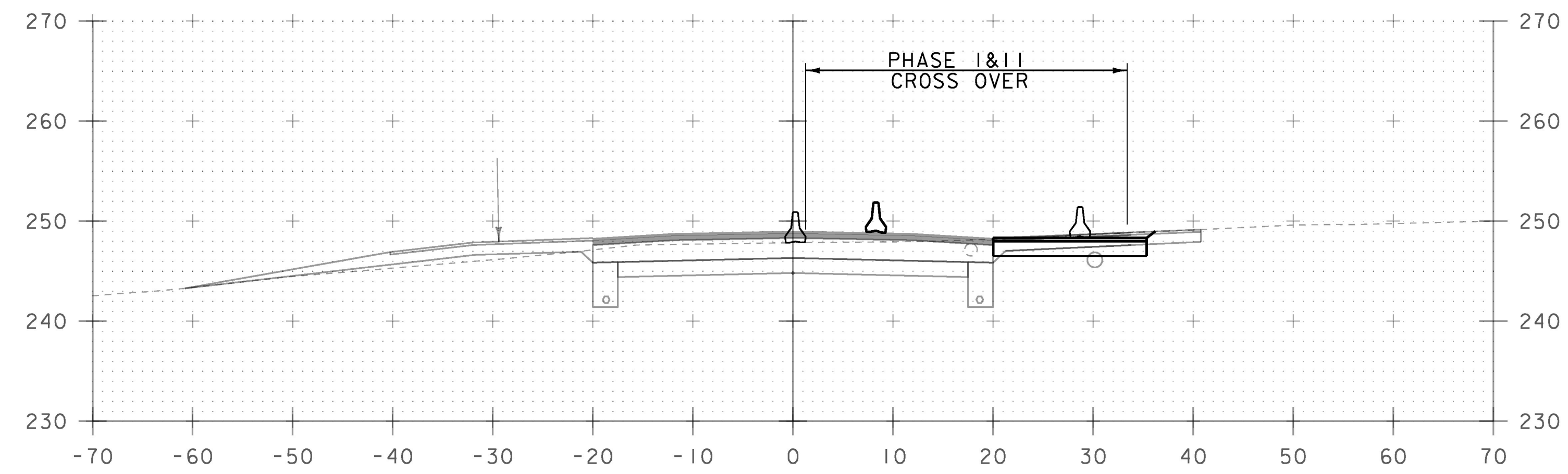


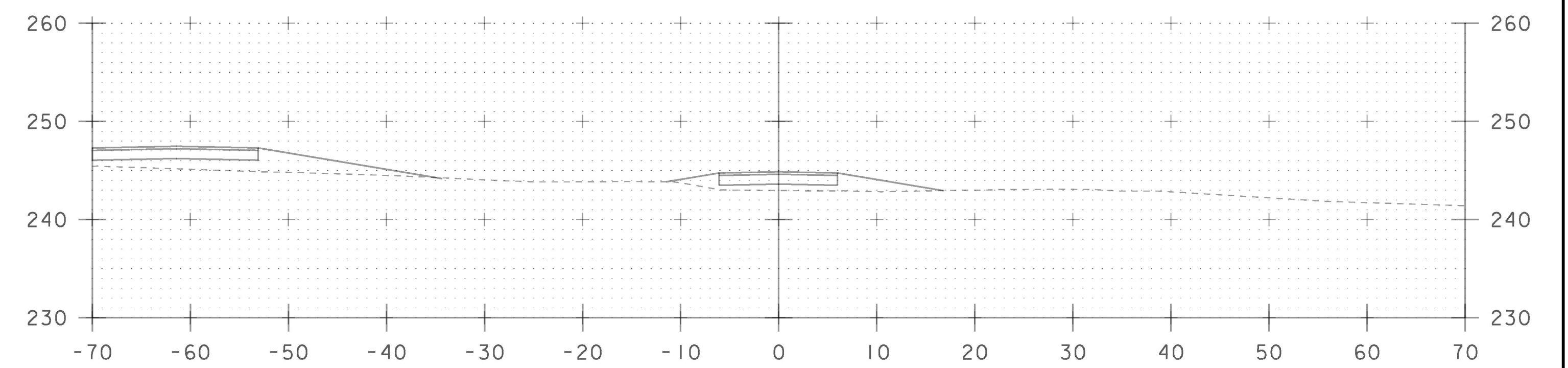
36+50



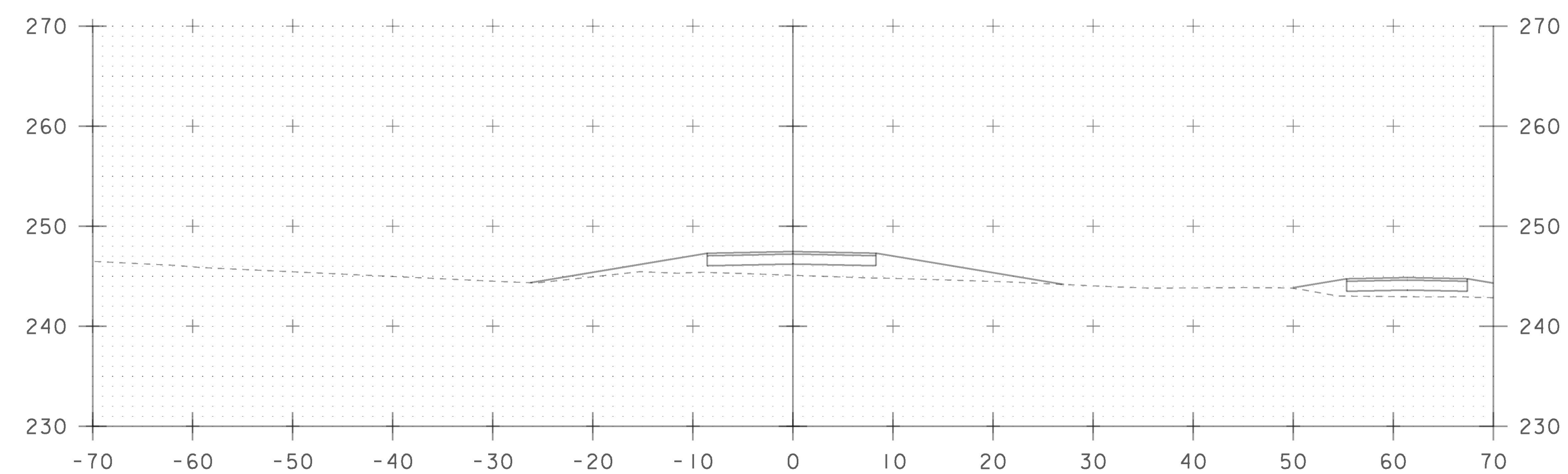
37+00



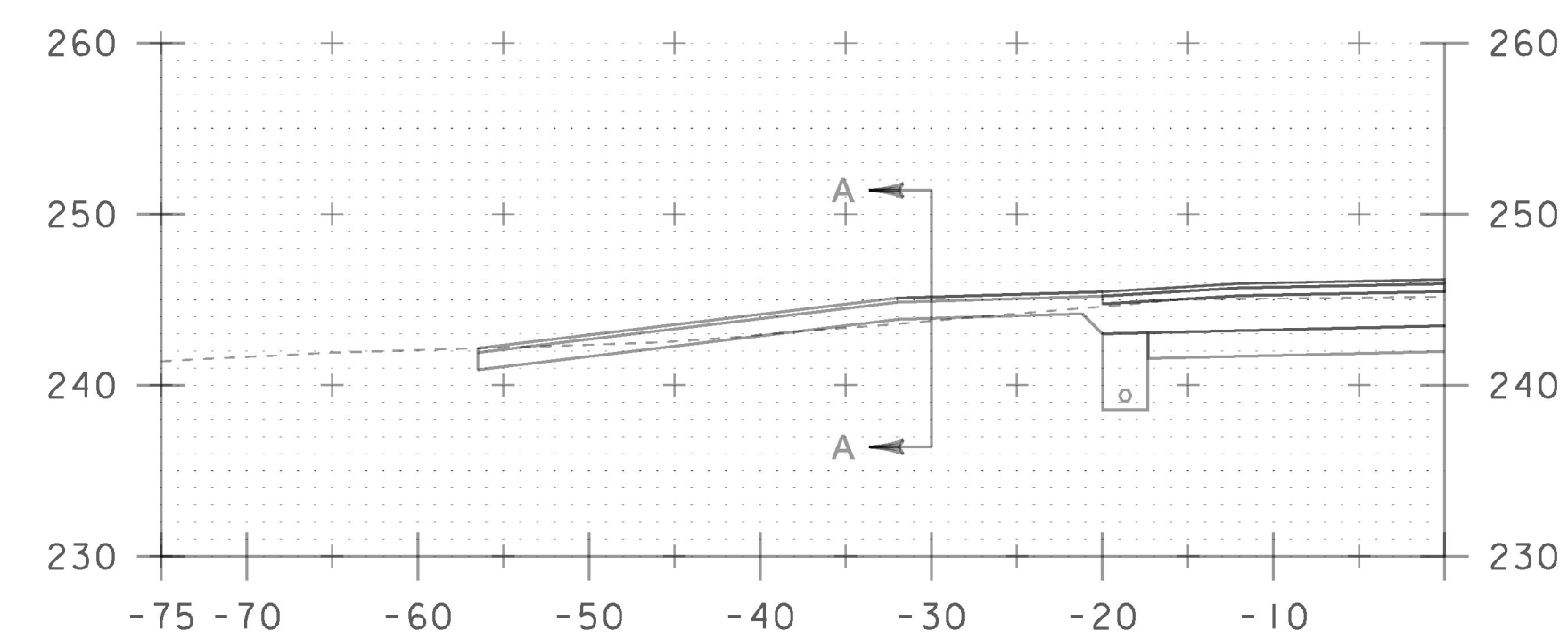
36+00



36+70 DRIVE LT SECTION A-A



36+00 DRIVE SECTION A-A



36+70 DRIVE LT

STA. 36+00 TO STA. 37+00

PROJECT NAME:	CHARLOTTE	PLOT DATE:	15-MAR-2016
PROJECT NUMBER:	F EGC 019-4(20)	DRAWN BY:	B. KIPP
FILE NAME:	d78d062_fc_xs.dgn	CHECKED BY:	A. BOMBARDIER
PROJECT LEADER:	K. UPMAL	SHEET	432 OF 499
DESIGNED BY:	B. KIPP	TRAFFIC CONTROL CROSS SECTIONS	15