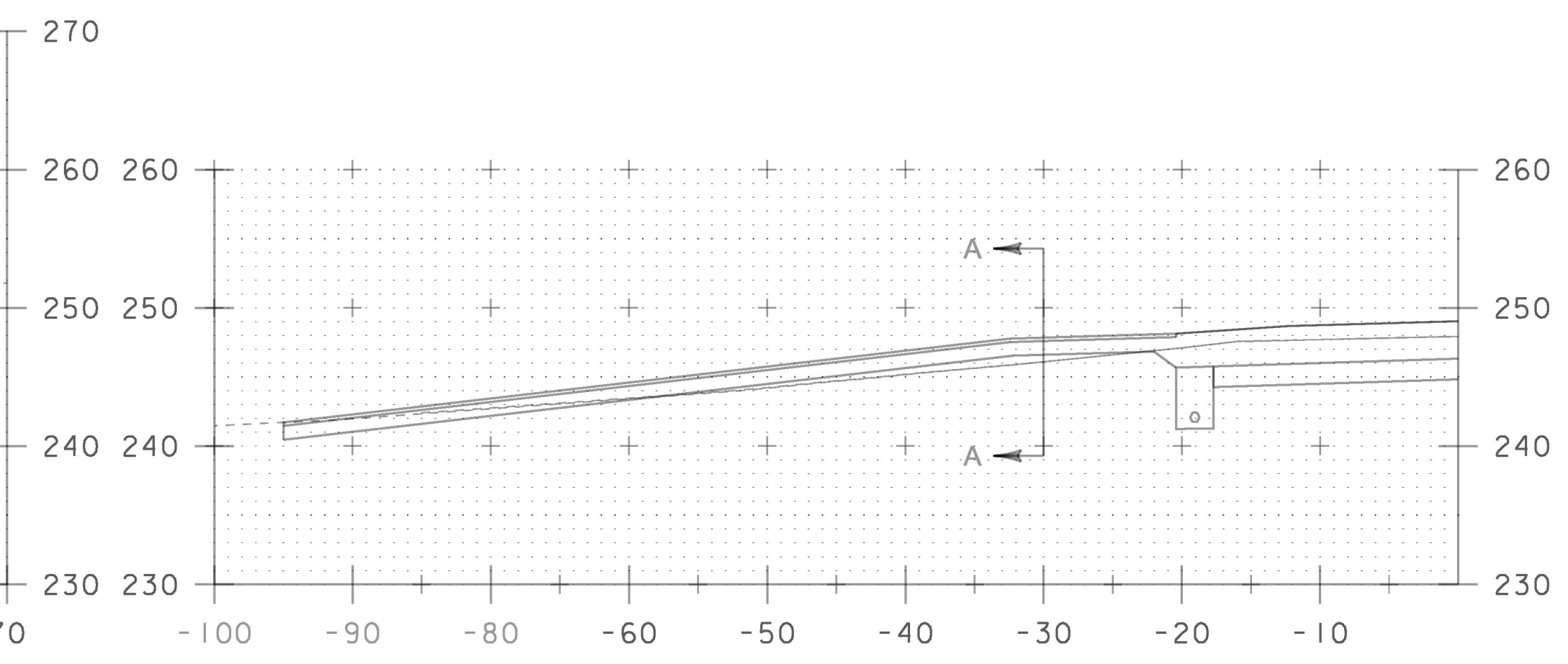
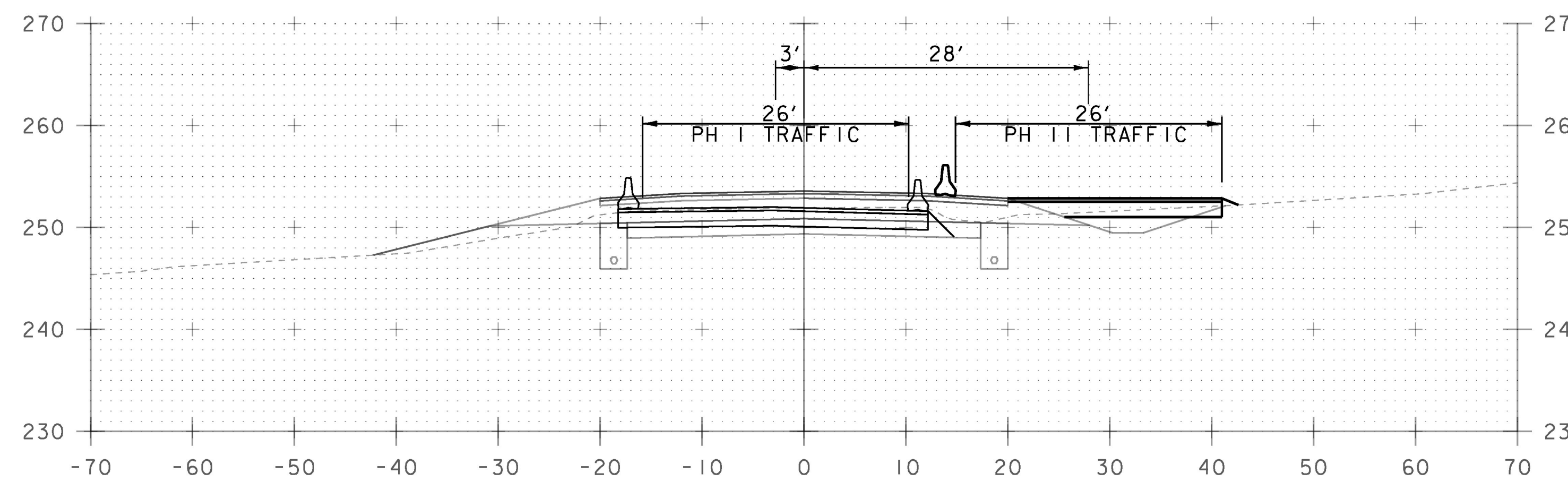


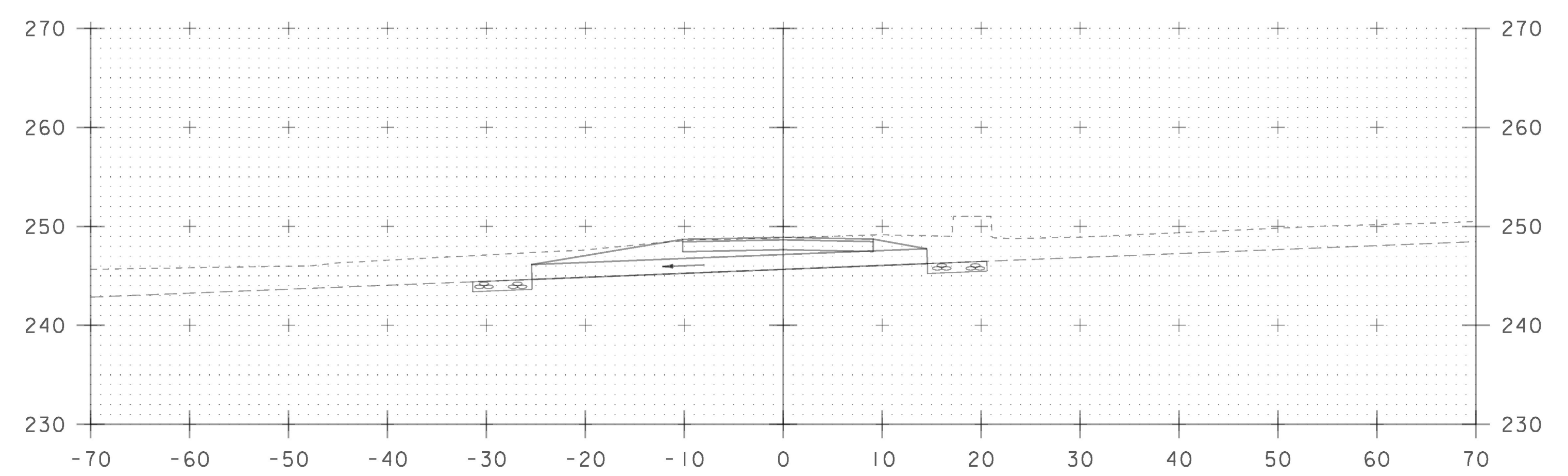
35+50



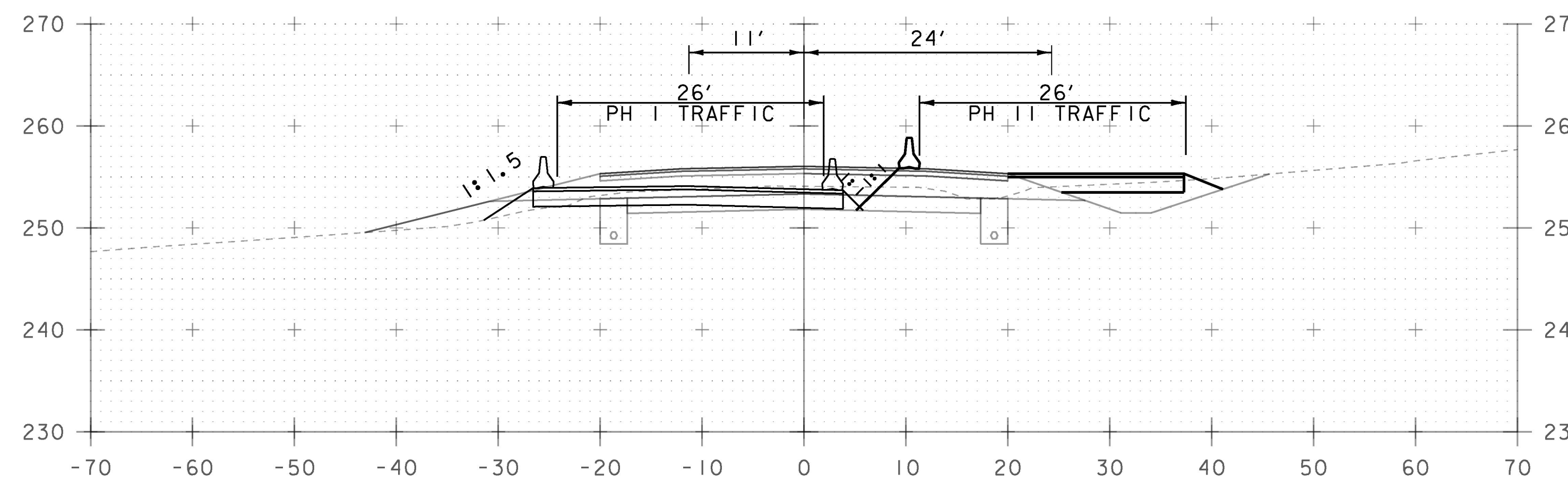
36+00 DRIVE LT  
SKEWED 11° 44' 25.08 LT



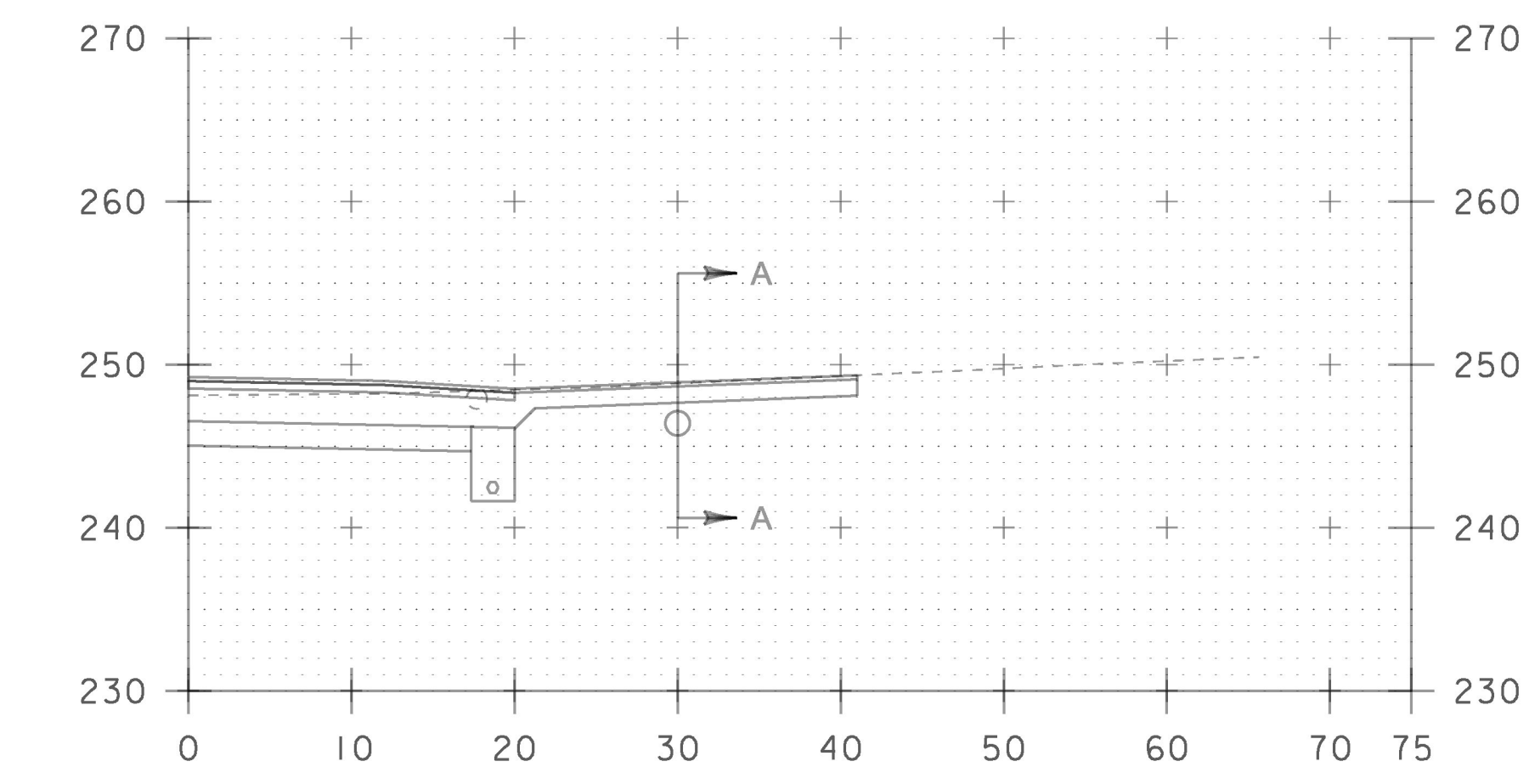
35+00



35+95 DRIVE RT SECTION A-A



34+50



35+95 DRIVE RT

STA. 34+50 TO STA. 36+00

PROJECT NAME:	CHARLOTTE
PROJECT NUMBER:	F EGC 019-4(20)
FILE NAME:	d78d062_fc_xs.dgn
PROJECT LEADER:	K. UPMAL
DESIGNED BY:	B. KIPP
TRAFFIC CONTROL CROSS SECTIONS 14	
PLOT DATE:	15-MAR-2016
DRAWN BY:	B. KIPP
CHECKED BY:	A. BOMBARDIER
SHEET	431 OF 499