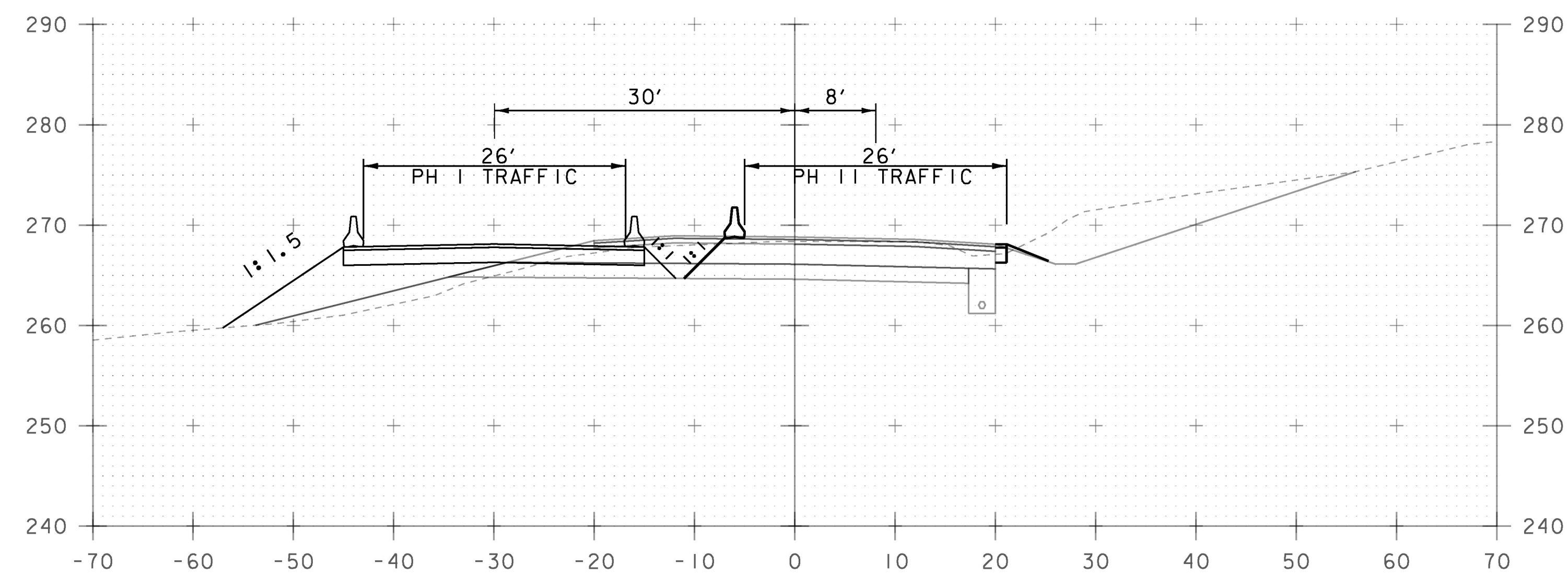
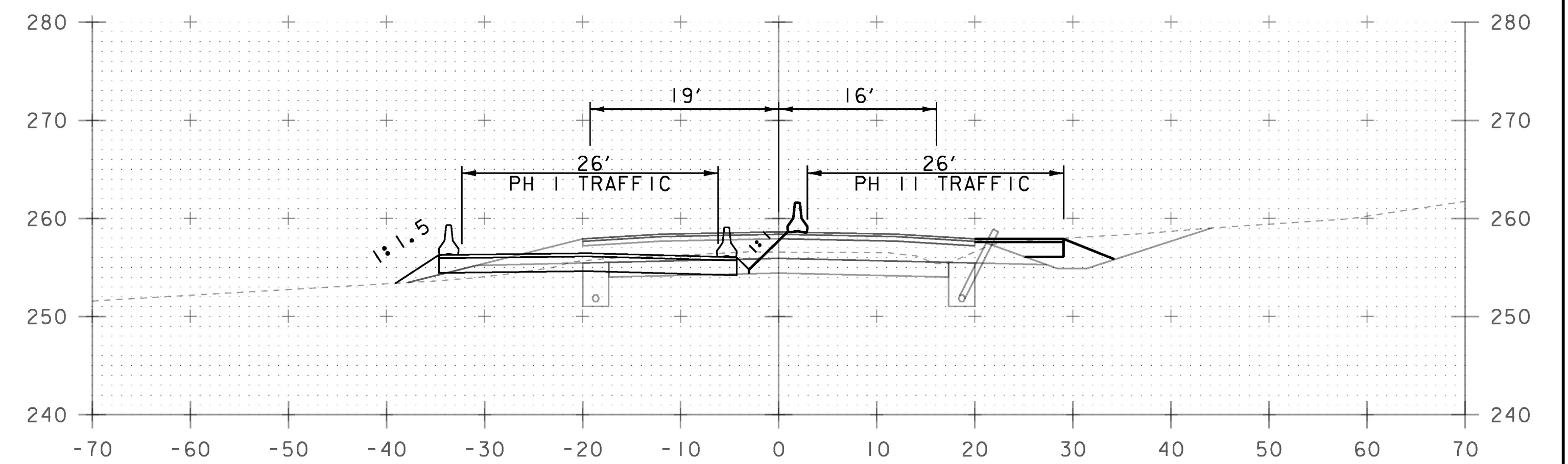


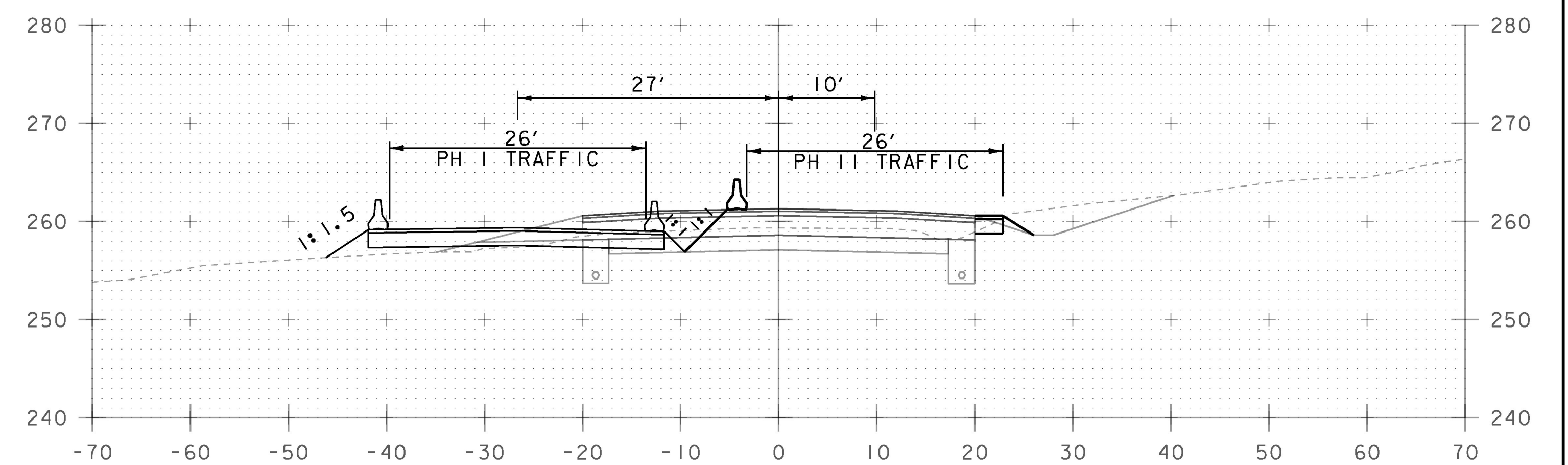
32+50



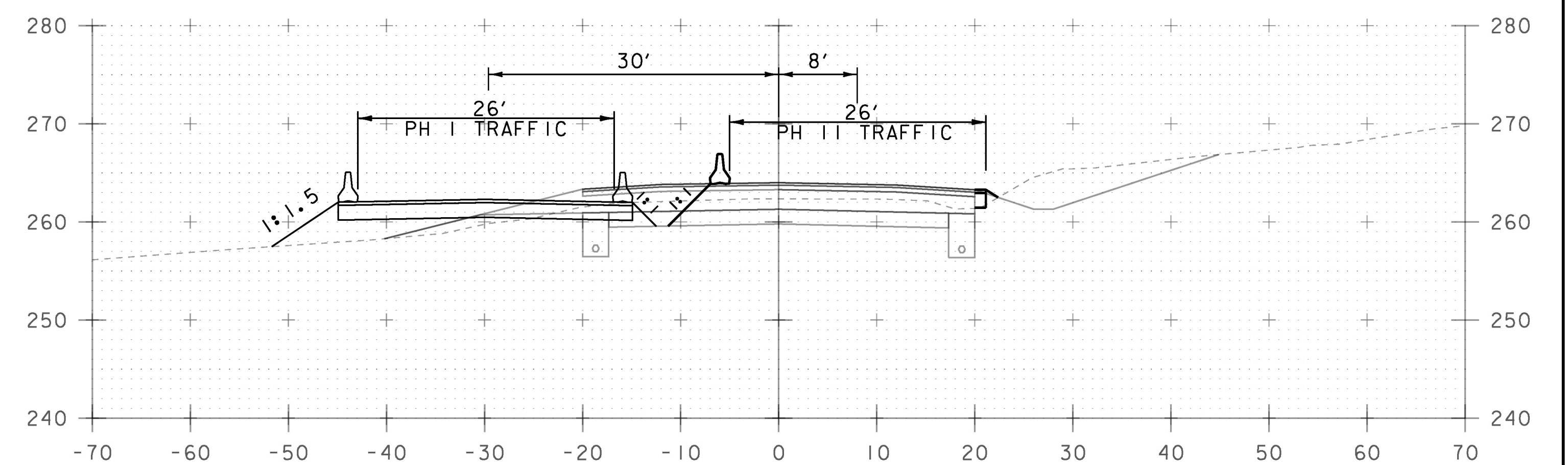
32+00



34+00



33+50



33+00

STA. 32+00 TO STA. 34+00

PROJECT NAME:	CHARLOTTE
PROJECT NUMBER:	F EGC 019-4(20)
FILE NAME:	d78d062_fc_xs.dgn
PROJECT LEADER:	K. UPMAL
DESIGNED BY:	B. KIPP
TRAFFIC CONTROL CROSS SECTIONS I3	
PLOT DATE:	15-MAR-2016
DRAWN BY:	B. KIPP
CHECKED BY:	A. BOMBARDIER
SHEET	430 OF 499