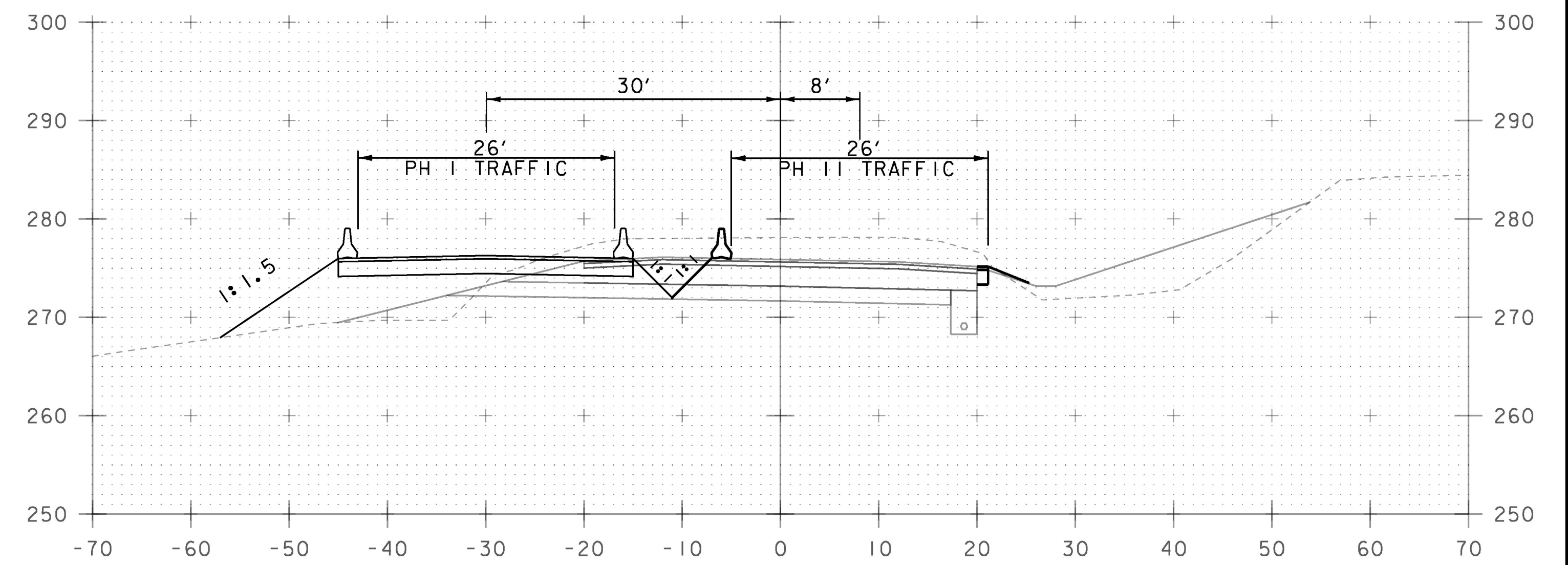
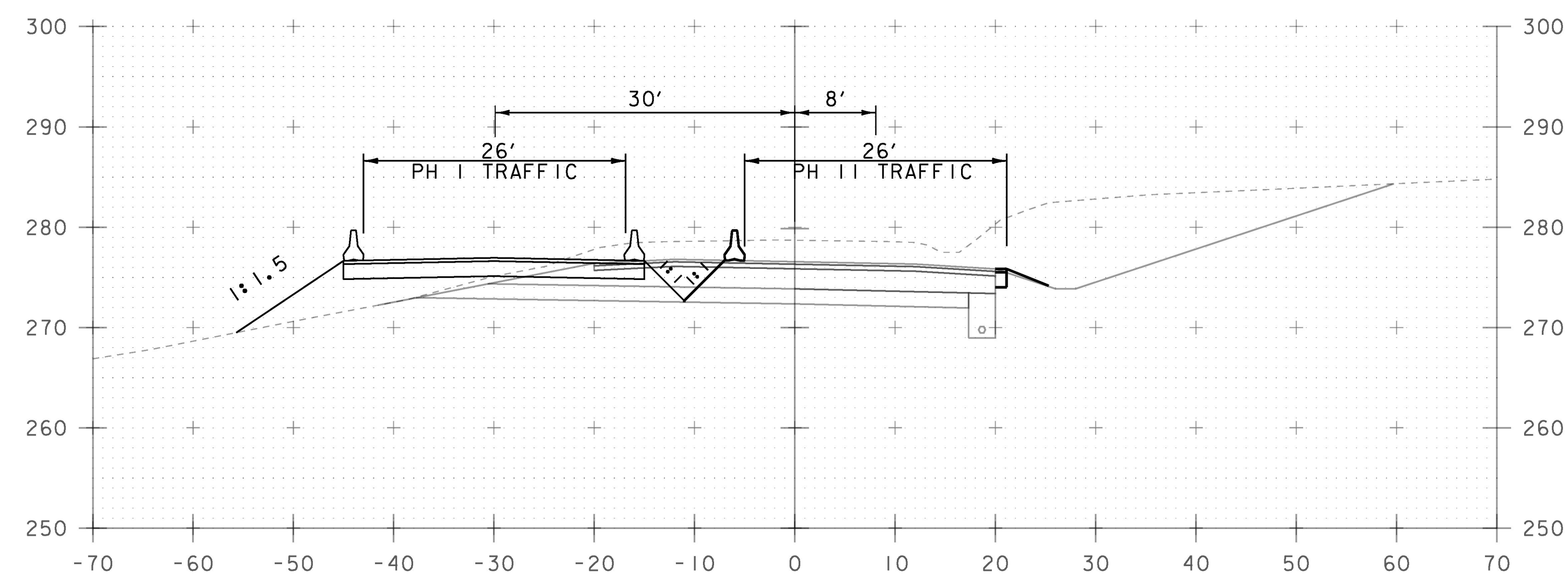


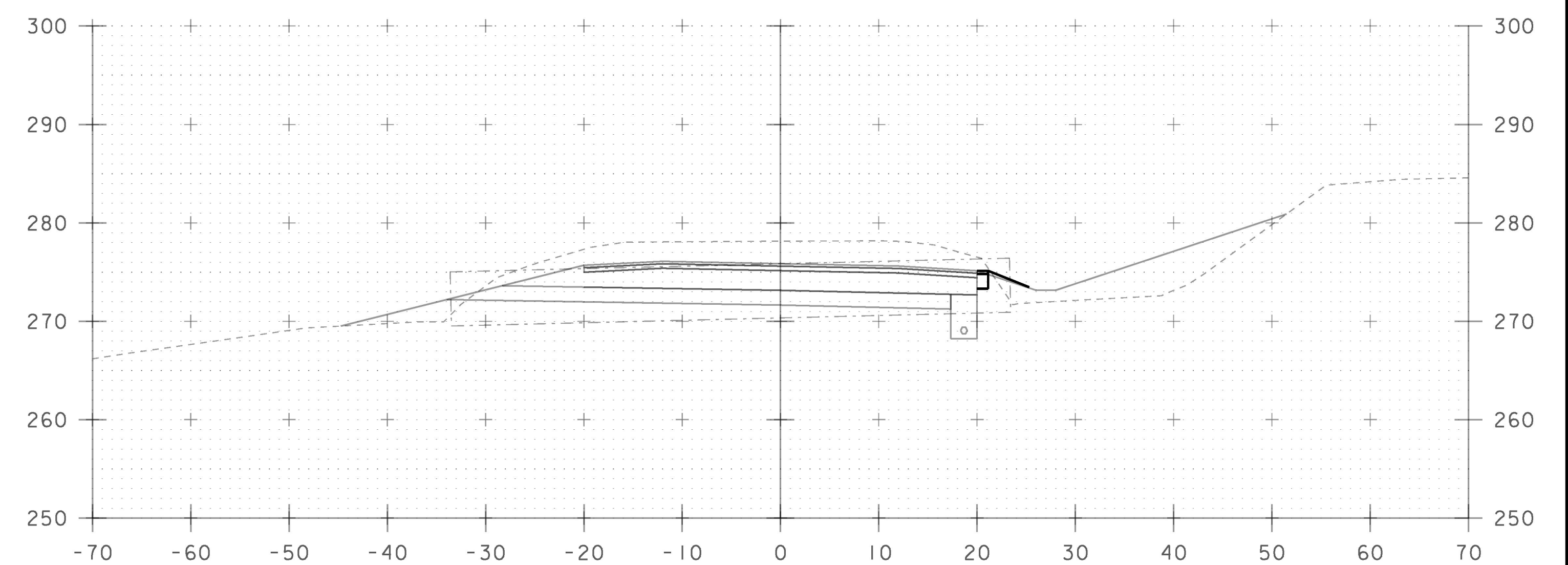
29+00



29+50



28+50



29+46

STA. 28+50 TO STA. 29+50

PROJECT NAME: CHARLOTTE	
PROJECT NUMBER: F EGC 019-4(20)	
FILE NAME: d78d062_fc_xs.dgn	PLOT DATE: 15-MAR-2016
PROJECT LEADER: K. UPMAL	DRAWN BY: B. KIPP
DESIGNED BY: B. KIPP	CHECKED BY: A. BOMBARDIER
TRAFFIC CONTROL CROSS SECTIONS II	SHEET 428 OF 499