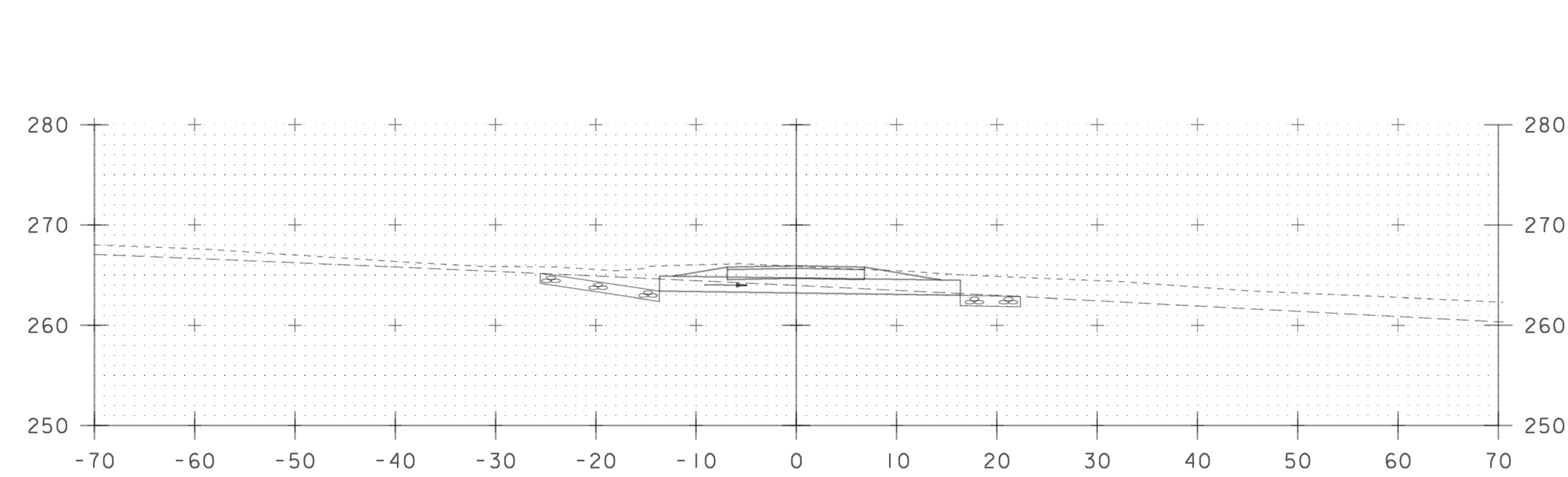
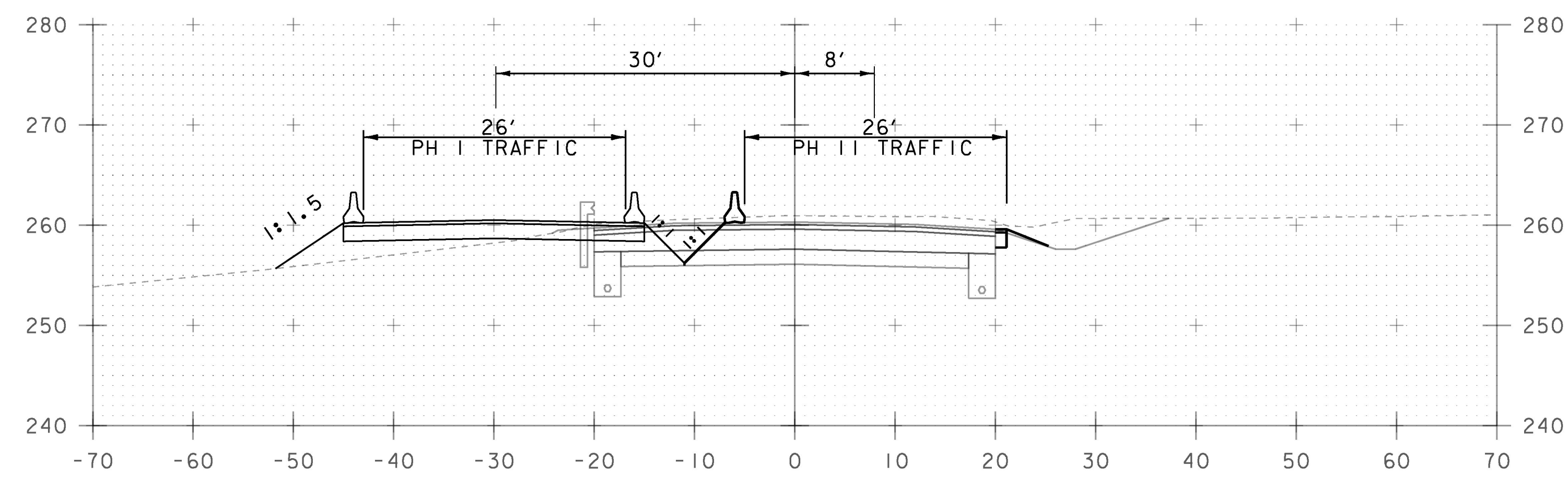


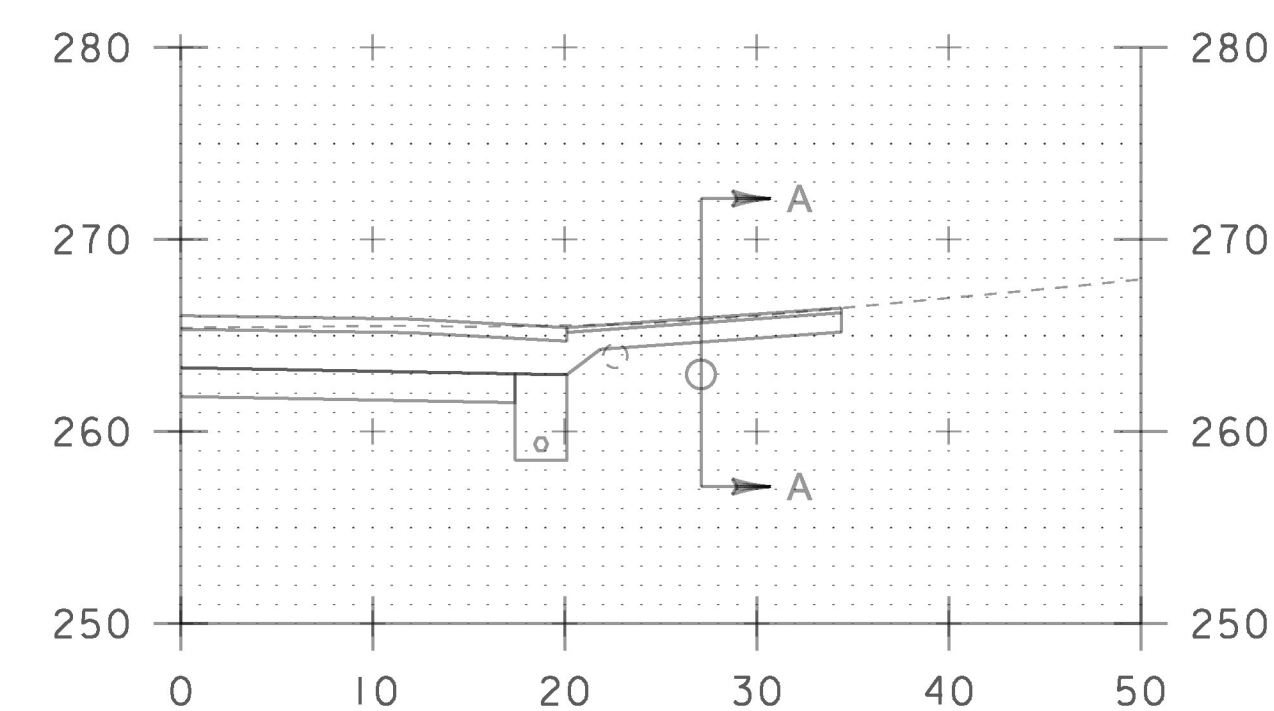
23+50



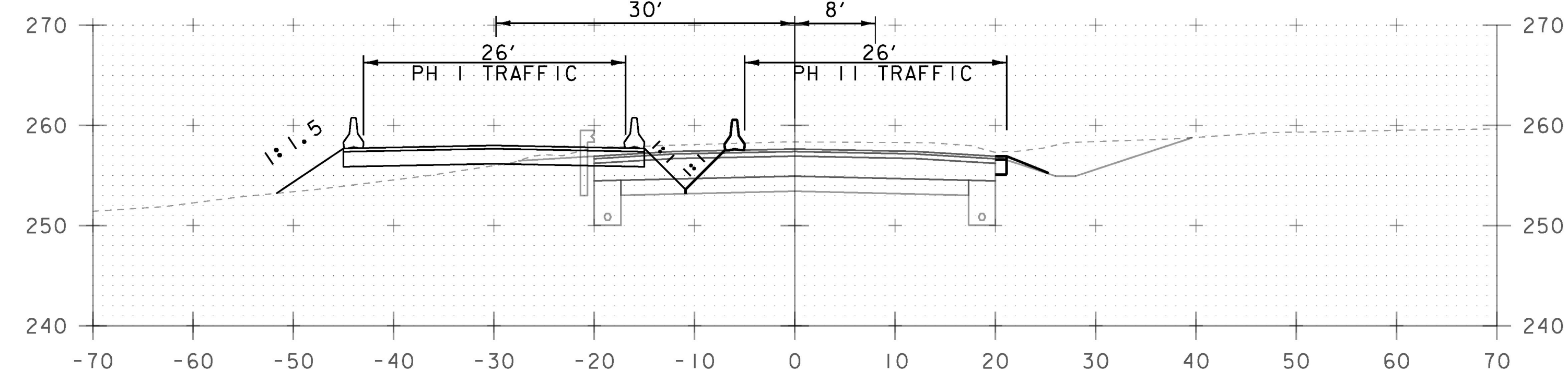
24+08 DRIVE RT SECTION A-A



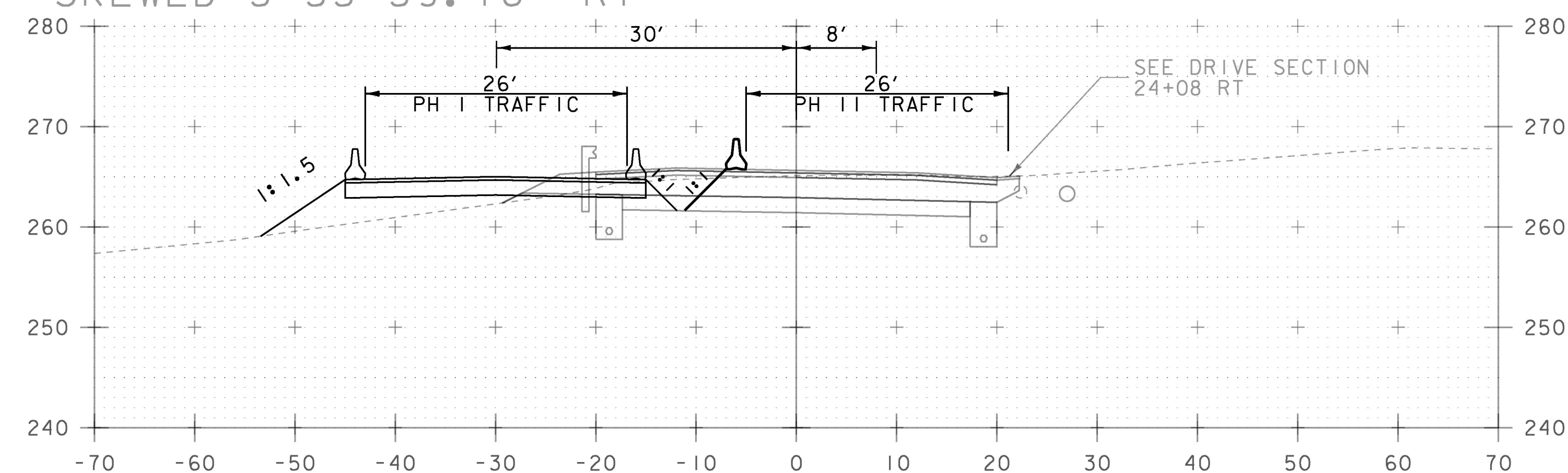
23+00



24+08 DRIVE RT  
SKEWED 5° 55' 59.16" RT



22+50



24+00

PROJECT NAME:	CHARLOTTE
PROJECT NUMBER:	F EGC 019-4(20)
FILE NAME:	d78d062_fc_xs.dgn
PROJECT LEADER:	K. UPMAL
DESIGNED BY:	B. KIPP
TRAFFIC CONTROL CROSS SECTIONS 8	
PLOT DATE:	15-MAR-2016
DRAWN BY:	B. KIPP
CHECKED BY:	A. BOMBARDIER
	SHEET 425 OF 499

STA. 22+50 TO STA. 24+08