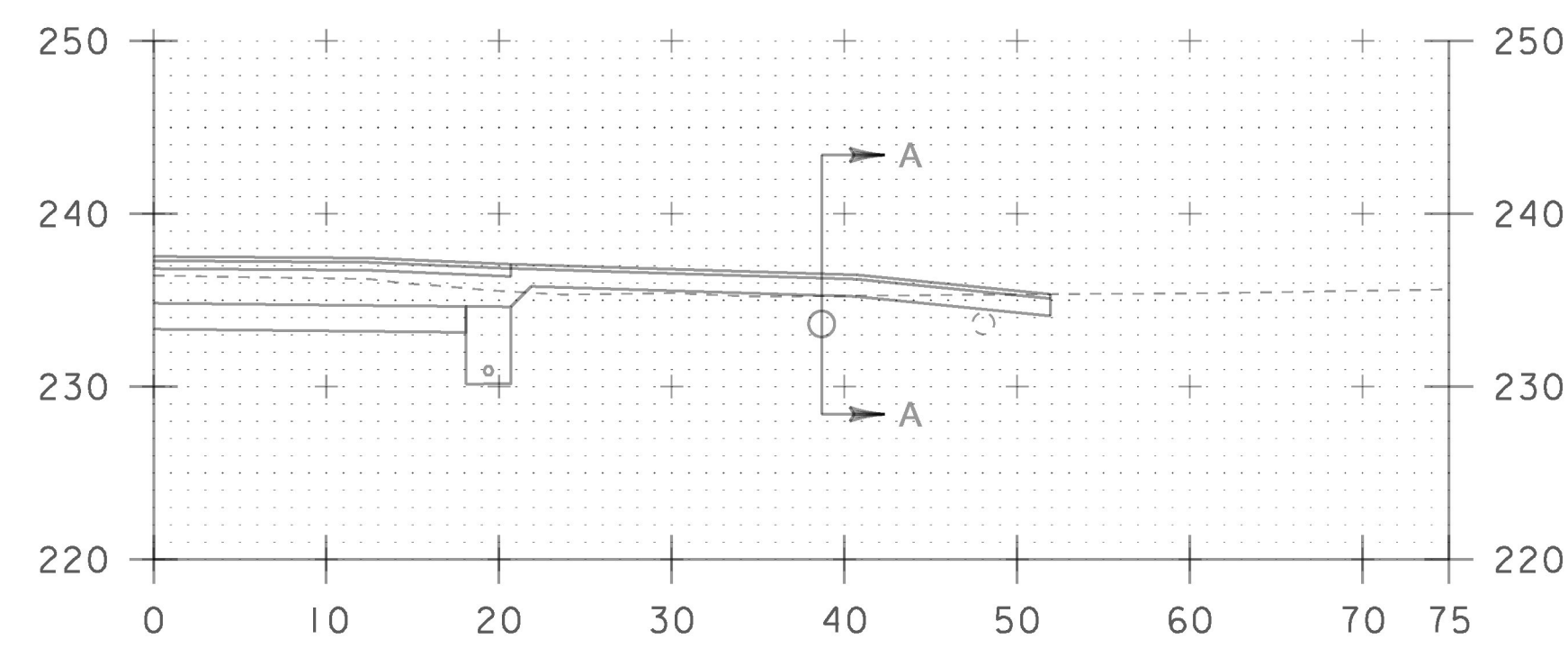
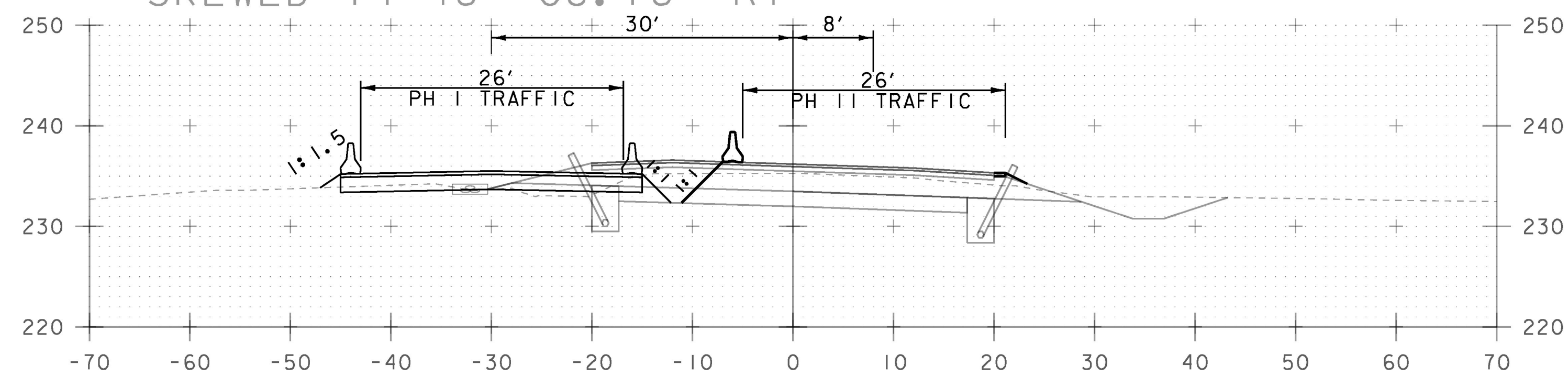


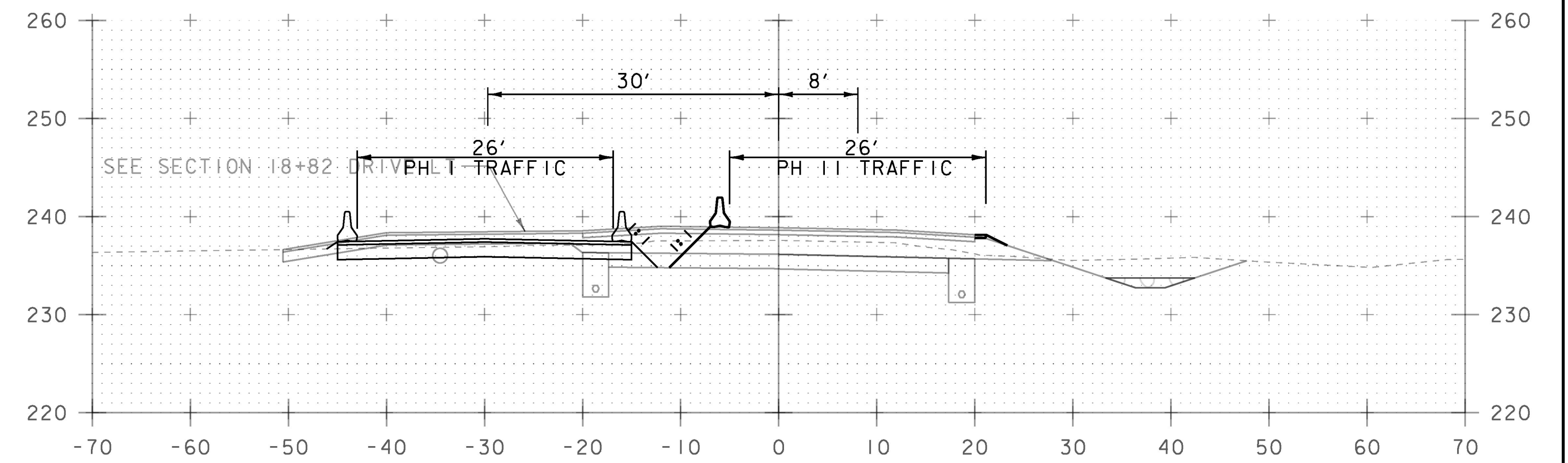
18+75 DRIVE RT SECTION A-A



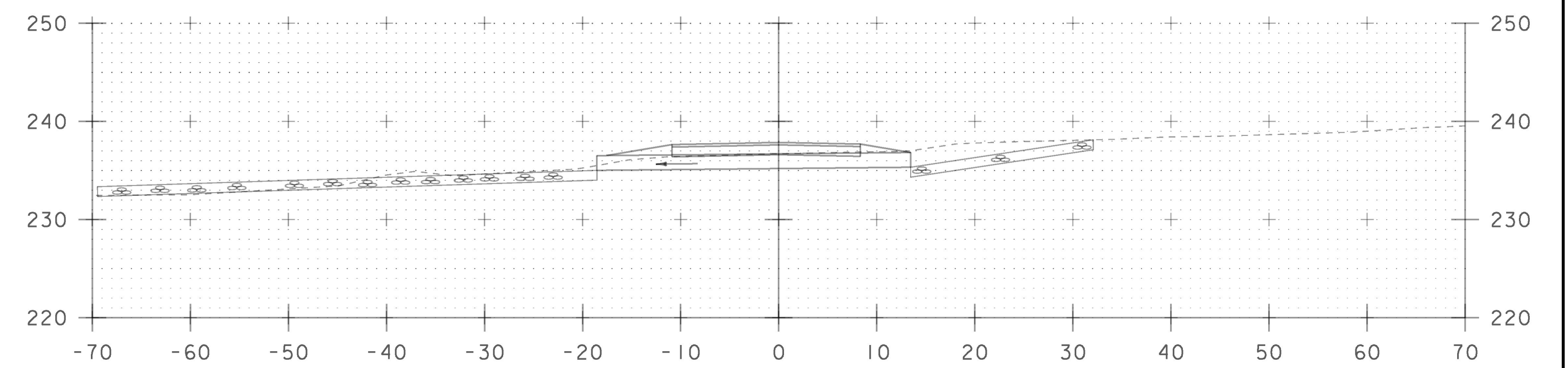
18+75 DRIVE RT
SKEWED 14° 46' -08.76" RT



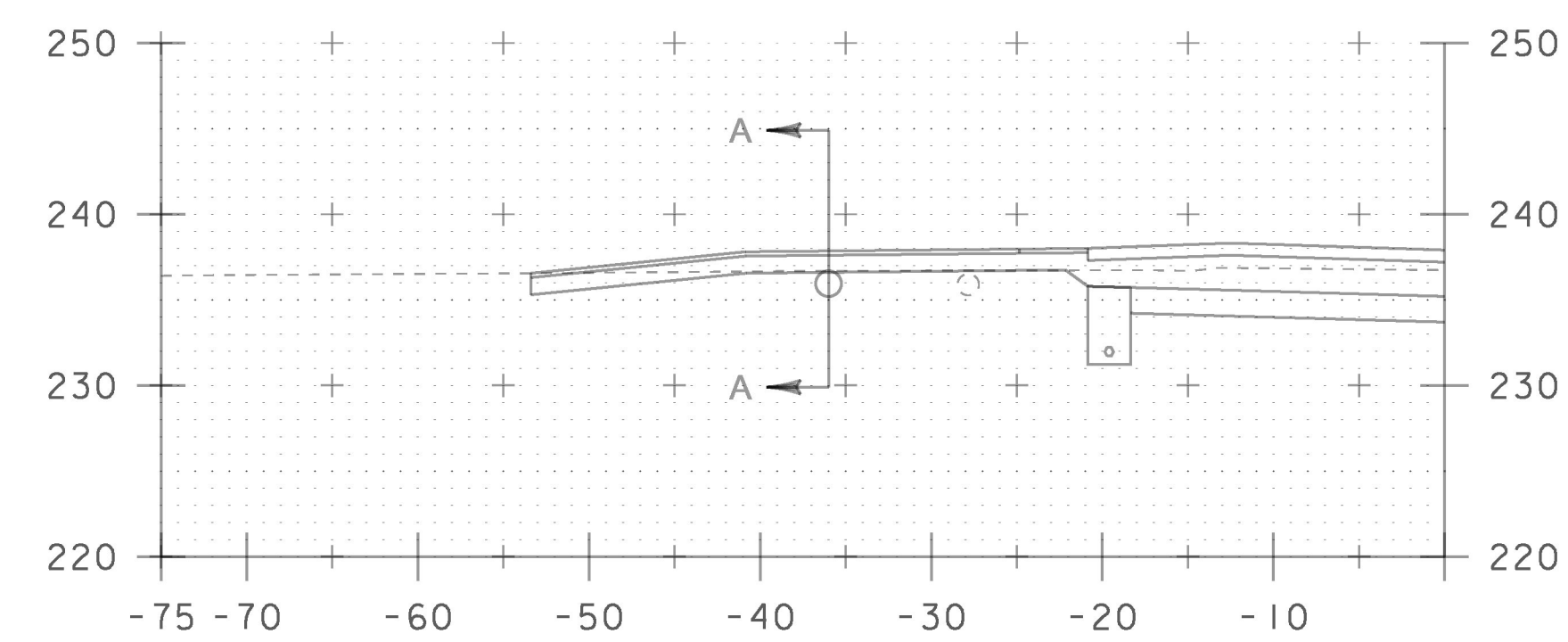
18+50



19+00



18+82 DRIVE LT SECTION A-A



18+82 DRIVE LT
SKEWED 16° 25' 12.36"

STA. 18+50 TO STA. 19+00

PROJECT NAME:	CHARLOTTE
PROJECT NUMBER:	F EGC 019-4(20)
FILE NAME:	d78d062_fc_xs.dgn
PROJECT LEADER:	K. UPMAL
DESIGNED BY:	B. KIPP
TRAFFIC CONTROL CROSS SECTIONS 6	
PLOT DATE:	15-MAR-2016
DRAWN BY:	B. KIPP
CHECKED BY:	A. BOMBARDIER
SHEET	423 OF 499