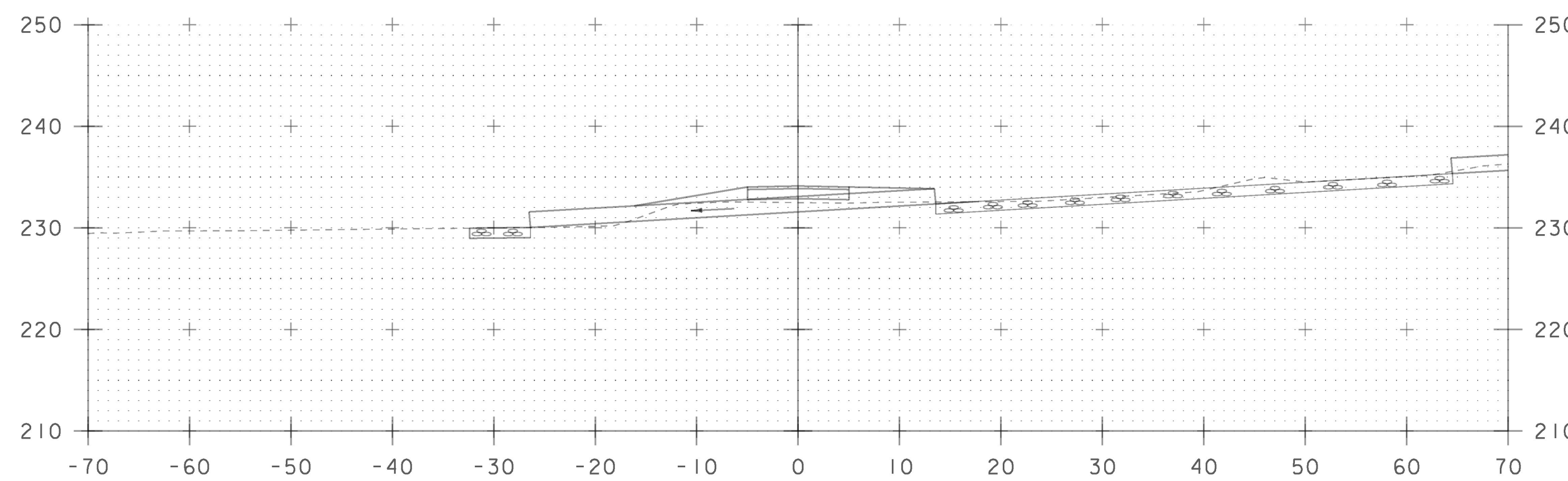
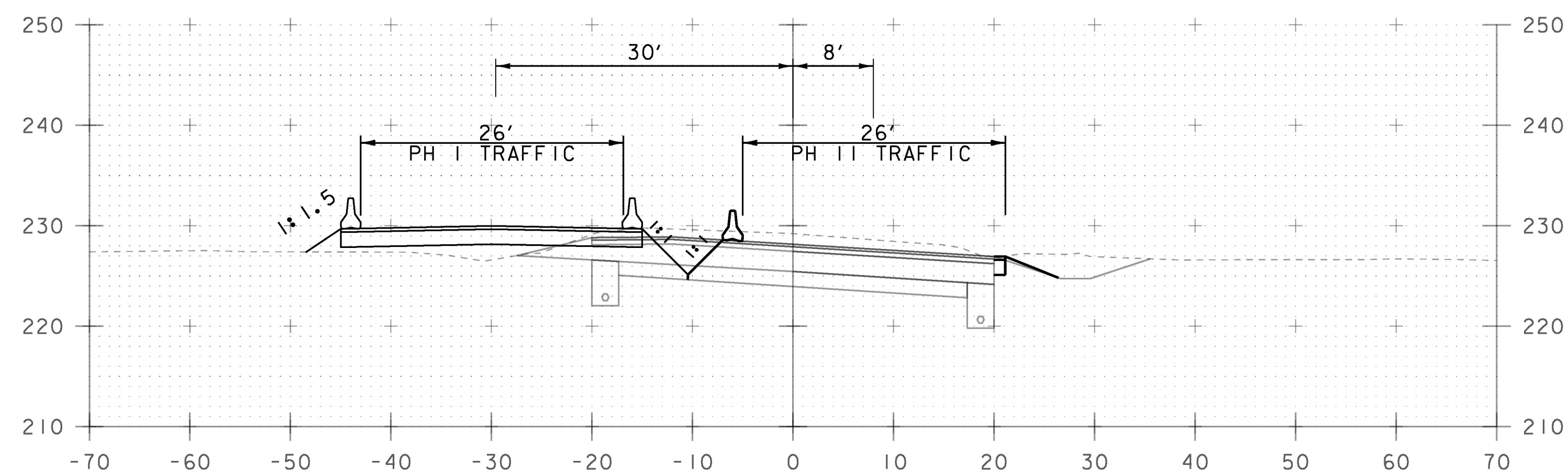


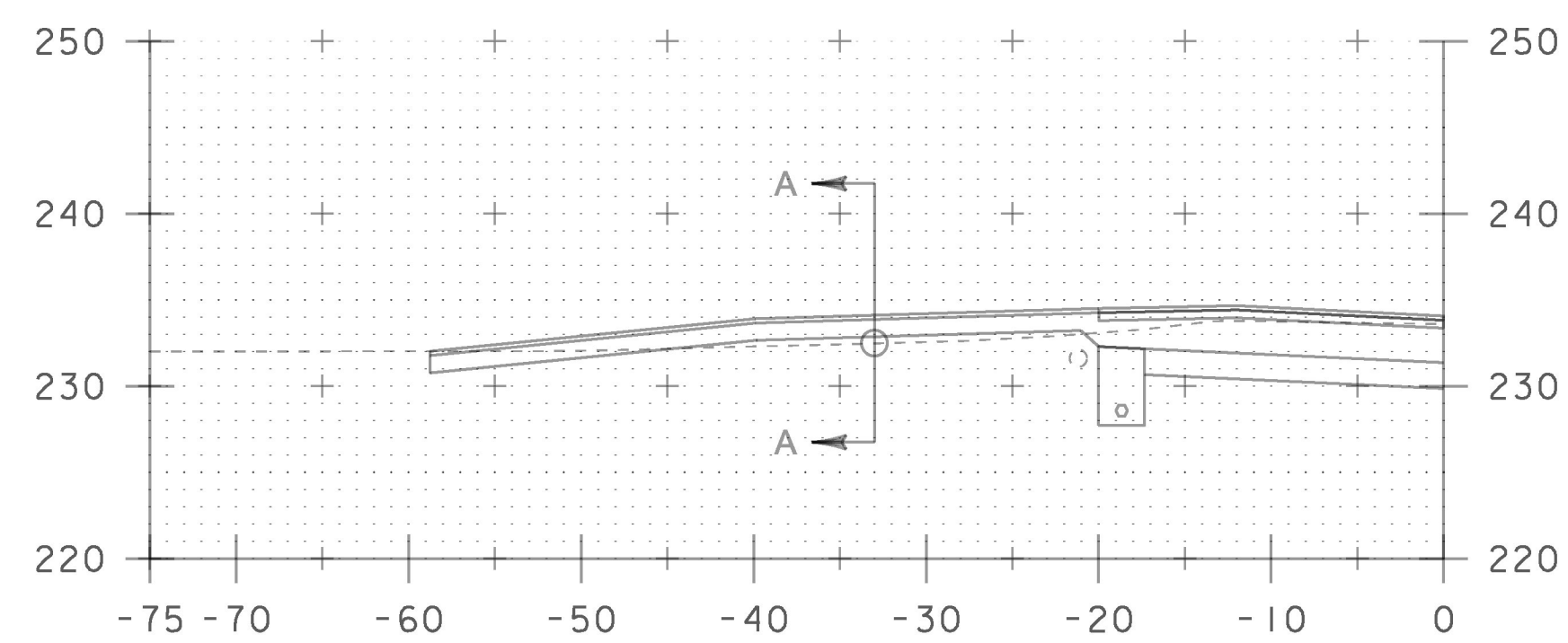
17+50



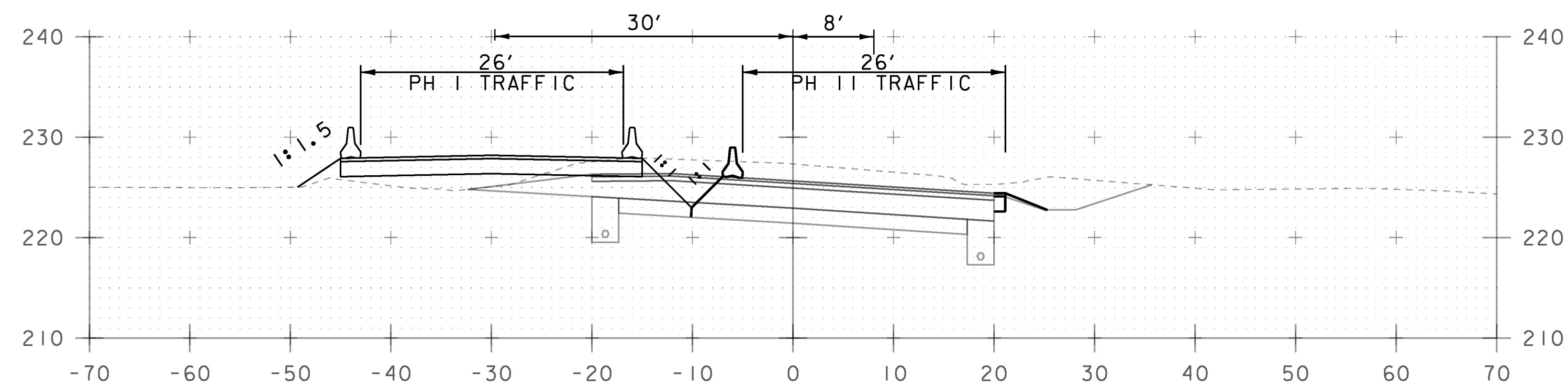
18+10 DRIVE LT
SECTION A-A



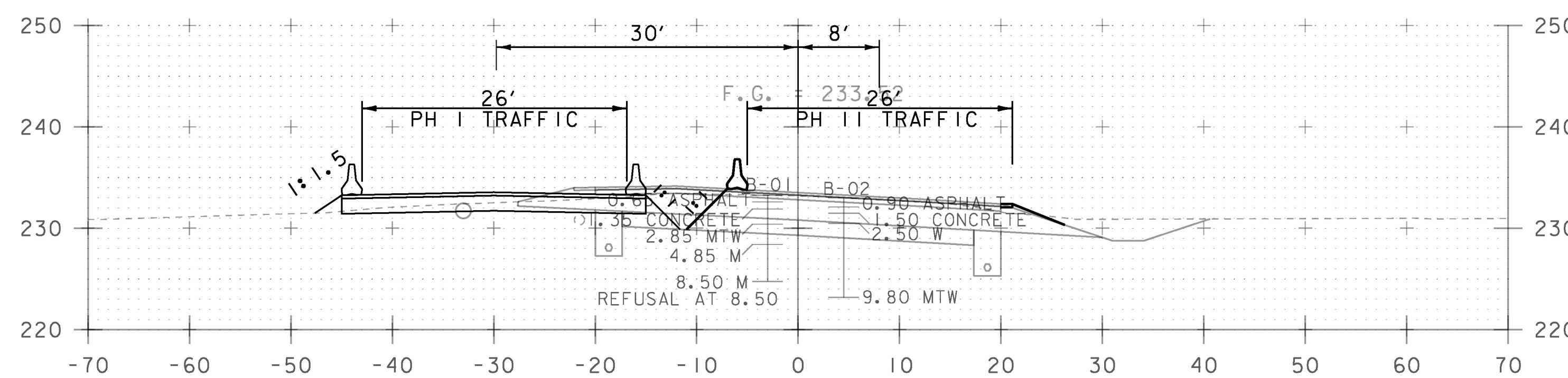
17+00



18+10 DRIVE LT



16+50



18+00

STA. 16+50 TO STA. 18+10

PROJECT NAME:	CHARLOTTE
PROJECT NUMBER:	F EGC 019-4(20)
FILE NAME:	d78d062_fc_xs.dgn
PROJECT LEADER:	K. UPMAL
DESIGNED BY:	B. KIPP
TRAFFIC CONTROL CROSS SECTIONS 5	
PLOT DATE:	15-MAR-2016
DRAWN BY:	B. KIPP
CHECKED BY:	A. BOMBARDIER
SHEET	422 OF 499