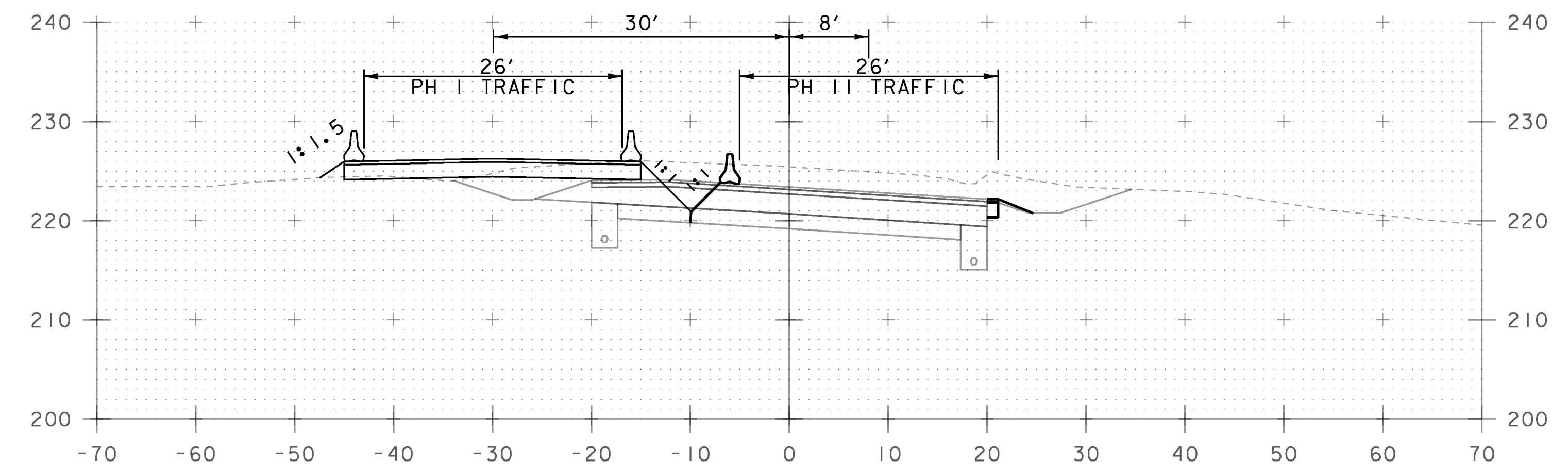
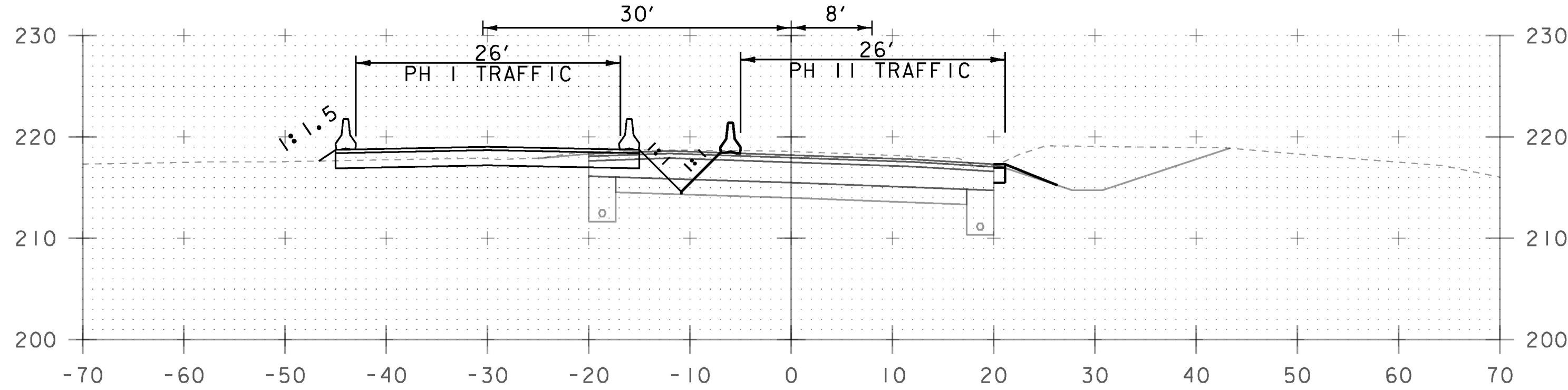


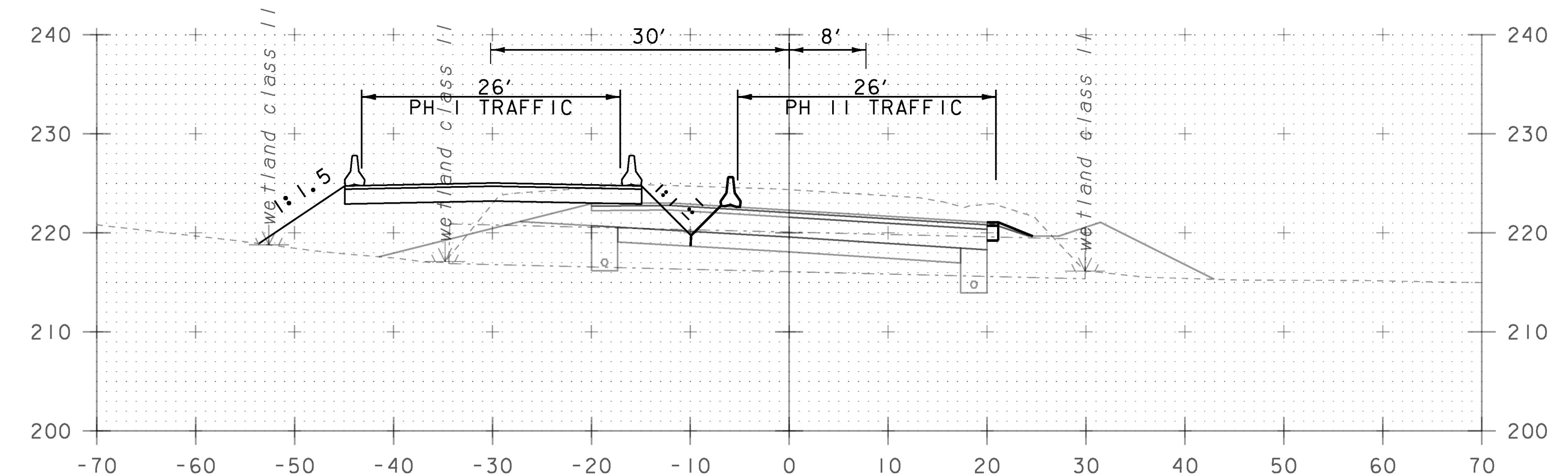
15+00



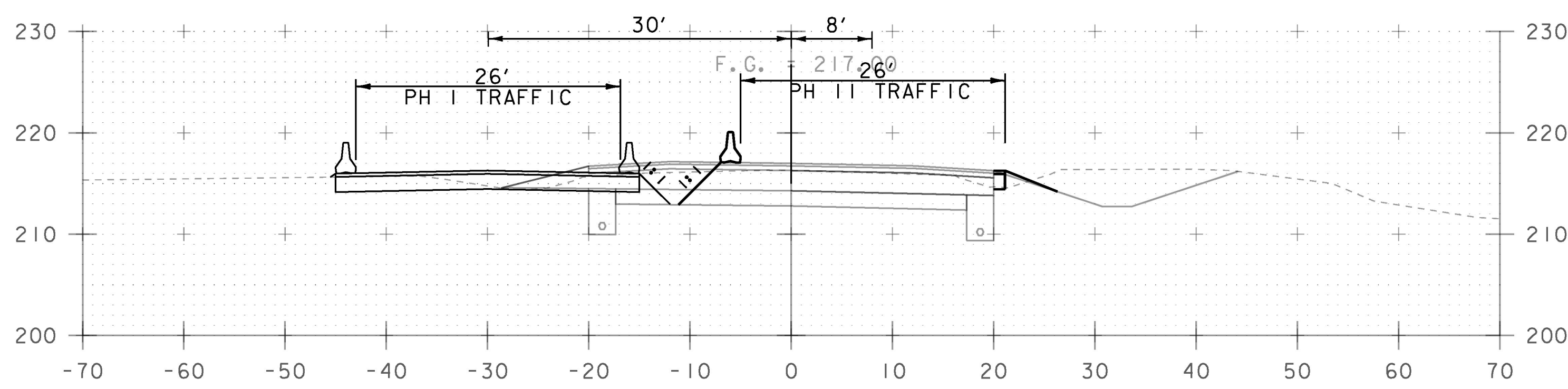
16+00



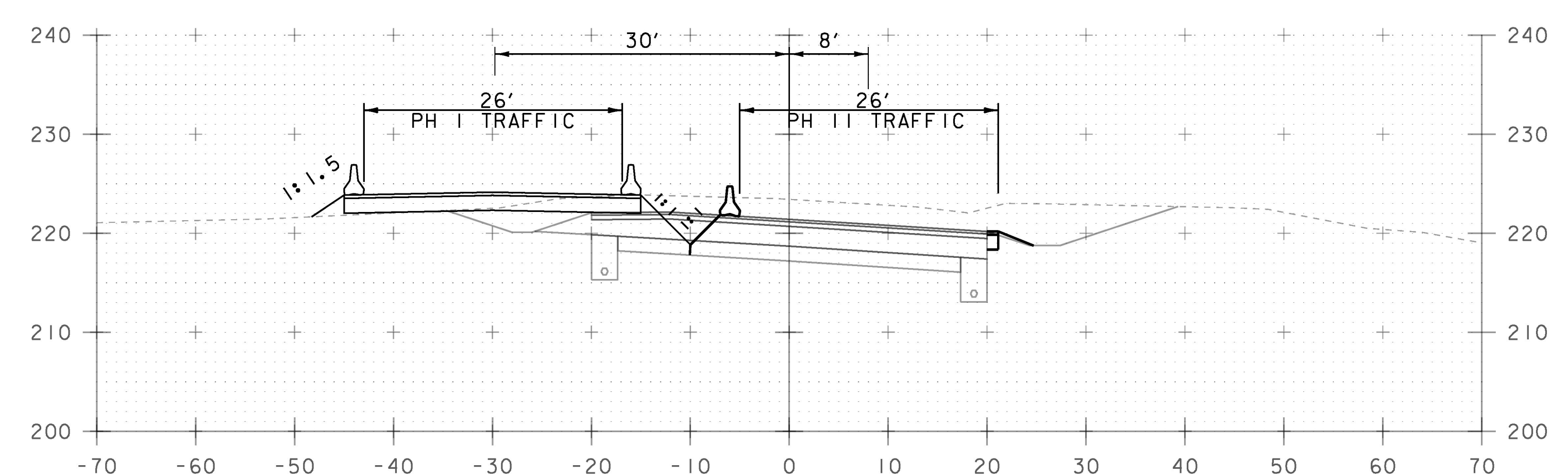
14+50



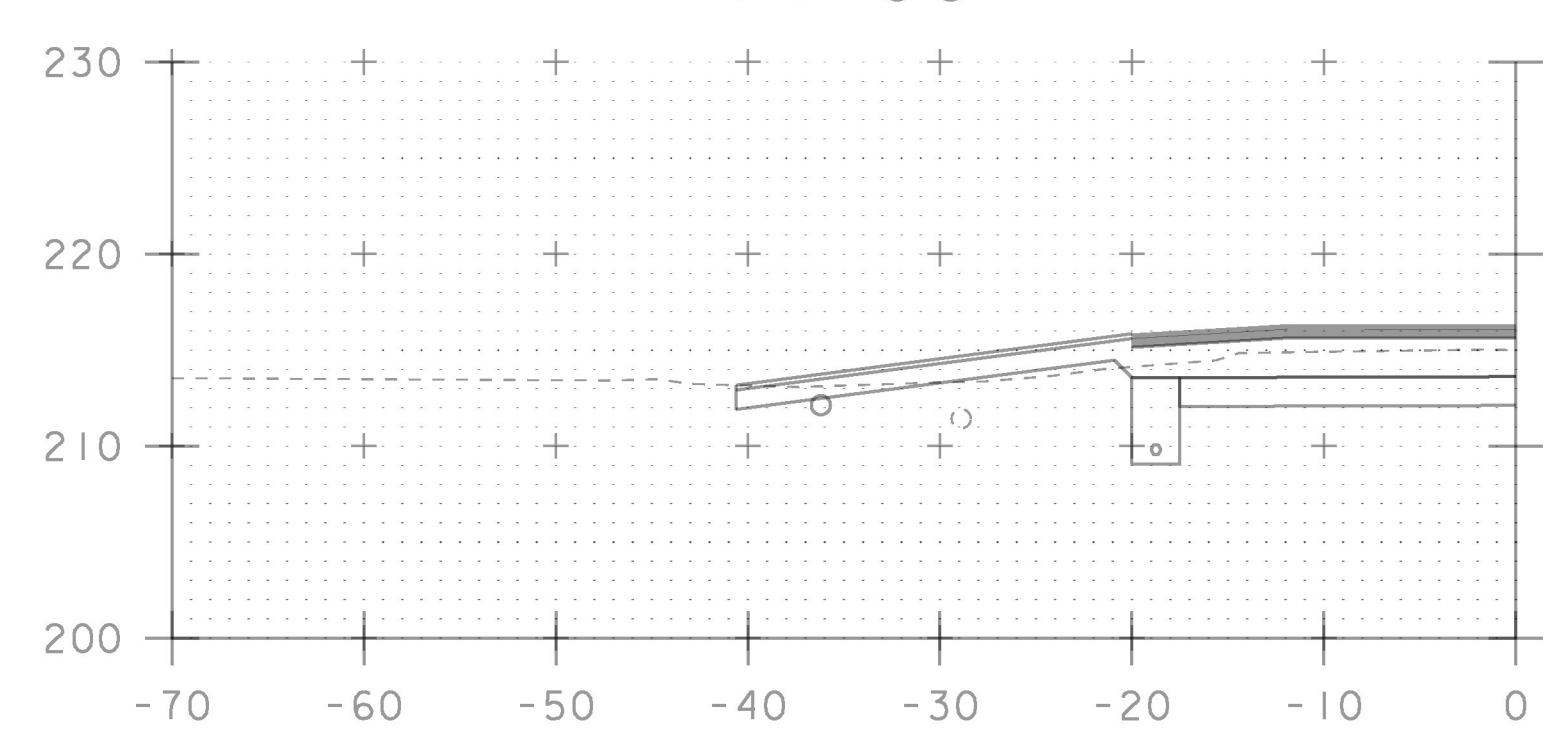
15+73



14+00



15+50



13+66 DRIVE LT

STA. 13+66 TO STA. 16+00

PROJECT NAME: CHARLOTTE	
PROJECT NUMBER: F EGC 019-4(20)	
FILE NAME: d78d062_fc_xs.dgn	PLOT DATE: 15-MAR-2016
PROJECT LEADER: K. UPMAL	DRAWN BY: B. KIPP
DESIGNED BY: B. KIPP	CHECKED BY: A. BOMBARDIER
TRAFFIC CONTROL CROSS SECTIONS 4	SHEET 421 OF 499