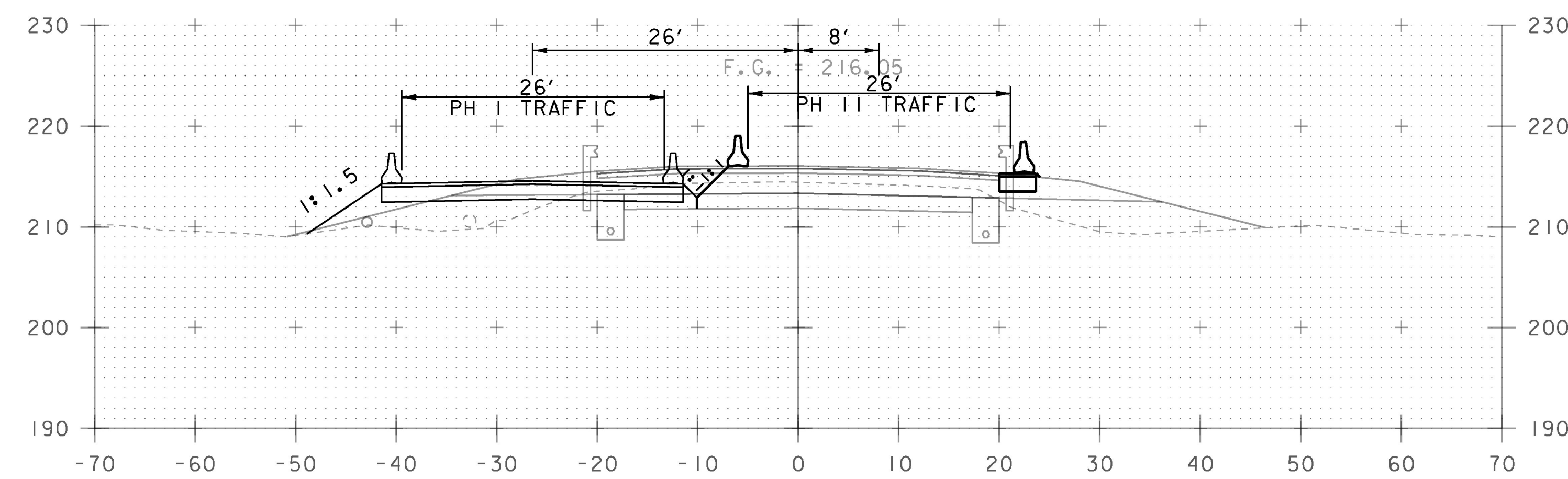
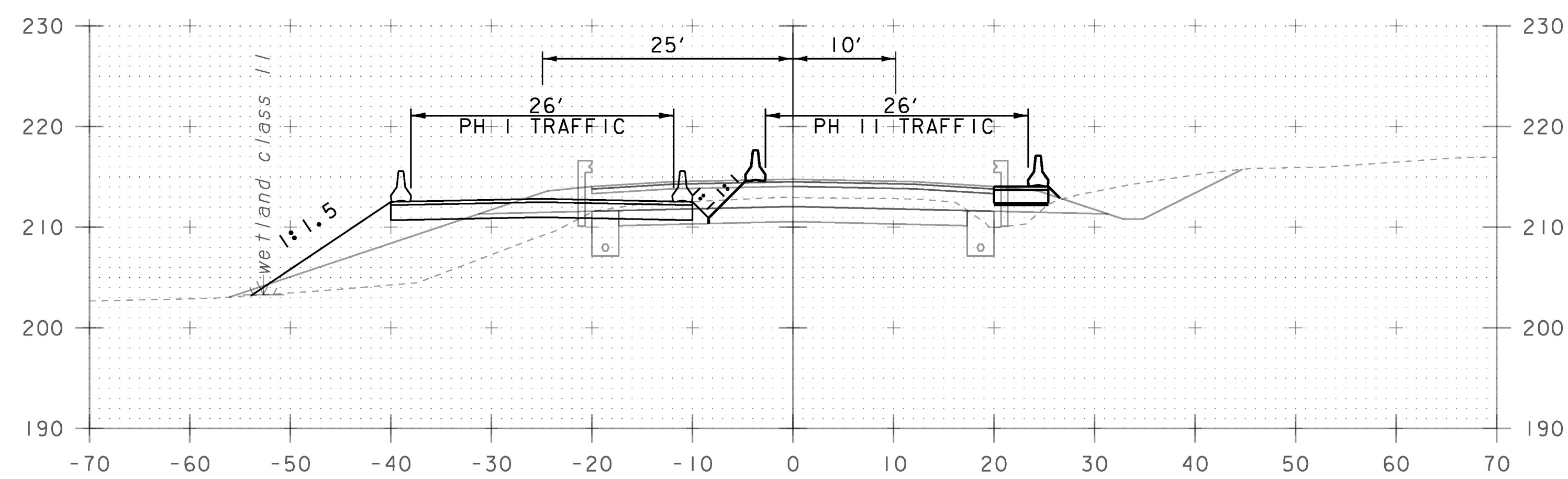


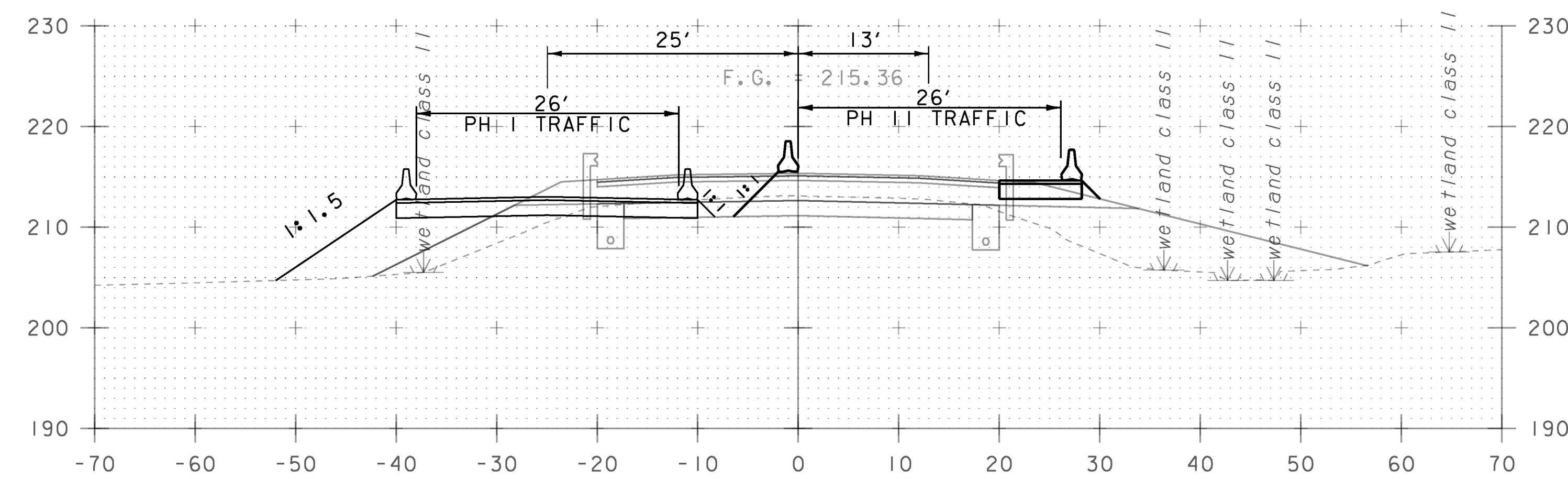
12+50



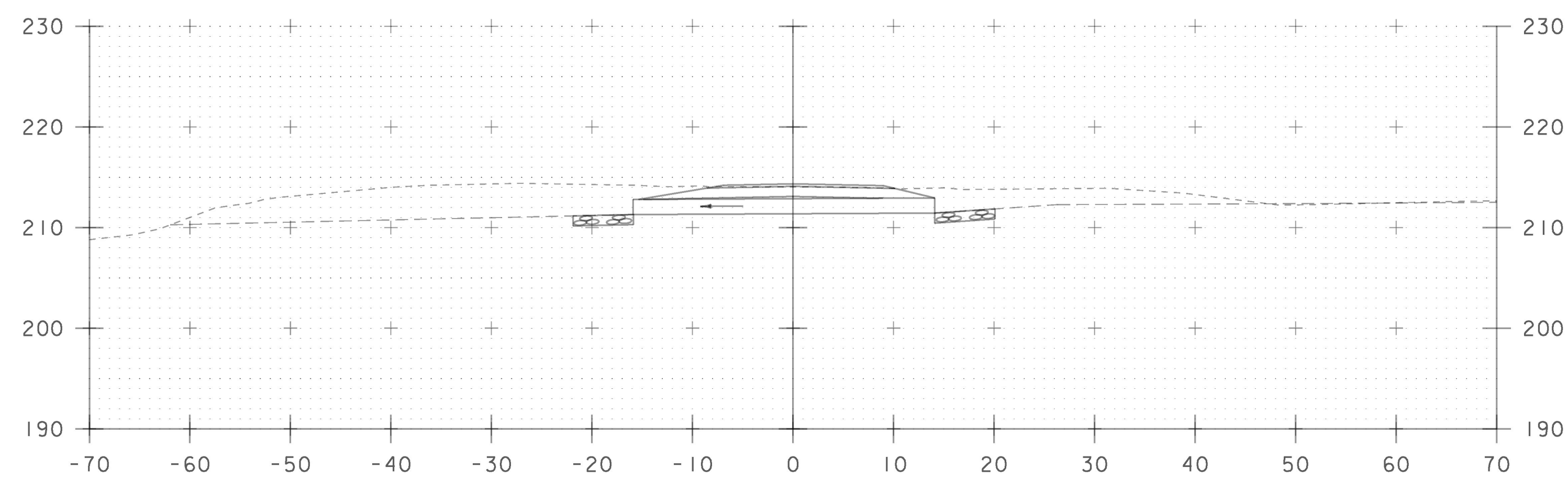
13+50



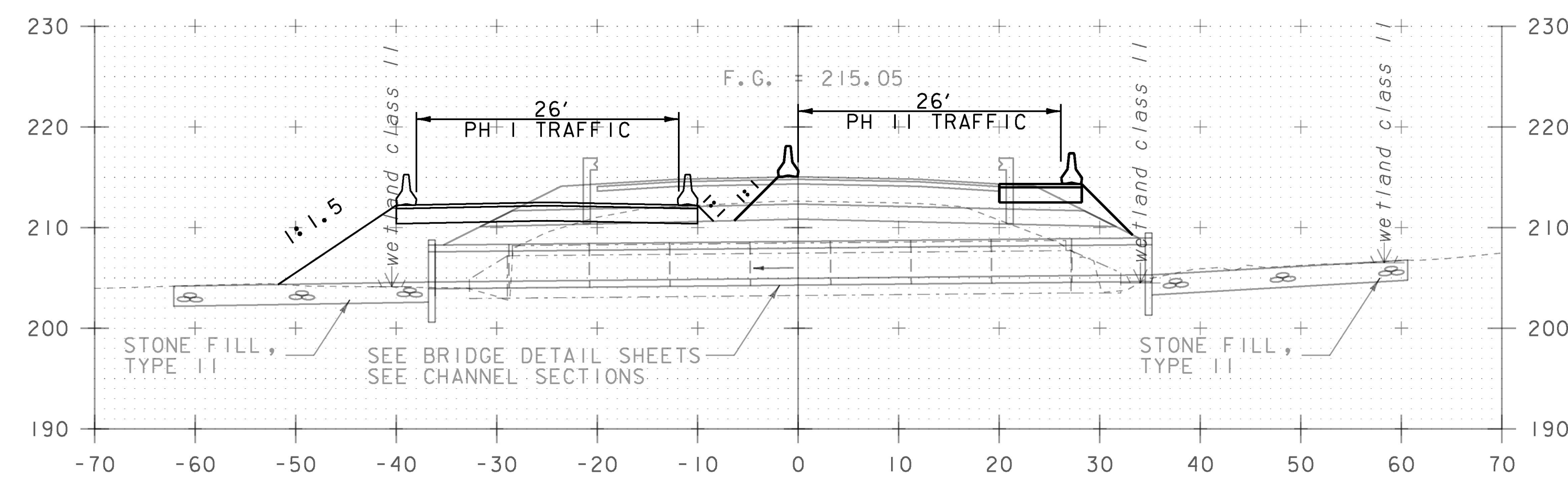
12+00



13+00



11+50 DRIVE RT
SECTION A-A



12+67
BRIDGE #140

STA. 11+50 TO STA. 13+50

PROJECT NAME:	CHARLOTTE
PROJECT NUMBER:	F EGC 019-4(20)
FILE NAME:	d78d062_fc_xs.dgn
PROJECT LEADER:	K. UPMAL
DESIGNED BY:	B. KIPP
TRAFFIC CONTROL CROSS SECTIONS 3	
PLOT DATE:	15-MAR-2016
DRAWN BY:	B. KIPP
CHECKED BY:	A. BOMBARDIER
	SHEET 420 OF 499