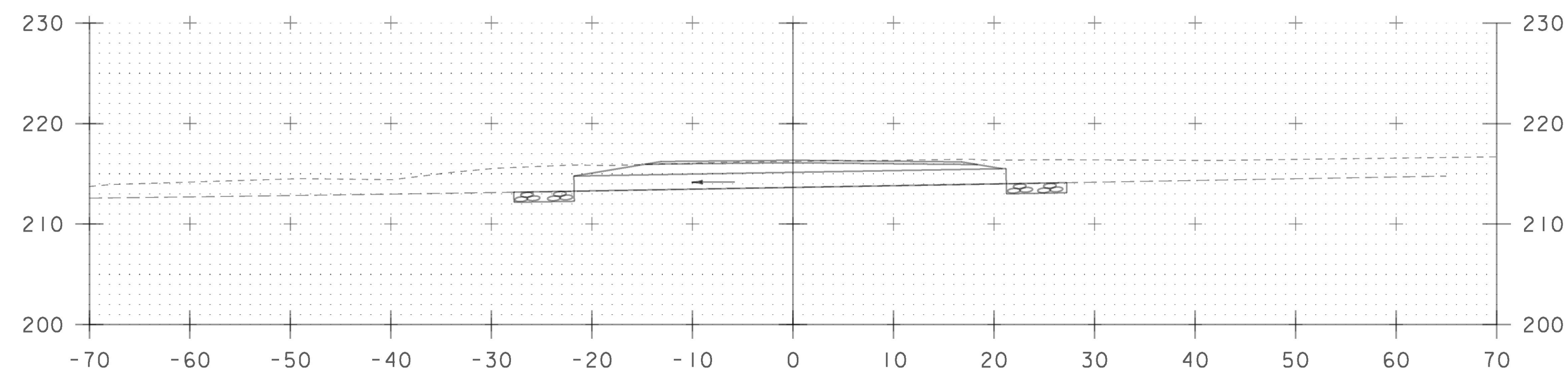
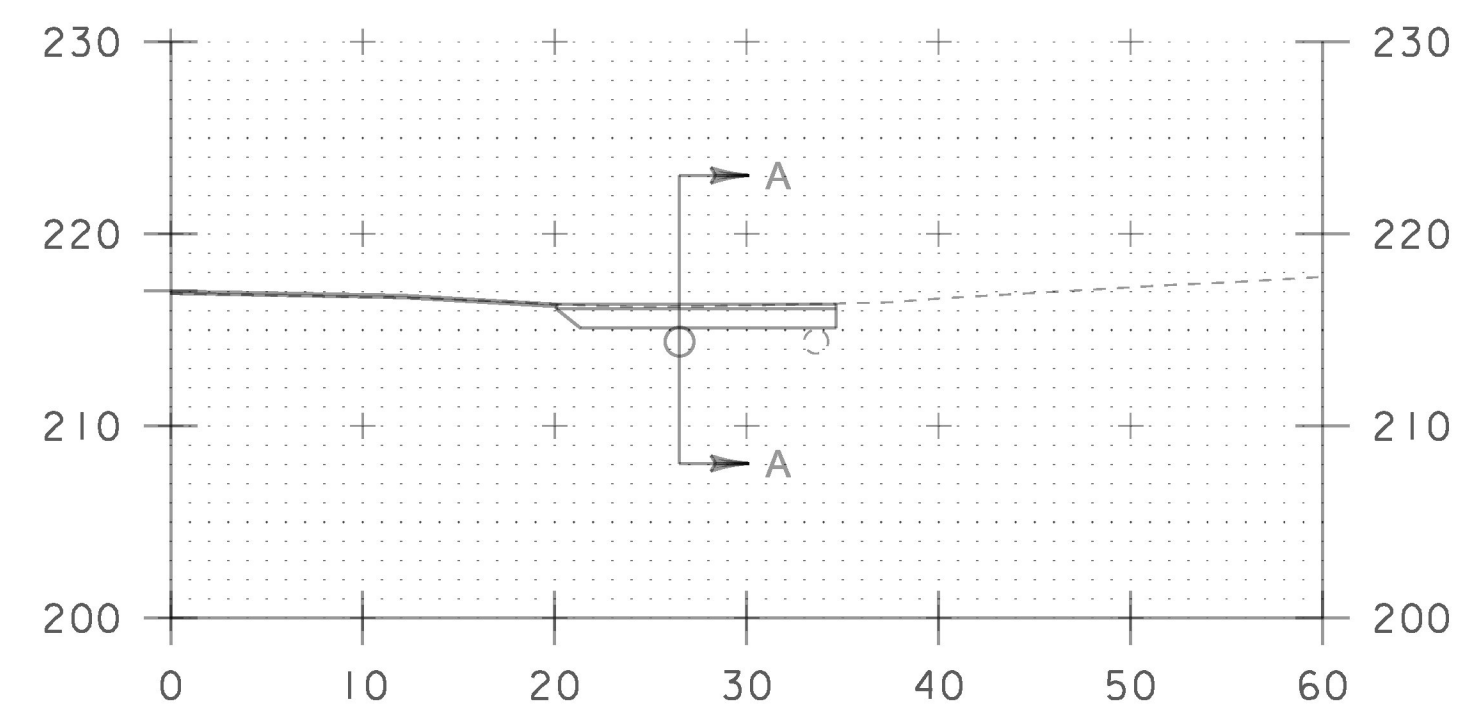


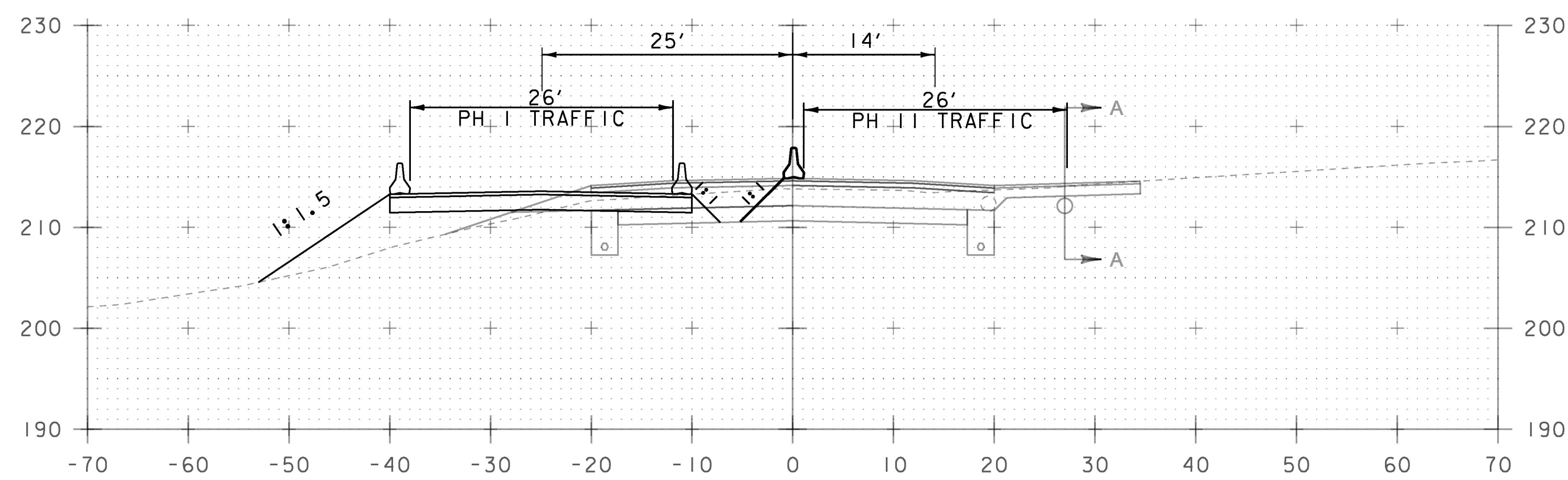
10+00



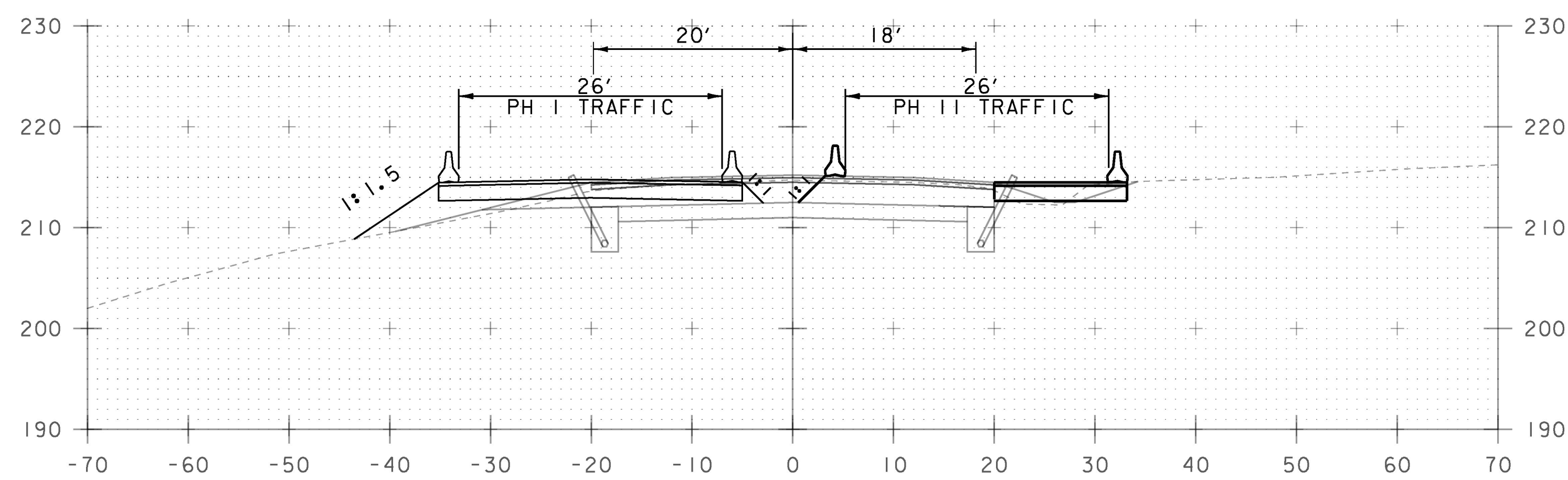
9+63 DRIVE RT
SECTION A-A



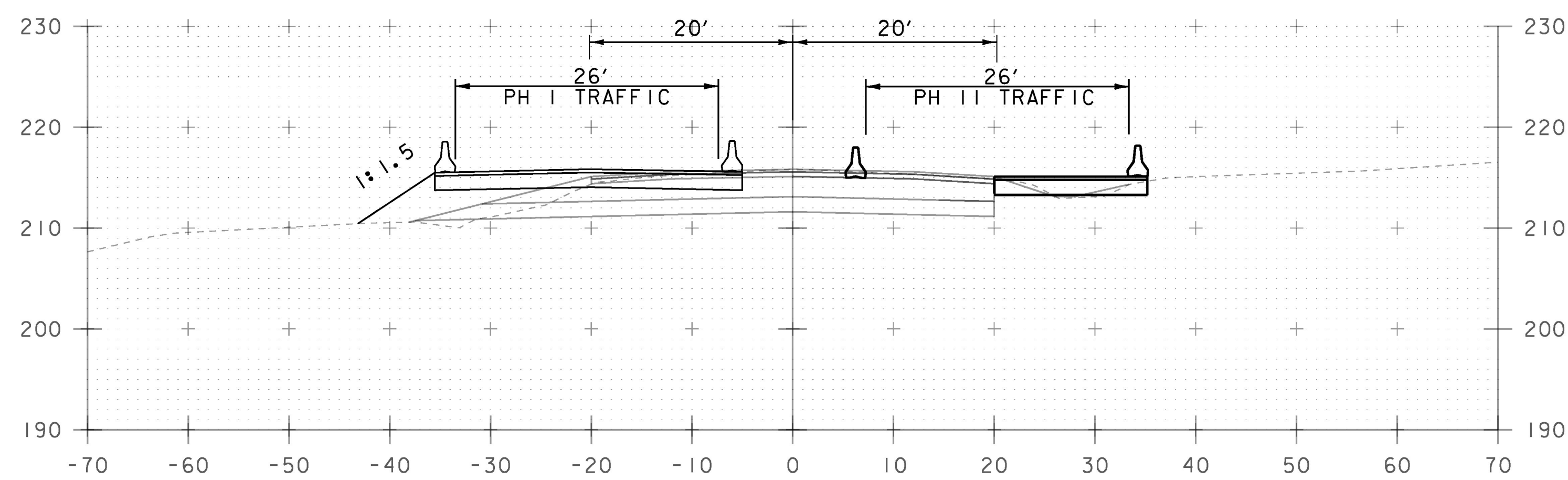
9+63 DRIVE RT



11+50 DRIVE RT



11+00



10+50
END APPROACH
BEGIN PROJECT
FEGC 019-4 (20)

STA. 9+63 TO STA. 11+50

PROJECT NAME: CHARLOTTE	PLOT DATE: 15-MAR-2016
PROJECT NUMBER: F EGC 019-4(20)	DRAWN BY: B. KIPP
FILE NAME: d78d062_fc_xs.dgn	CHECKED BY: A. BOMBARDIER
PROJECT LEADER: K. UPMAL	SHEET 419 OF 499
DESIGNED BY: B. KIPP	
TRAFFIC CONTROL CROSS SECTIONS 2	