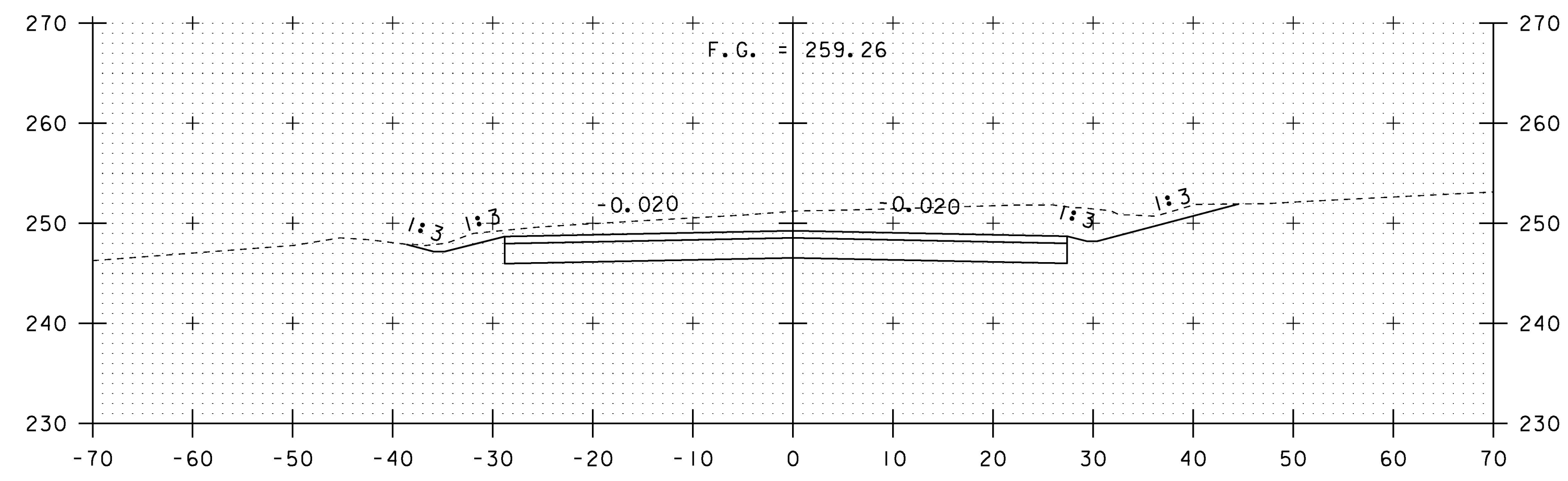
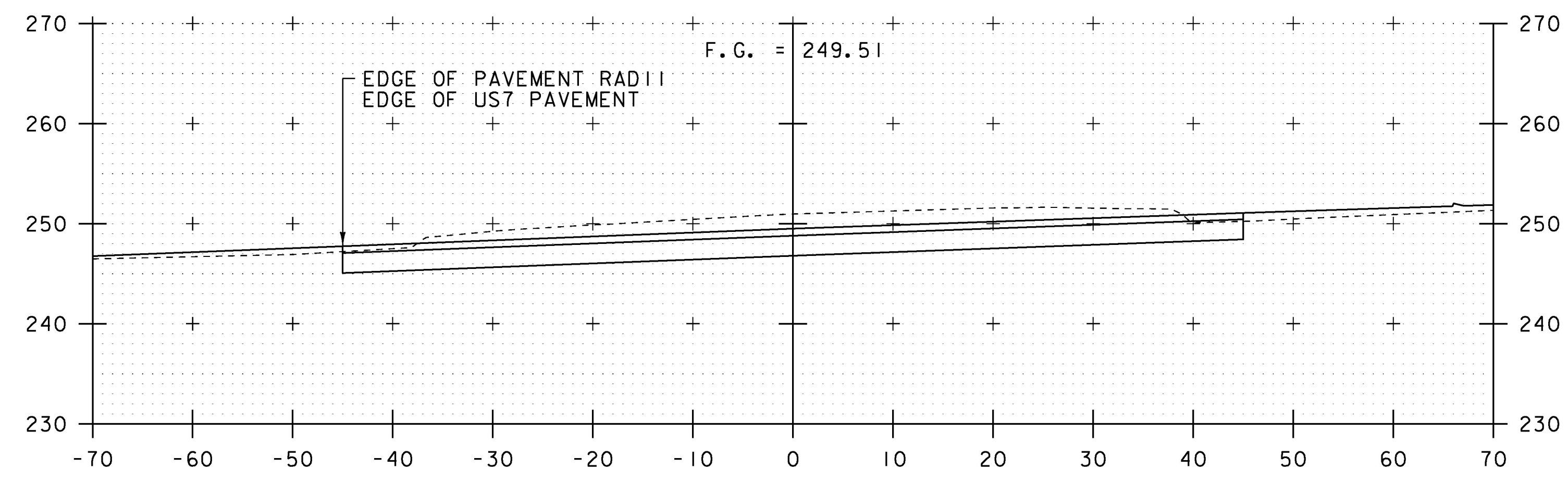


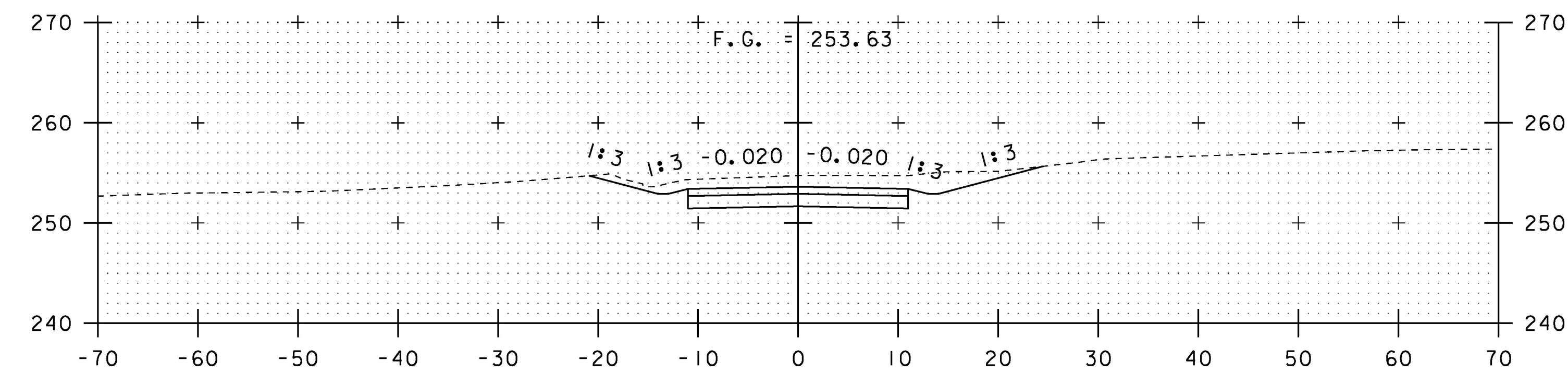
100+29



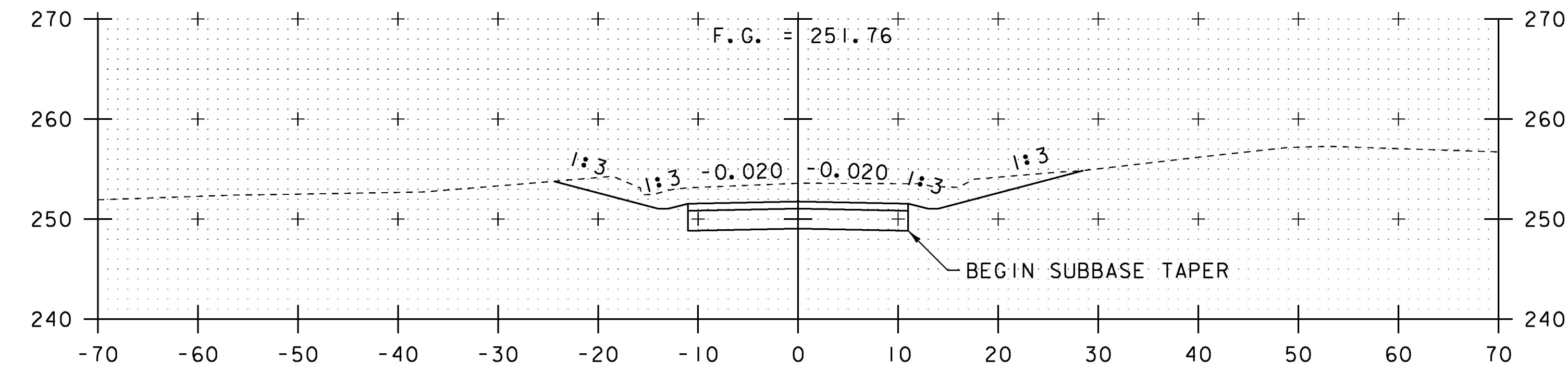
100+25



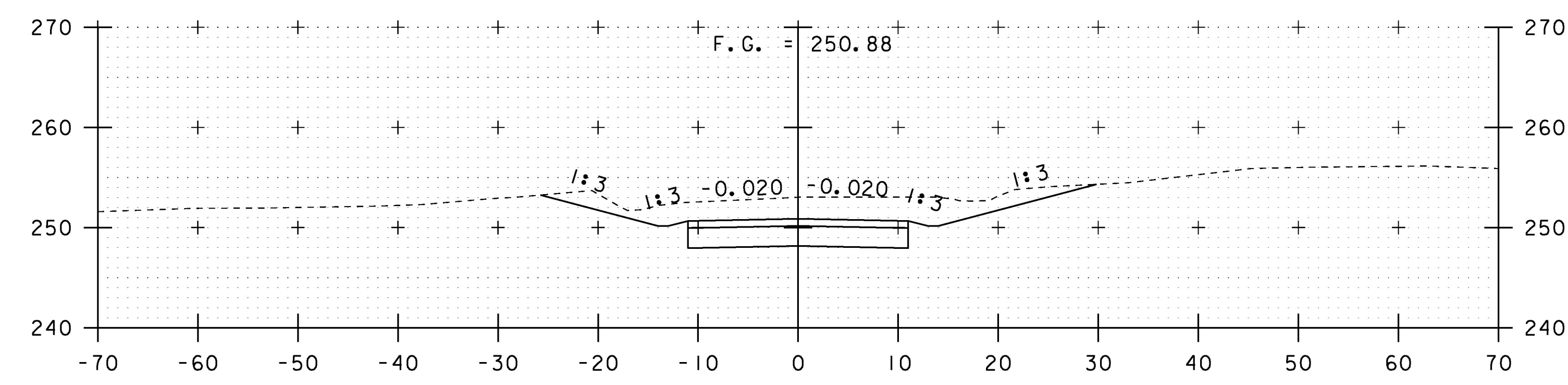
100+20



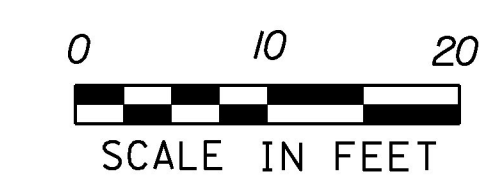
100+75



100+58



100+50



STA. 100+20 TO STA. 100+75

PROJECT NAME: CHARLOTTE	PLOT DATE: 15-MAR-2016
PROJECT NUMBER: F EGC 019-4(20)	DRAWN BY: B. KIPP
FILE NAME: d78d062_xs.dgn	CHECKED BY: C. LEACH
PROJECT LEADER: K. UPMAL	SHEET 368 OF 499
DESIGNED BY: B. KIPP	
STATE PARK RD CROSS SECTIONS I	