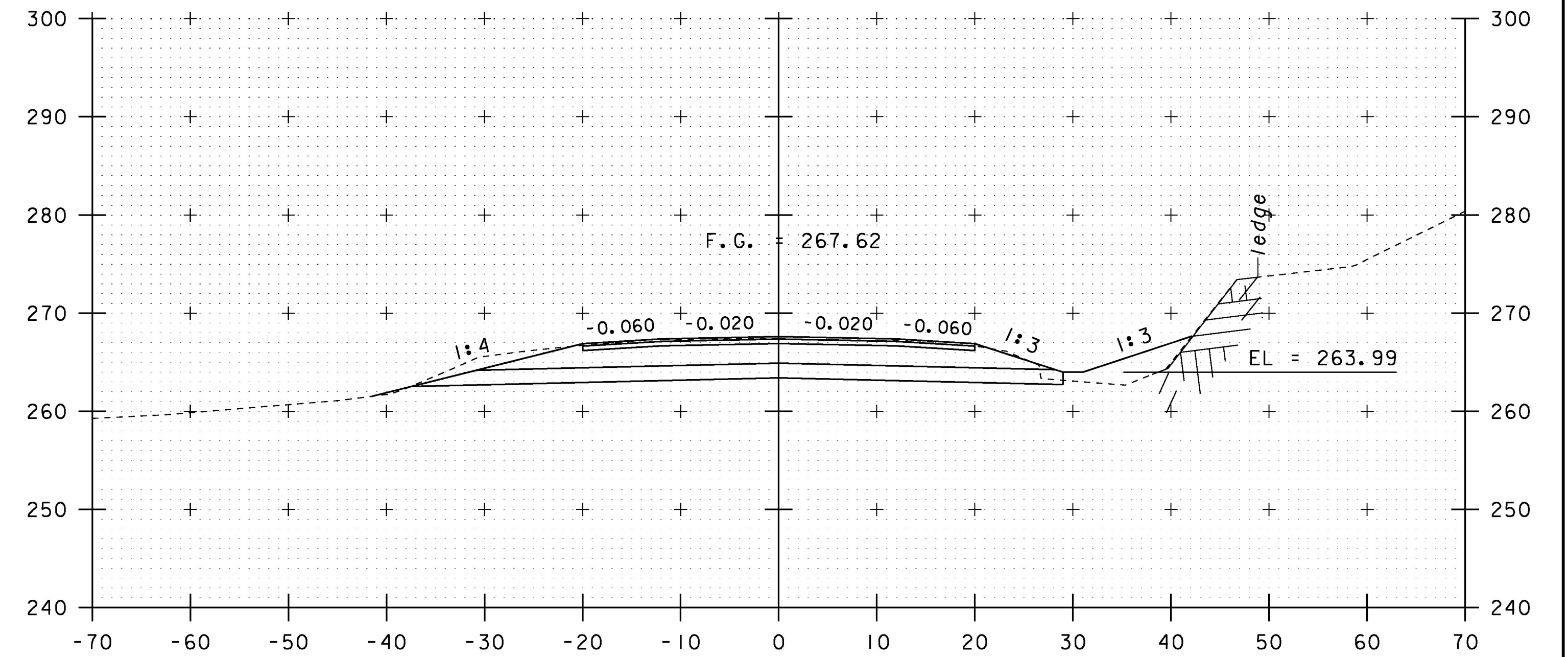
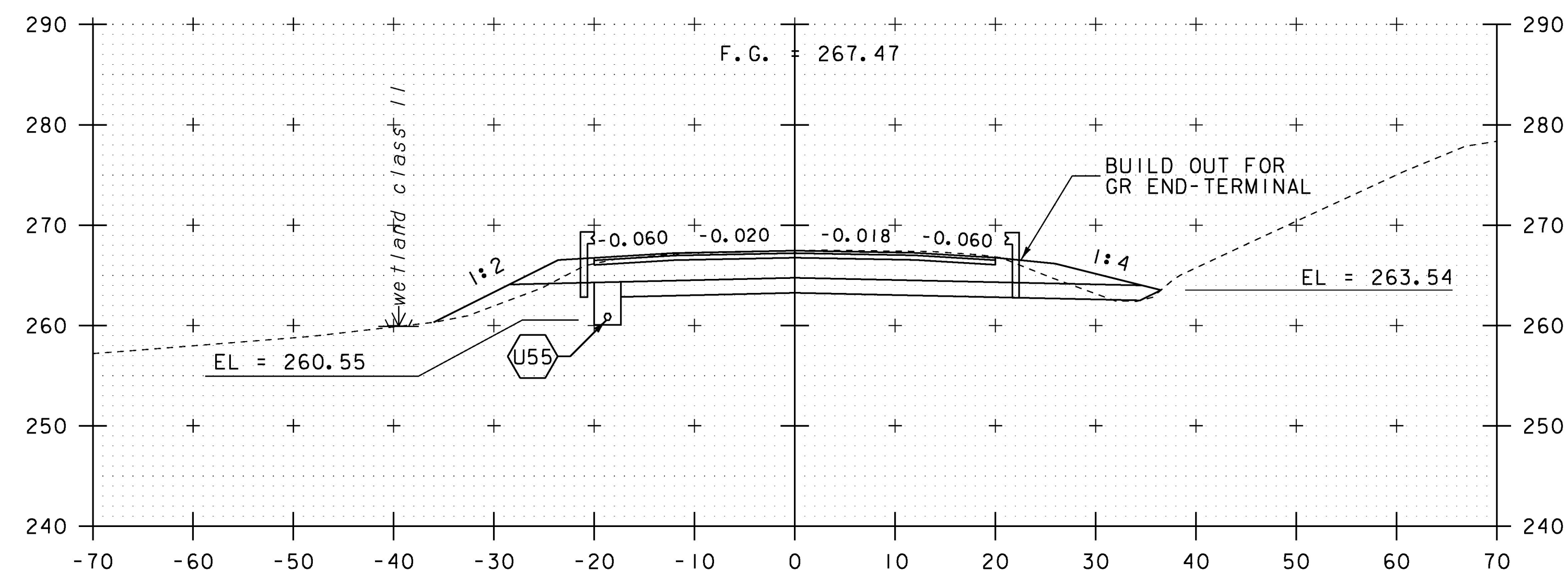


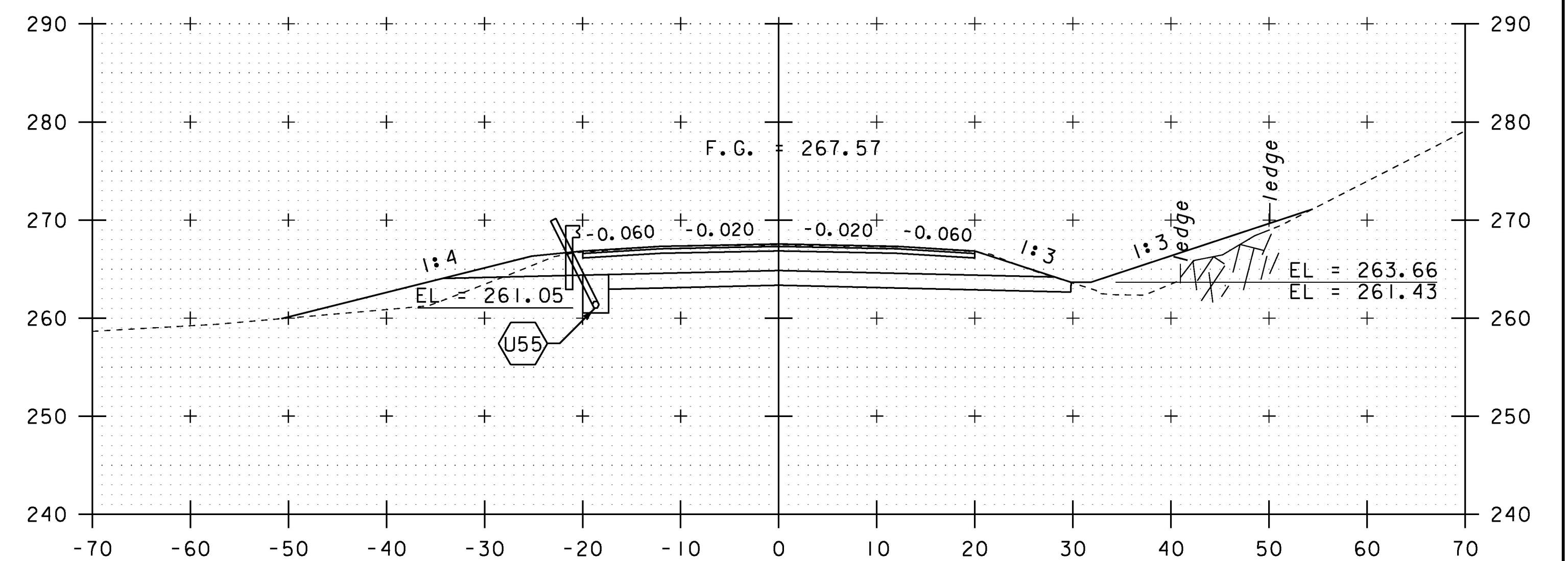
162+50



163+50
END PROJECT FE GC 019-4 (20)
BEGIN APPROACH



162+00



163+00

SCALE IN FEET

STA. 162+00 TO STA. 163+50

PROJECT NAME:	CHARLOTTE
PROJECT NUMBER:	F EGC 019-4(20)
FILE NAME:	d78d062_xs.dgn
PROJECT LEADER:	K. UPMAL
DESIGNED BY:	B. KIPP
MAINLINE CROSS SECTIONS	88
PLOT DATE:	15-MAR-2016
DRAWN BY:	B. KIPP
CHECKED BY:	C. LEACH
SHEET	365 OF 499