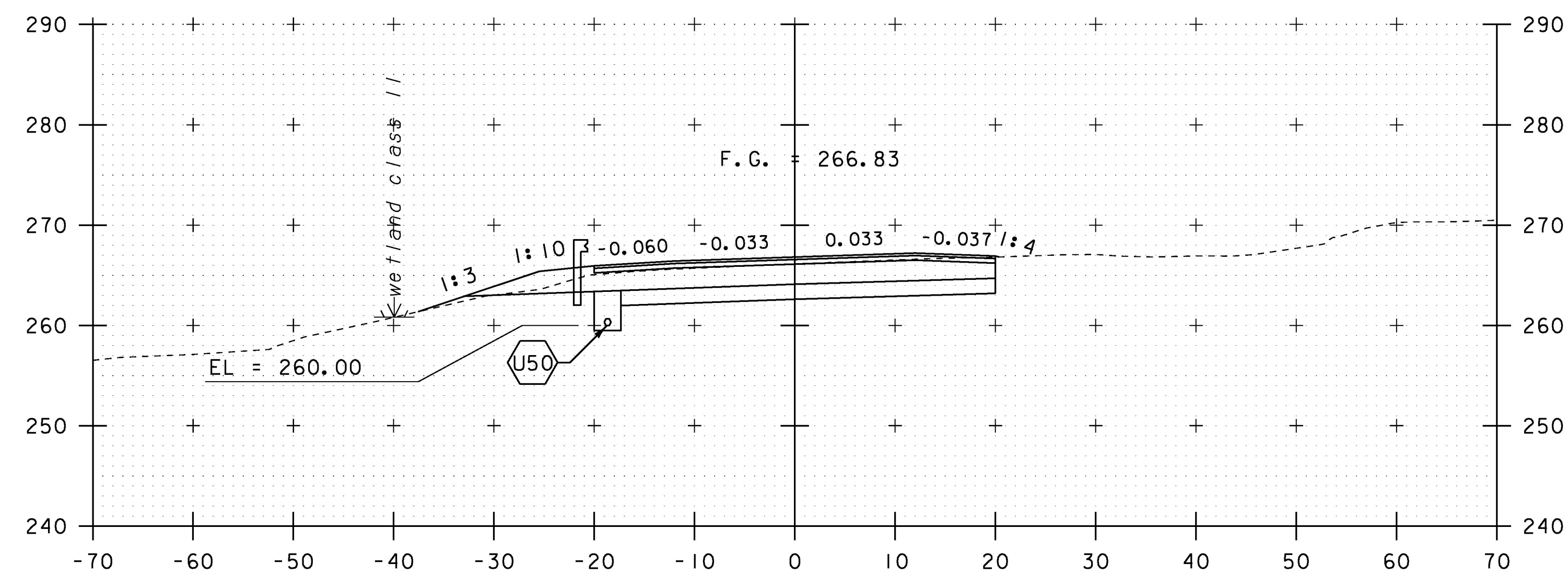
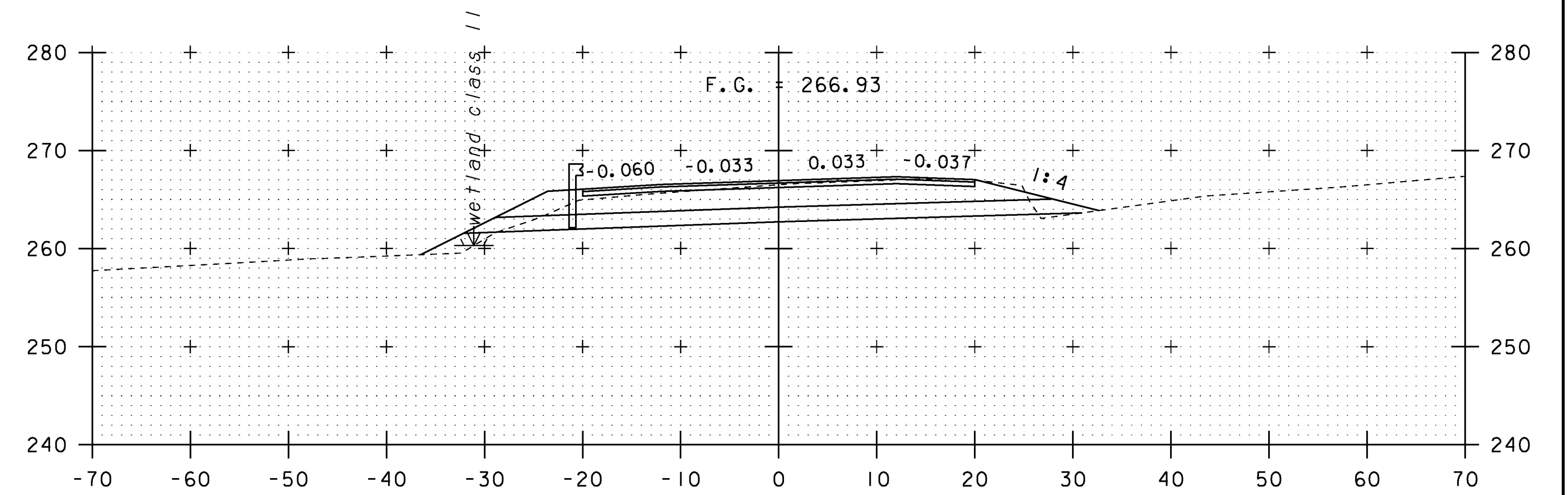


156+00



155+50



156+50

SCALE IN FEET

STA. 155+50 TO STA. 156+50

PROJECT NAME: CHARLOTTE	PLOT DATE: 15-MAR-2016
PROJECT NUMBER: F EGC 019-4(20)	DRAWN BY: B. KIPP
FILE NAME: d78d062_xs.dgn	CHECKED BY: C. LEACH
PROJECT LEADER: K. UPMAL	SHEET 361 OF 499
DESIGNED BY: B. KIPP	MAINLINE CROSS SECTIONS 84