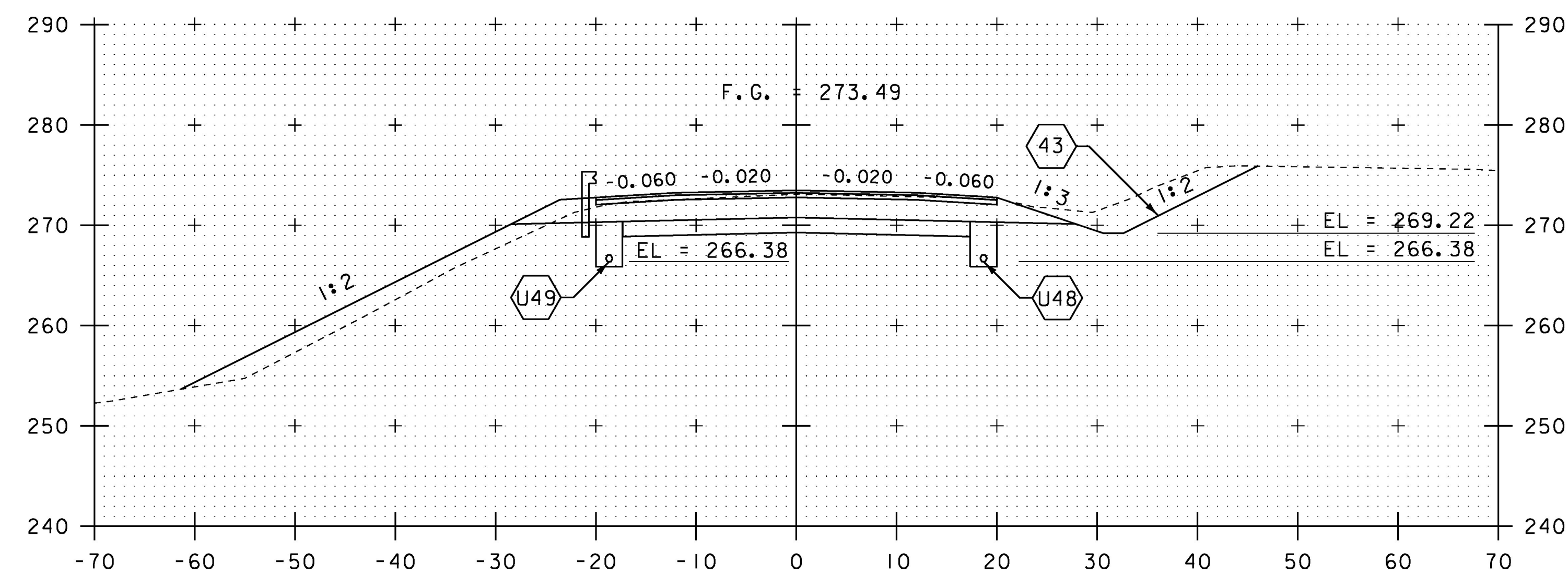
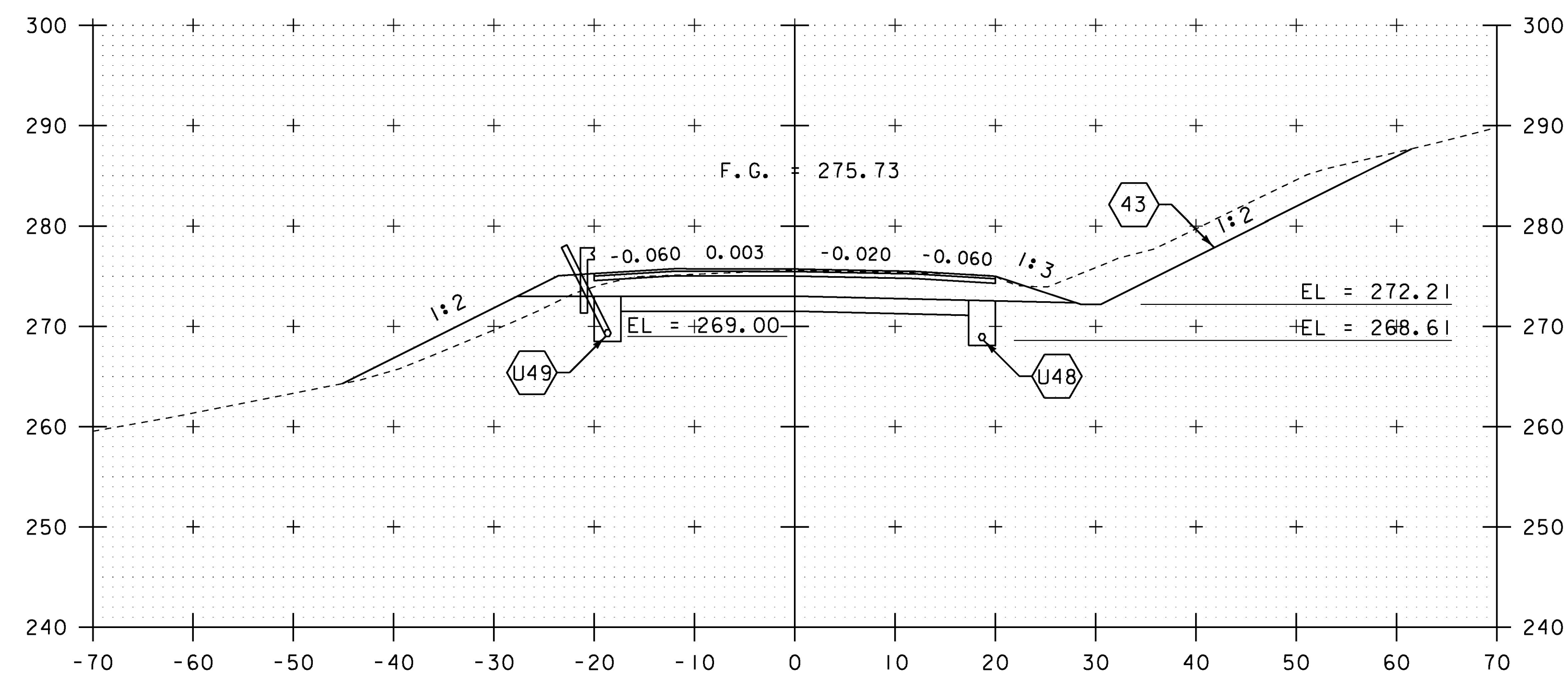


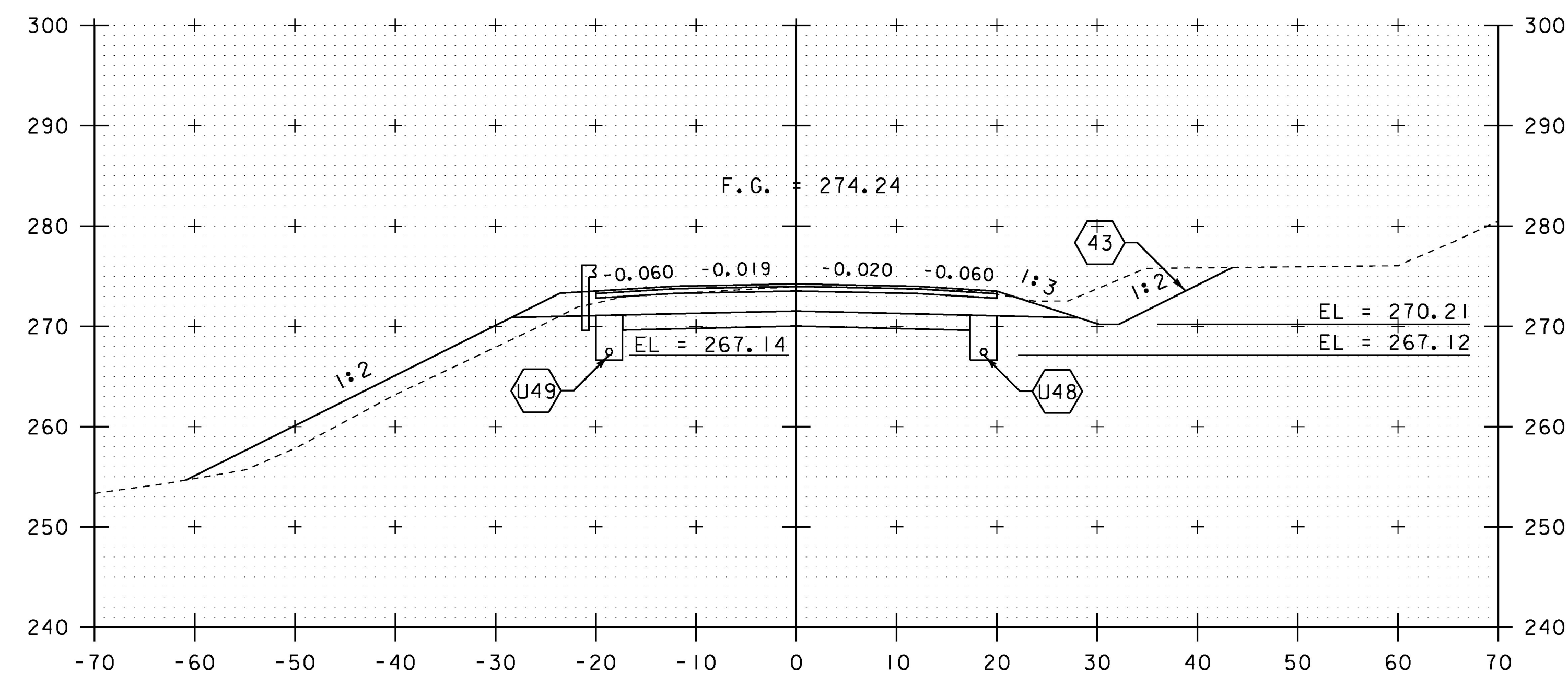
146+50



147+50



146+00



147+00

SCALE IN FEET

STA. 146+00 TO STA. 147+50

PROJECT NAME:	CHARLOTTE
PROJECT NUMBER:	F EGC 019-4(20)
FILE NAME:	d78d062_xs.dgn
PROJECT LEADER:	K. UPMAL
DESIGNED BY:	B. KIPP
MAINLINE CROSS SECTIONS	78
PLOT DATE:	15-MAR-2016
DRAWN BY:	B. KIPP
CHECKED BY:	C. LEACH
SHEET	355 OF 499