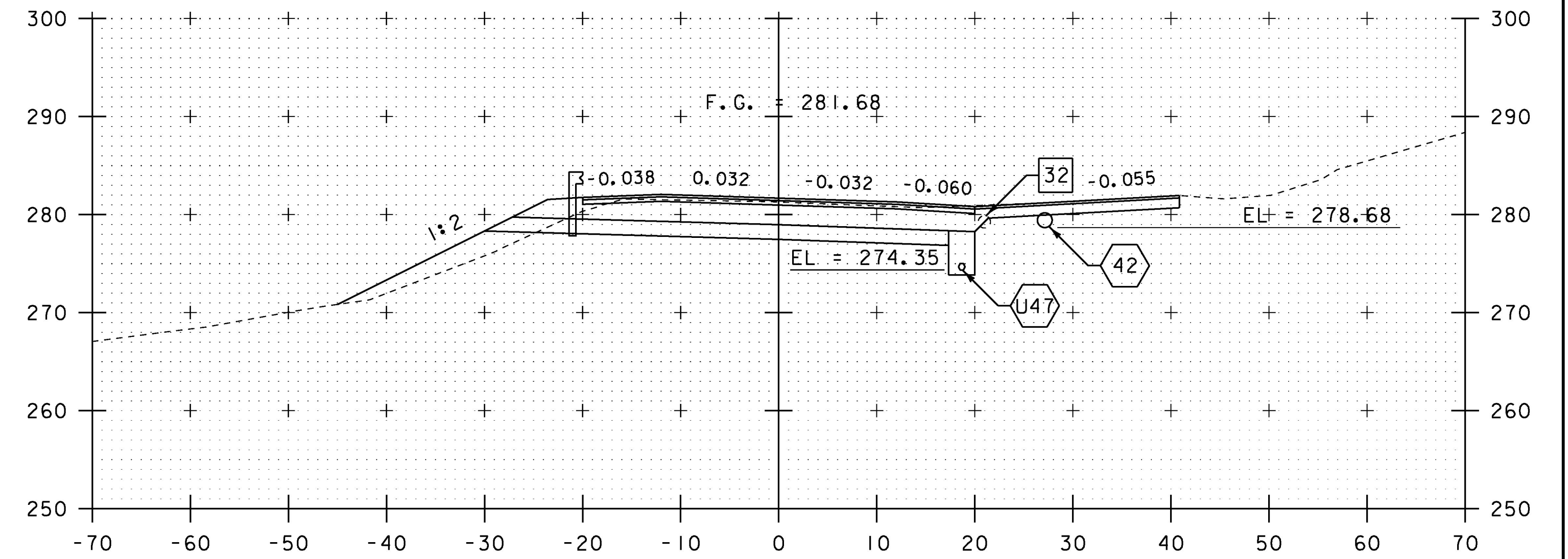
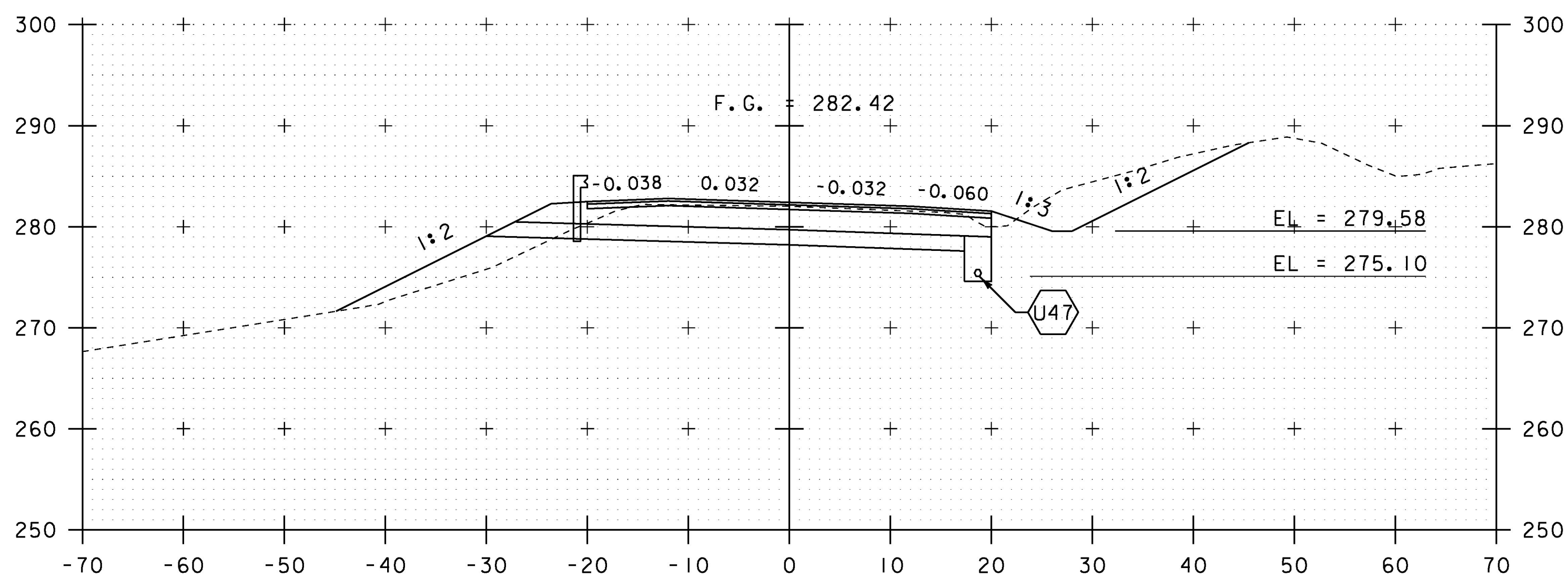


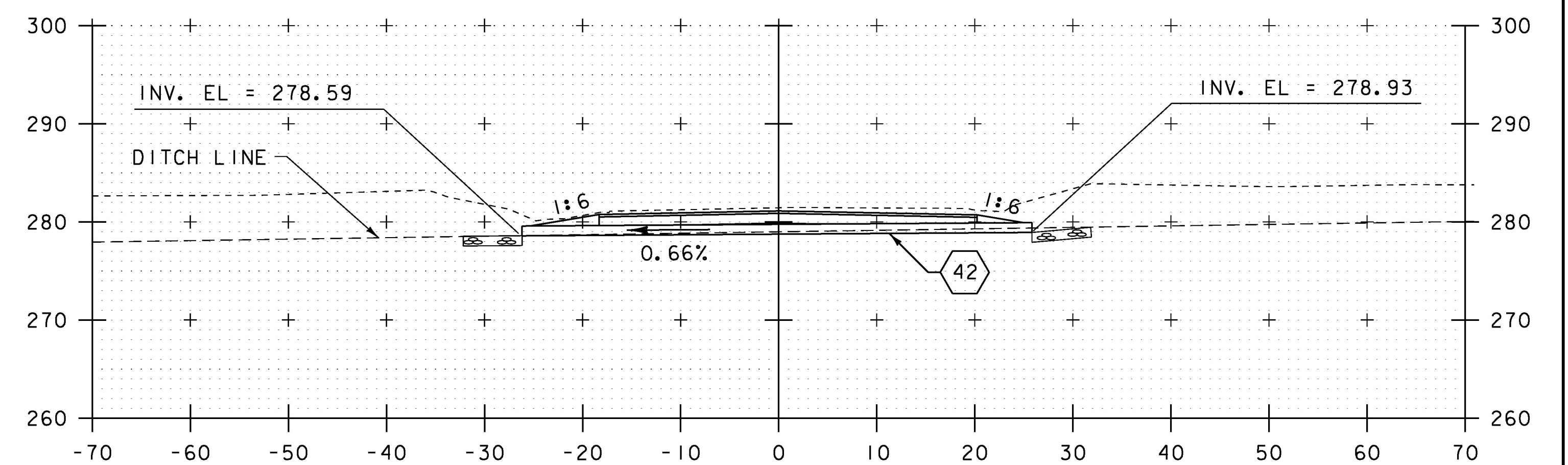
141+86 DRIVE RT (RIDGE RD.)



142+00



141+50



141+86 DRIVE RT SECTION A-A

SCALE IN FEET

STA. 141+50 TO STA. 142+00

PROJECT NAME: CHARLOTTE	
PROJECT NUMBER: F EGC 019-4(20)	
FILE NAME: d78d062_xs.dgn	PLOT DATE: 15-MAR-2016
PROJECT LEADER: K. UPMAL	DRAWN BY: B. KIPP
DESIGNED BY: B. KIPP	CHECKED BY: C. LEACH
MAINLINE CROSS SECTIONS 75	SHEET 352 OF 499