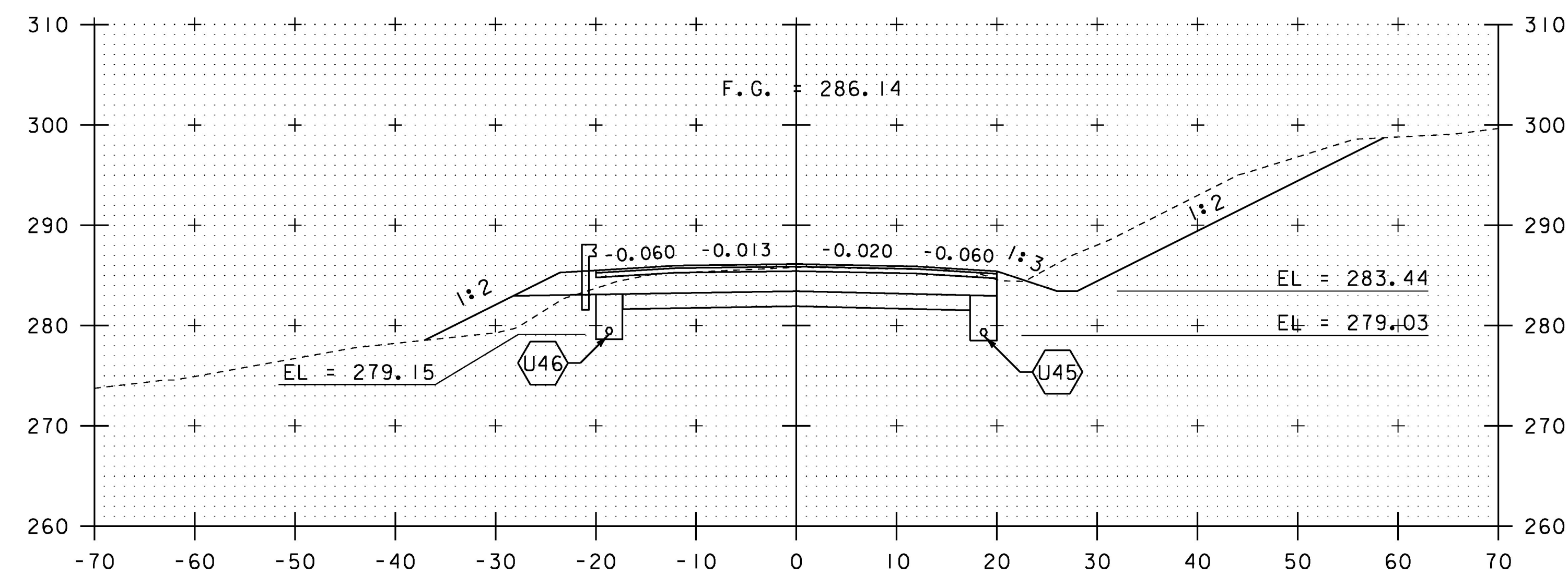
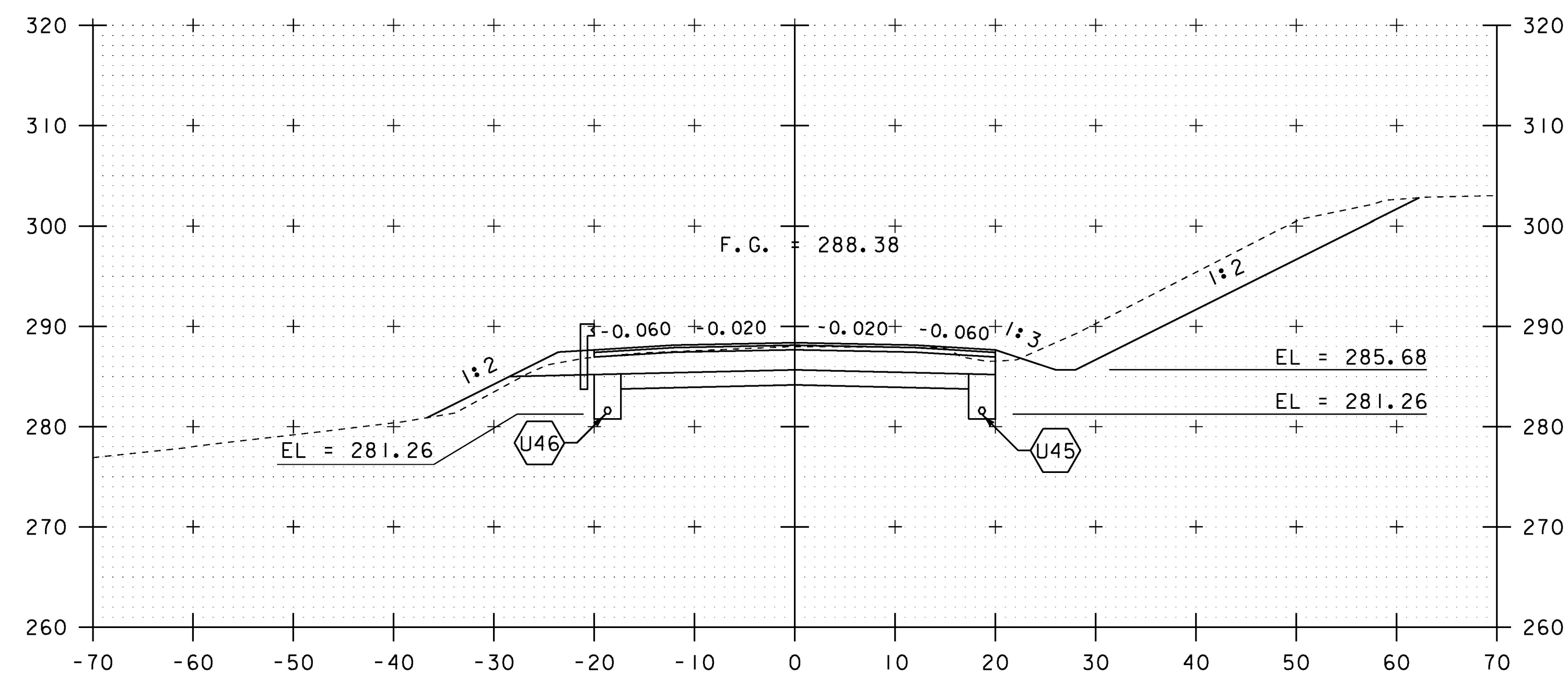


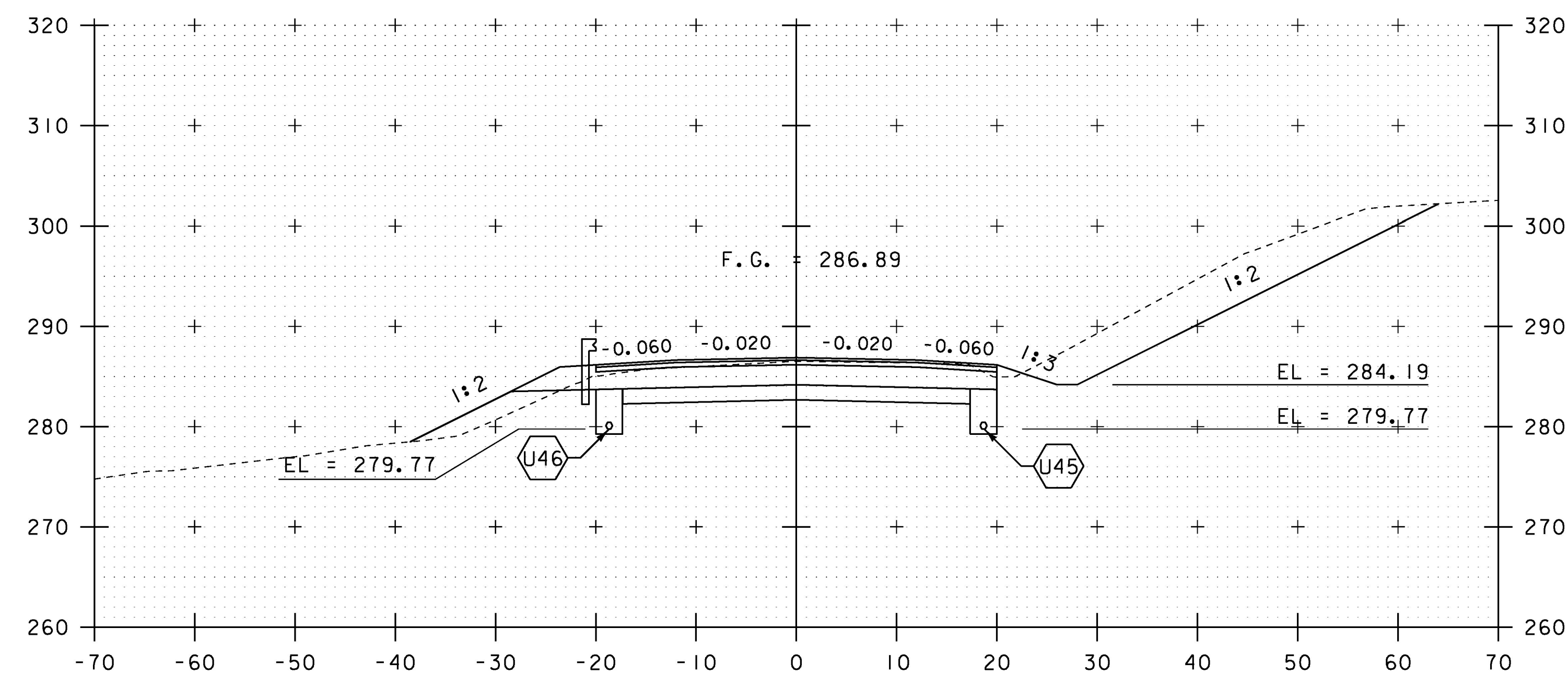
138+00



139+00



137+50



138+50

SCALE IN FEET

STA. 137+50 TO STA. 139+00

PROJECT NAME: CHARLOTTE	PLOT DATE: 15-MAR-2016
PROJECT NUMBER: F EGC 019-4(20)	DRAWN BY: B. KIPP
FILE NAME: d78d062_xs.dgn	CHECKED BY: C. LEACH
PROJECT LEADER: K. UPMAL	SHEET 350 OF 499
DESIGNED BY: B. KIPP	
MAINLINE CROSS SECTIONS 73	