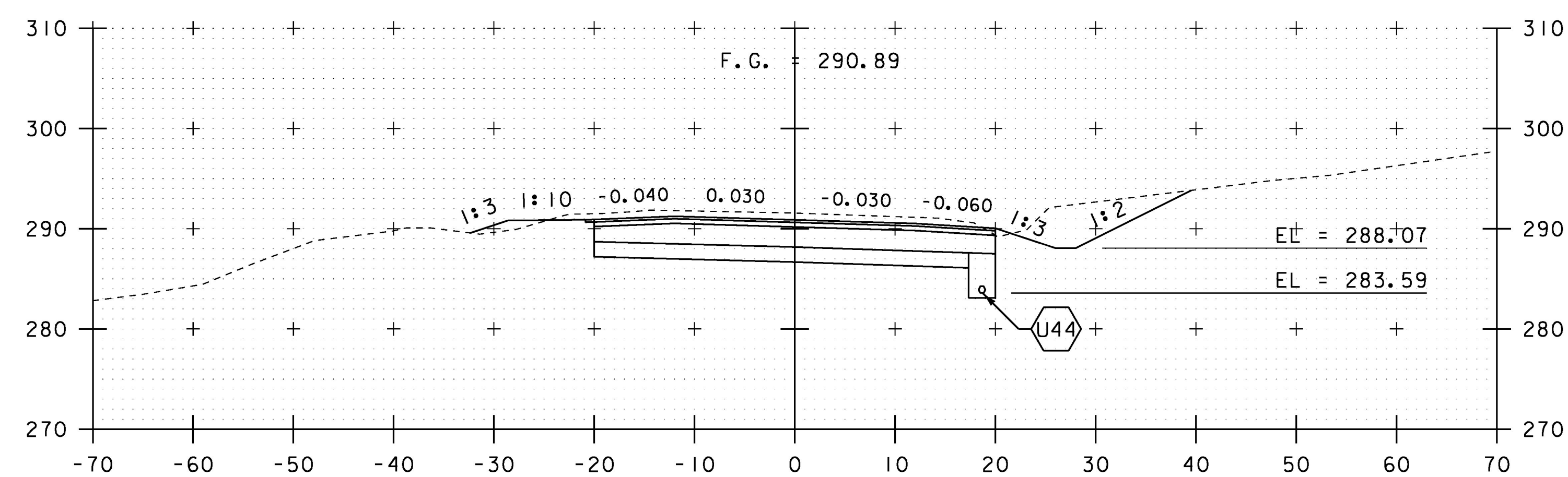
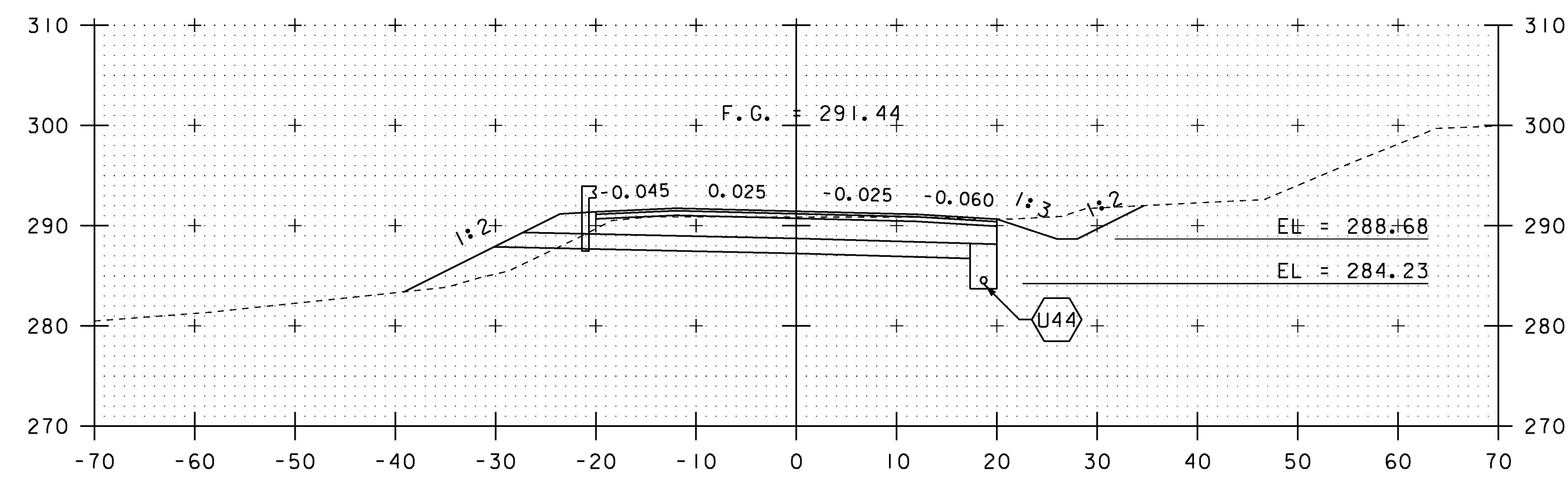


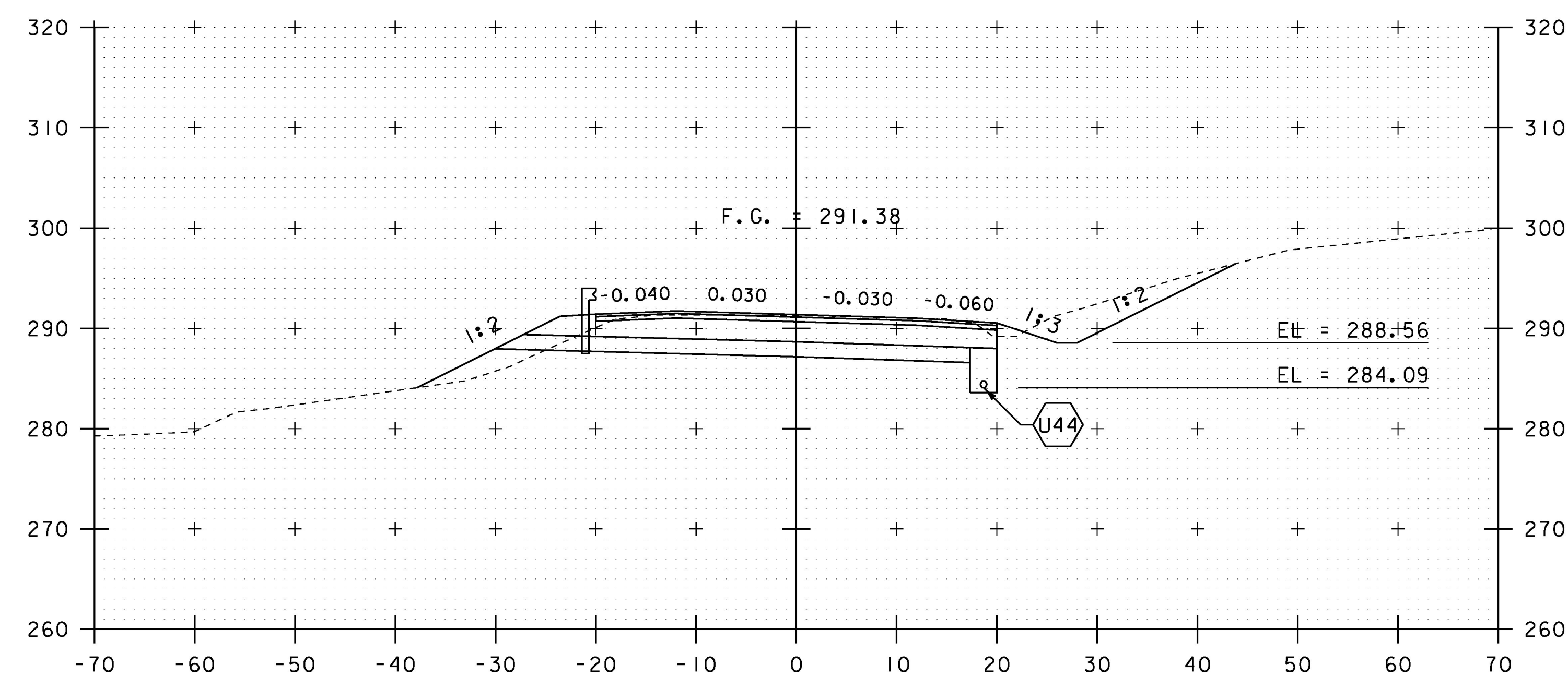
133+00



132+50



134+00



133+50

SCALE IN FEET

STA. 132+50 TO STA. 134+00

PROJECT NAME:	CHARLOTTE	PLOT DATE:	15-MAR-2016
PROJECT NUMBER:	F EGC 019-4(20)	DRAWN BY:	B. KIPP
FILE NAME:	d78d062_xs.dgn	CHECKED BY:	C. LEACH
PROJECT LEADER:	K. UPMAL	DESIGNED BY:	B. KIPP
DESIGNED BY:	B. KIPP	MAINLINE CROSS SECTIONS 70	SHEET 347 OF 499