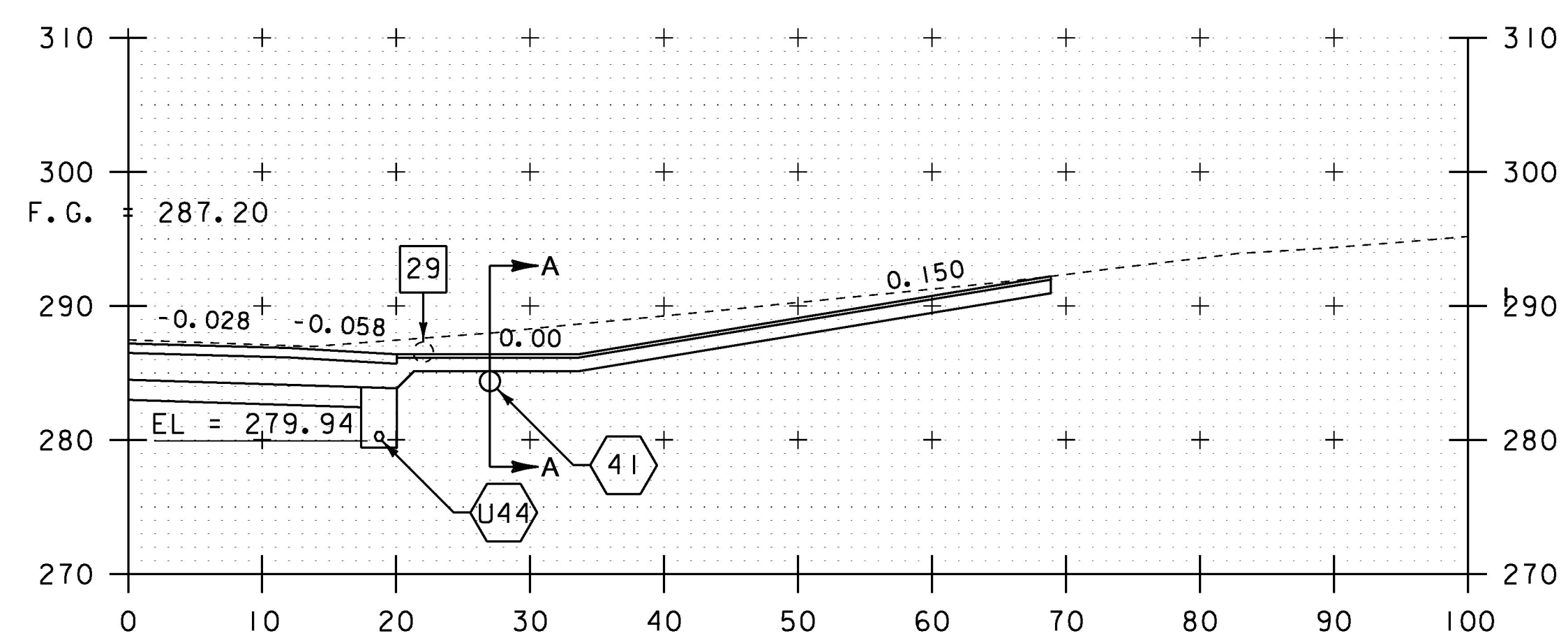
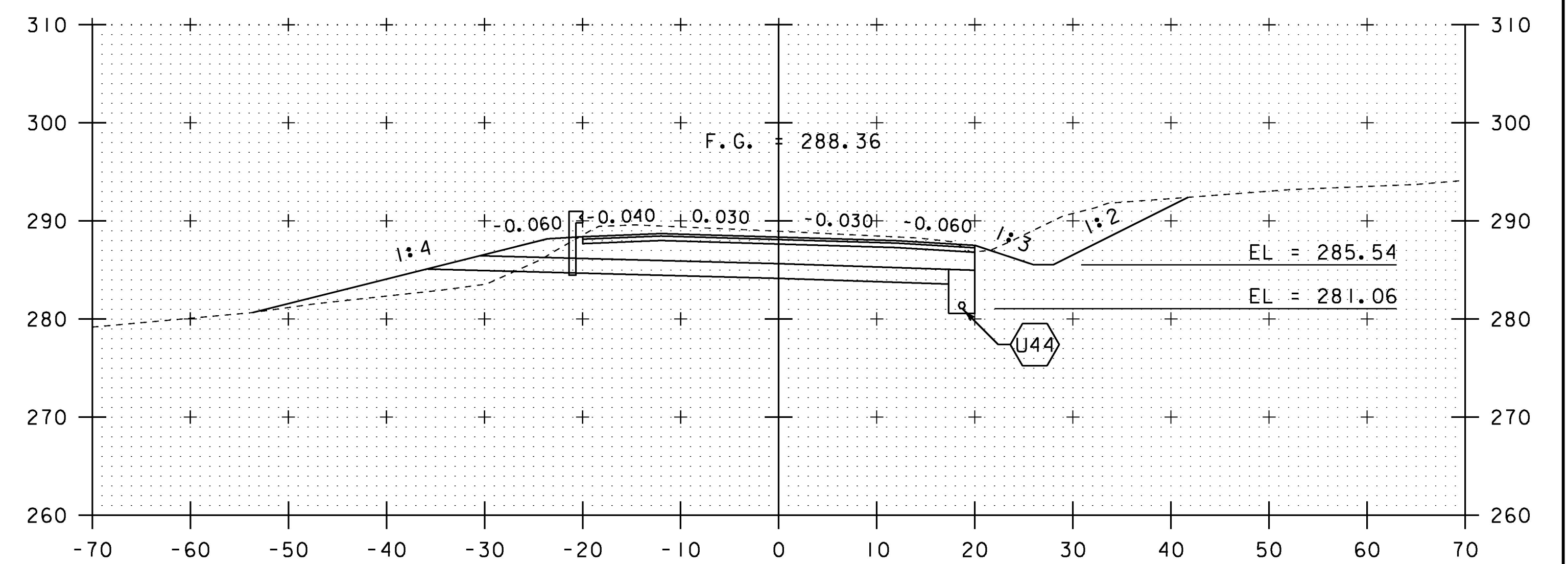


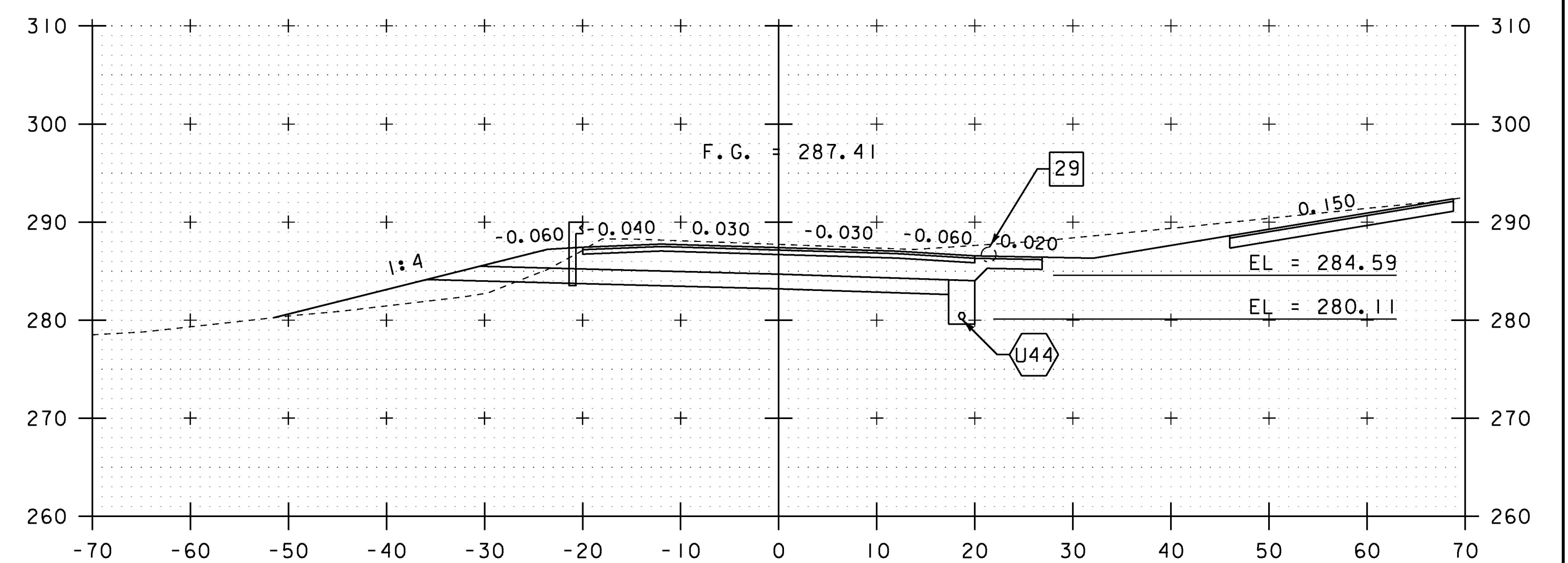
129+90 DRIVE RT SECTION A-A



129+90 DRIVE RT
SKEWED 33° 19' 14.16" RT



130+50



130+00

SCALE IN FEET

STA. 129+90 TO STA. 130+50

PROJECT NAME: CHARLOTTE	PLOT DATE: 15-MAR-2016
PROJECT NUMBER: F EGC 019-4(20)	DRAWN BY: B. KIPP
FILE NAME: d78d062_xs.dgn	CHECKED BY: C. LEACH
PROJECT LEADER: K. UPMAL	SHEET 343 OF 499
DESIGNED BY: B. KIPP	
MAINLINE CROSS SECTIONS 66	