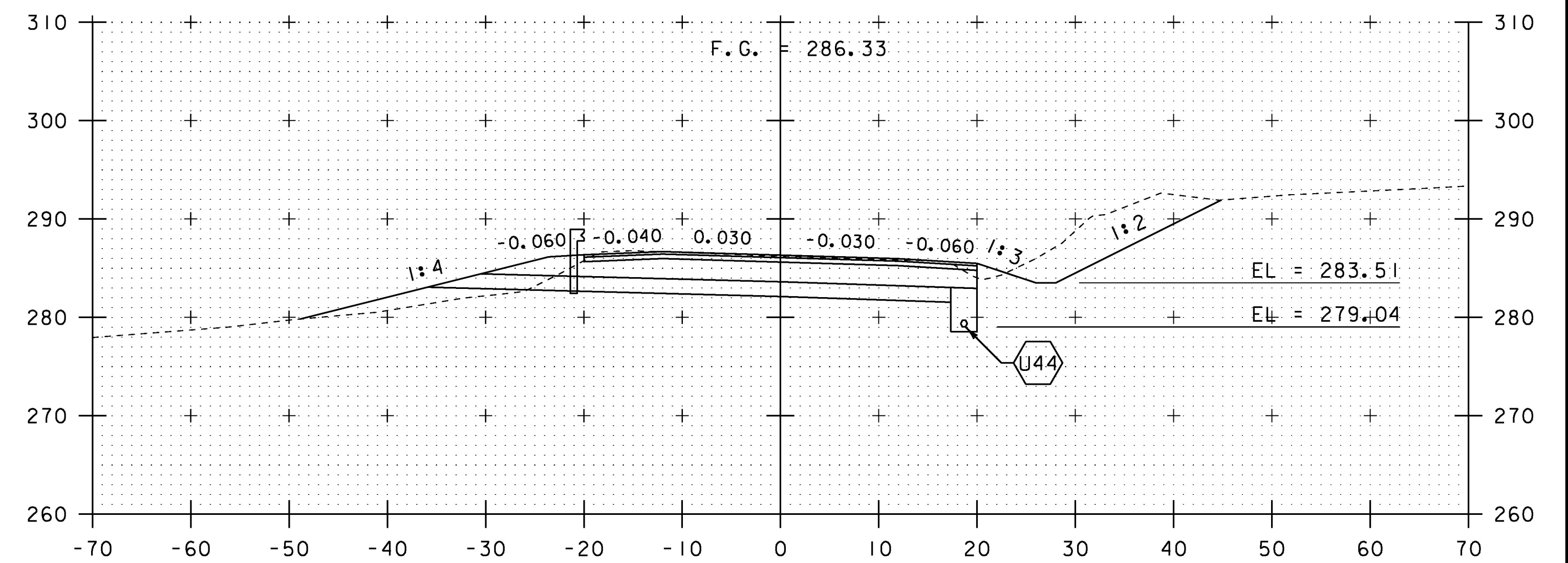
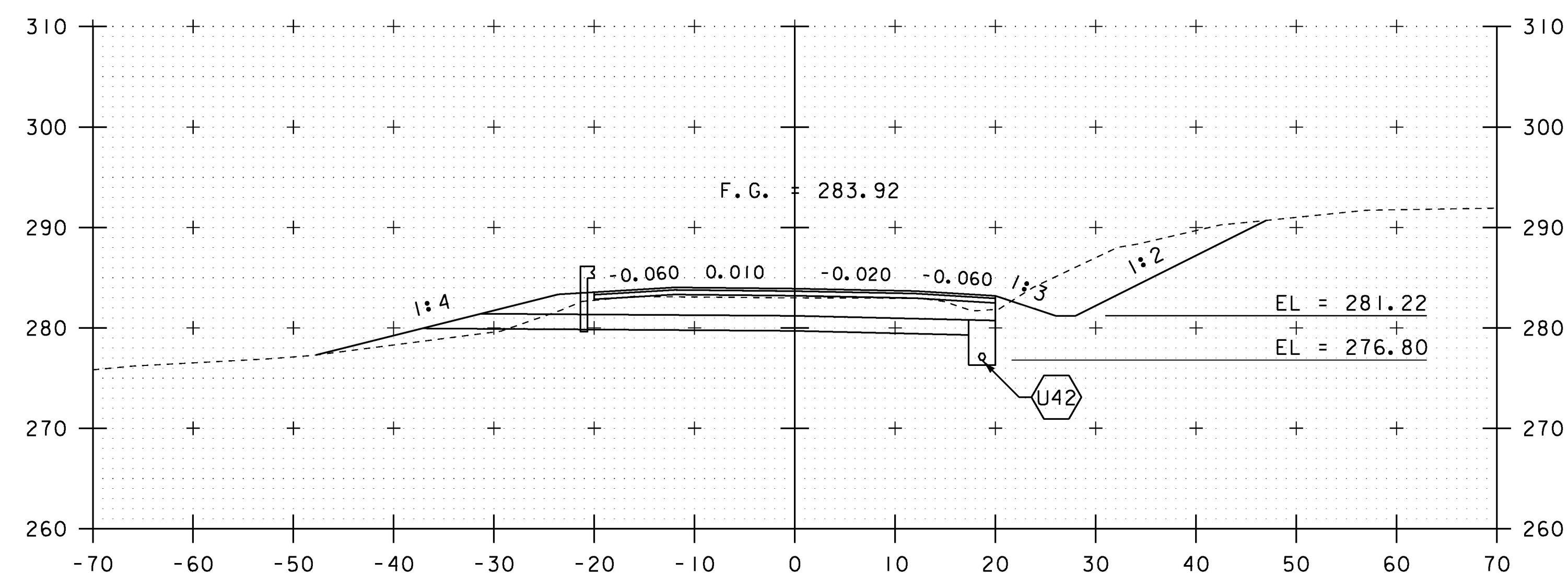


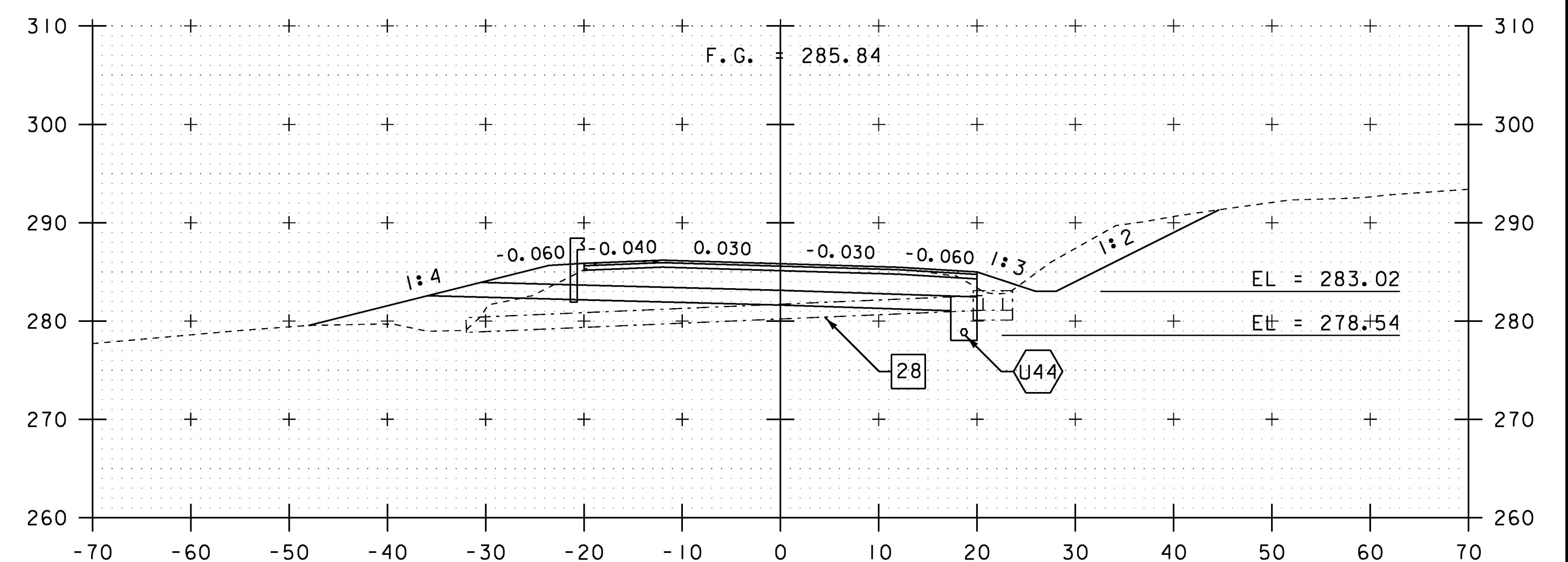
129+00



129+50



128+50



129+29

SCALE IN FEET

STA. 128+50 TO STA. 129+50

PROJECT NAME:	CHARLOTTE	PLOT DATE:	15-MAR-2016
PROJECT NUMBER:	F EGC 019-4(20)	DRAWN BY:	B. KIPP
FILE NAME:	d78d062_xs.dgn	CHECKED BY:	C. LEACH
PROJECT LEADER:	K. UPMAL	MAINLINE CROSS SECTIONS	65
DESIGNED BY:	B. KIPP	SHEET	342 OF 499